

# AXIOM-DV-3 (3 Lower Warmers)

16.8" x 22.1" x 16.3"  
(42.7cm x 56.1cm x 41.4cm)



 Servers and airpots sold separately

- Adjusts automatically to varying water pressure
- Automatic warmer shut-off
- For high lime areas, BrewLOGIC® technology calculates flow rate and adjusts brew time to maintain consistent pot levels
- Electronic diagnostics and built-in tank drain make service easier
- Ensure coffee quality with programming for brew level, cold brew lock-out and tank temperature, set easily from the front of the machine
- Coffee extraction controlled with programmable pre-infusion, pulse brew and digital temperature control
- Large 200oz. (5.9L) tank provides back-to-back brewing capacity
- Energy-saver mode reduces tank temperature during idle periods
- Hot water faucet
- SplashGard® funnel deflects hot liquids away from the hand
- Dual voltage adaptable (Can operate at 120V/15 amp or 120/208-240V/20 amp)

Agency:



## Specifications

**Product #:** 38700.0009

**Warmers:** Three Lower

**Water Access:** Plumbed

**Finish:** Stainless

**Funnel:** Black Plastic

**Faucet:** Upper

## Additional Features

DBC

## Electrical & Capacity

Volts	Amps	Watts	Cord Attached	Plug Type	8oz cups/hr 236ml cups/hr	Input H <sub>2</sub> O Temp.	Phase	# Wires plus Ground	Hertz
120	15	1800	Yes	NEMA 5-15P	67	60°F (15.5°C)	1	2	60
120/208	16	2980	-	N/A	-	60°F (15.5°C)	1	3	60
120/240	18	3850	-	N/A	-	60°F (15.5°C)	1	3	60

## Plumbing Requirements

PSI	kPa	Fitting Supplied	Water Flow Required (GPM)
20-90	138-621	1/4" Male Flare Fitting	-

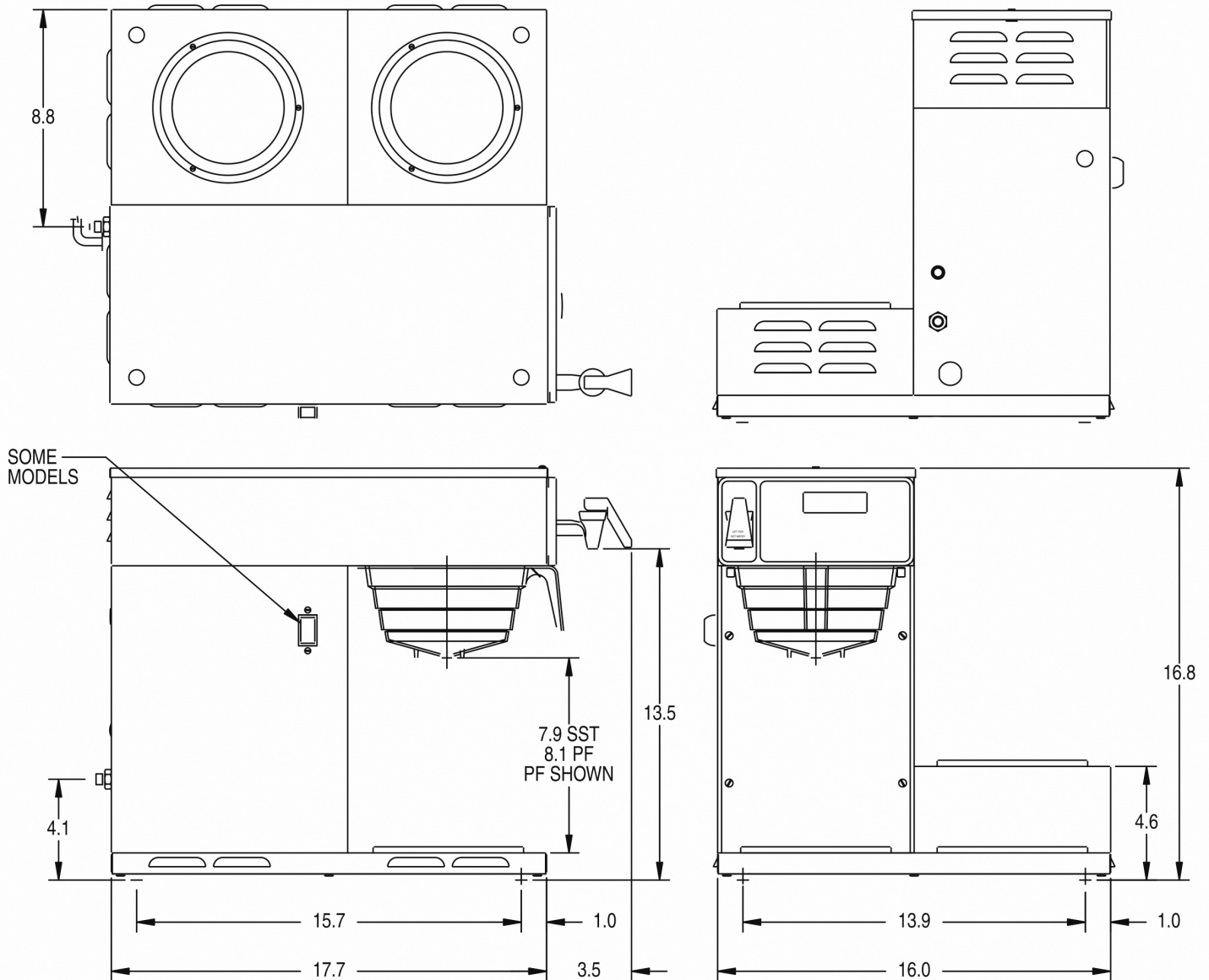
## CAD Drawings

2D	Revit	KLC
●		



BUNN® reserves the right to change specifications and product design without notice. Such revisions do not entitle the buyer to corresponding changes, improvements, additions or replacements for previously purchased equipment. For most current specifications and other info visit [bunn.com](http://bunn.com).

Created on:  
09/13/2017



	Unit			Shipping				
	Width	Height	Depth	Width	Height	Depth	Weight	Volume
English	16.3 in.	16.8 in.	22.1 in.	19.9 in.	22.4 in.	25.8 in.	38.100 lbs	5.939 ft <sup>3</sup>
Metric	41.4 cm	42.7 cm	56.1 cm	50.5 cm	56.9 cm	65.5 cm	17.282 kgs	0.168 m <sup>3</sup>



BUNN® reserves the right to change specifications and product design without notice. Such revisions do not entitle the buyer to corresponding changes, improvements, additions or replacements for previously purchased equipment. For most current specifications and other info visit [bunn.com](http://bunn.com).

Created on:  
09/13/2017

## Related Products & Accessories: AXIOM-DV-3 (3 Lower Warmers)(38700.0009)



FILTERS,REGULAR1M  
500/2 50/CL

Product #: 20115.0000



PAPEL FILTRANTE

Product #: 20115.0000



FUNNEL W/DECALS,  
BLACK PLASTIC

Product #: 20583.0003



EMBUDOS

Product #: 20583.0003



WATER FILTER  
SYSTEM,EQ-17-TL

Product #: 30200.1000



WATER FILTER,IN LINE  
ED-17-TL

Product #: 30201.1001



BUNN® reserves the right to change specifications and product design without notice. Such revisions do not entitle the buyer to corresponding changes, improvements, additions or replacements for previously purchased equipment. For most current specifications and other info visit [bunn.com](http://bunn.com).

Created on:  
09/13/2017

# Serving & Holding Options: AXIOM-DV-3 (3 Lower Warmers)(38700.0009)



EASY POUR,(BLK) 1/CS

Product #:06100.0101



EASY POUR,(BLK) 2/CS

Product #:06100.0102



JARRAS

Product #:06100.0102



EASY POUR,(BLK) 3/CS

Product #:06100.0103



JARRAS

Product #:06100.0103



EASY POUR,(BLK) 6/CS

Product #:06100.0106



JARRAS

Product #:06100.0106



EASY POUR,(BLK) 12/CS

Product #:06100.0112



EASY POUR,(BLK) 24/CS

Product #:06100.0124



EASY POUR,(BLK) 6-1/2 CS

Product #:06100.0156



EASY POUR,(ORN) 1/CS

Product #:06101.0101



EASY POUR,(ORN) 2/CS

Product #:06101.0102



JARRAS

Product #:06101.0102



EASY POUR,(ORN) 3/CS

Product #:06101.0103



EASY POUR,(ORN) 6/CS

Product #:06101.0106



JARRAS

Product #:06101.0106



EASY POUR,(ORN) 12/CS

Product #:06101.0112



EASY POUR,(ORN) 24/CS

Product #:06101.0124



DECANTER,GLASS-BLK  
12C 24/CS

Product #:42400.0024



DECANTER,GLASS-BLK  
12CUP 1PK

Product #:42400.0101



BUNN® reserves the right to change specifications and product design without notice. Such revisions do not entitle the buyer to corresponding changes, improvements, additions or replacements for previously purchased equipment. For most current specifications and other info visit [bunn.com](http://bunn.com).

Created on:  
09/13/2017

## Serving & Holding Options: AXIOM-DV-3 (3 Lower Warmers)(38700.0009)



DECANTER, GLASS-BLK  
12C 3/CS

Product #:42400.0103



DECANTER, GLASS-ORN  
12C 24/CS

Product #:42401.0024



DECANTER, GLASS-  
ORN 12 CUP 1PK

Product #:42401.0101



DECANTER, GLASS-ORN  
12C 3/CS

Product #:42401.0103



BUNN® reserves the right to change specifications and product design without notice. Such revisions do not entitle the buyer to corresponding changes, improvements, additions or replacements for previously purchased equipment. For most current specifications and other info visit [bunn.com](http://bunn.com).

Created on:  
09/13/2017