

# ICB-DV

26.8" x 22.0" x 10.0"  
(68.1cm x 55.9cm x 25.4cm)



 Servers Sold Separately

- Sleek modernized design language, with rounded angles on the corners and trunk
- Digital readout displays in English, Spanish, or French ---for easier programming and control--- and can show either 'Standard' or Metric measurements. Digital readout also shows machine status, and targeted advertising messages can be programmed for display.
- BUNN Infusion Series technology allows for multiple recipes from one footprint --- with three brew buttons and two batch sizes
- Energy-saver mode reduces tank temperature during idle periods
- Exclusive Peak Extraction™ Sprayhead is multi-directional with a 17-hole design to ensure ultimate uniformity of extraction
- Electronic funnel lock prevents removal of each brew funnel until drip- through is complete
- USB programming capable
- Brew counter keeps track of how many batches are brewed
- Pre-infusion and pulse brew for maximum flavor extraction. Cold brew lockout & digital temperature control further ensure top-notch brewing.
- Hot water faucet (supplied for custom installation)
- Dual voltage adaptable (Can operate at 120V/15 amp or 120/208-240V/20 amp)

Agency:



## Specifications

**Product #:** 53100.0100

**Water Access:** Plumbed

**Interface:** Wireless

**Finish:** Stainless

**Funnel:** Black Plastic

## Additional Features

BrewWISE

## Electrical & Capacity

Volts	Amps	Watts	Cord Attached	Plug Type	8oz cups/hr 236ml cups/hr	Input H <sub>2</sub> O Temp.	Phase	# Wires plus Ground	Hertz
120	14	1700	Yes	NEMA 5-15P	82	60°F (15.5°C)	1	2	60
120/208	14	2900	-	N/A	136	60°F (15.5°C)	1	3	60
120/240	17	4050	-	N/A	181	60°F (15.5°C)	1	3	60

## Plumbing Requirements

PSI	kPa	Fitting Supplied	Water Flow Required (GPM)
20-90	138-621	3/8" Male Flare Fitting	1.00

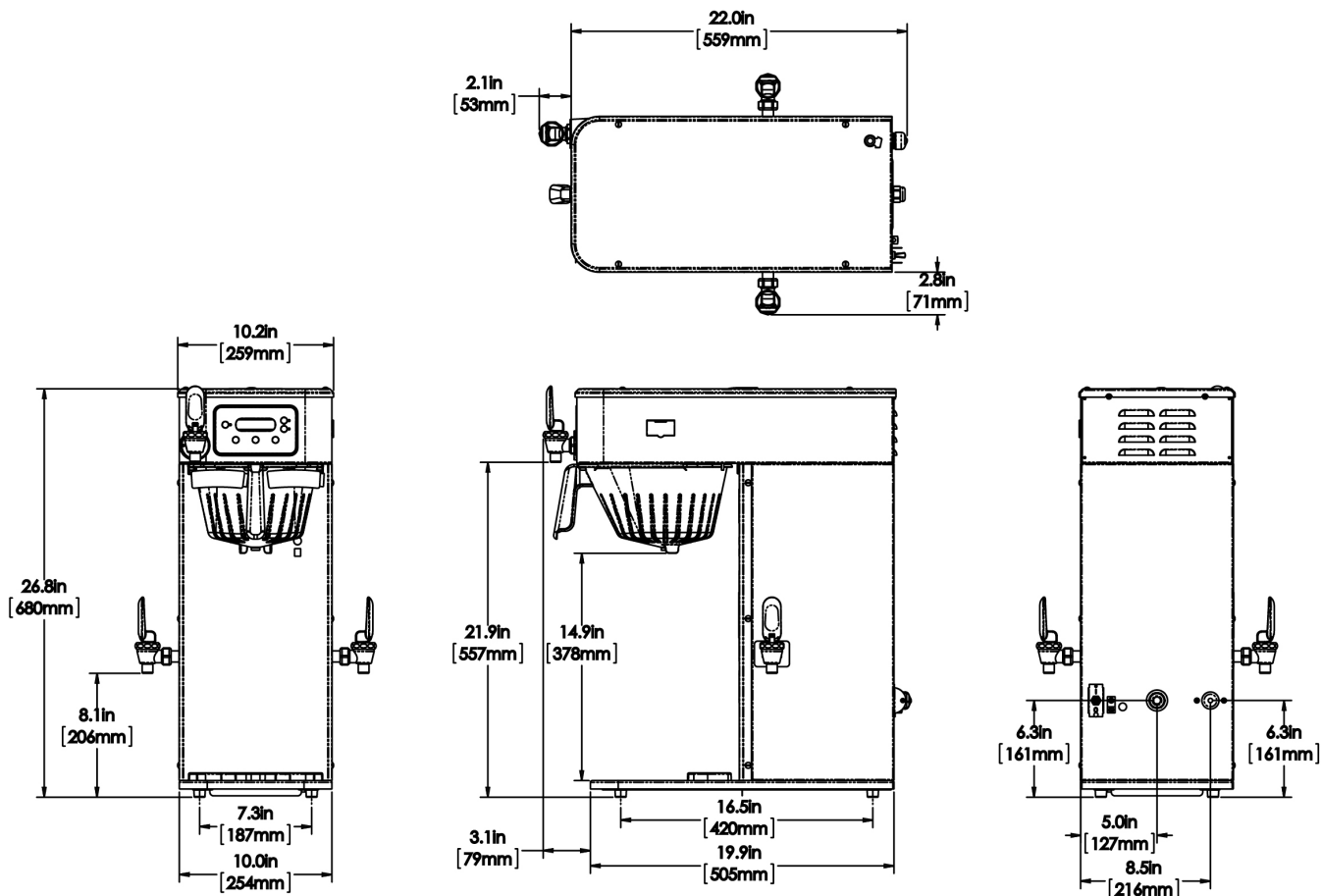
## CAD Drawings

2D	Revit	KLC
●		



BUNN® reserves the right to change specifications and product design without notice. Such revisions do not entitle the buyer to corresponding changes, improvements, additions or replacements for previously purchased equipment. For most current specifications and other info visit [bunn.com](http://bunn.com).

Created on:  
11/07/2018



	Unit			Shipping				
	Width	Height	Depth	Width	Height	Depth	Weight	Volume
English	10.0 in.	26.8 in.	22.0 in.	13.5 in.	34.5 in.	27.0 in.	46.860 lbs	3.363 ft <sup>3</sup>
Metric	25.4 cm	68.1 cm	55.9 cm	34.3 cm	87.6 cm	68.6 cm	21.256 kgs	0.095 m <sup>3</sup>



BUNN® reserves the right to change specifications and product design without notice. Such revisions do not entitle the buyer to corresponding changes, improvements, additions or replacements for previously purchased equipment. For most current specifications and other info visit [bunn.com](http://bunn.com).

Created on:  
11/07/2018

Related Products & Accessories:ICB-DV(53100.0100)



FILTERS, GOURMET 500  
500/1 50/CL

Product #: 20138.1000



WATER FILTER,  
EQHP-10L

Product #: 39000.0001



WATER FILTER,  
EQHP-10

Product #: 39000.0004



STAND ASSY, TF  
SERVER

Product #: 39795.0003



BUNN® reserves the right to change specifications and product design without notice. Such revisions do not entitle the buyer to corresponding changes, improvements, additions or replacements for previously purchased equipment. For most current specifications and other info visit [bunn.com](http://bunn.com).

Created on:  
11/07/2018

# Serving & Holding Options: ICB-DV(53100.0100)



AIRPOT, 2.5L GL PB  
SINGLE PK

Product #:13041.0001



AIRPOT, 2.5L GL PB 6/  
CASE

Product #:13041.0101



AIRPOT, 2.5L SST LA  
SINGLE PK

Product #:32125.0000



AIRPOT, 2.5L SST LA 6/  
CASE

Product #:32125.0100



AIRPOT, 3.0L SST LA  
SINGLE PK

Product #:32130.0000



AIRPOT, 3.0L SST LA 6/  
CASE

Product #:32130.0100



AIRPOT, 3.8L SST LA  
SINGLE PK

Product #:36725.0000



AIRPOT, 3.8L SST LA 6/  
CASE

Product #:36725.0100



STAND ASSY, TF  
SERVER

Product #:39795.0003



TF SERVER, DSG2 1G  
SST NOBASE

Product #:42700.0050



TF SERVER, DSG2 1G  
BLK NOBASE

Product #:42700.0051



TF SERVER, DSG2 1.5G  
SST NOBAS

Product #:42750.0050



TF SERVER, 1G/3.8L  
MECH NOBASE

Product #:44000.0050



TF SERVER, 1G/3.8L  
MECH BLK NOBASE

Product #:44000.0051



BUNN® reserves the right to change specifications and product design without notice. Such revisions do not entitle the buyer to corresponding changes, improvements, additions or replacements for previously purchased equipment. For most current specifications and other info visit [bunn.com](http://bunn.com).

Created on:  
11/07/2018