



STAINLESS STEEL  
SQUARE CORNER SINGLE COMPARTMENT SCULLERY

# BUDGET SINKS WITH 3-1/2" REAR DECK

"400" Series and "600" Series Stainless Steel



4-1-24D Shown



4-41-48D Shown

Item #: \_\_\_\_\_ Qty #: \_\_\_\_\_

Model #: \_\_\_\_\_

Project #: \_\_\_\_\_

**MATERIAL:**

"400" Series is 16 gauge type 430 Series Stainless Steel.

"600" Series is 16 gauge type 304 Series Stainless Steel.

14" bowl depth.

3-1/2" rear deck.

4" back splash.

3-1/2" basket drain.

Galvanized tubular legs.

1" adjustable plastic bullet feet.

**CONSTRUCTION:**

All heli-arc welded.

Welded areas blended to match adjacent surfaces and to a satin finish.

**MECHANICAL:**

Two Faucet holes on 8" O.C.

Waste drains are 1-1/2" IPS.

Faucet are not included (see accessories).



8" O.C. Deck Mount  
Faucet Holes Provided

A	B	C	Bowl Depth	"400" Series 16 Ga. S/S "430"	"600" Series 16 Ga. S/S "300"	Ship Weight
21"	18"	26"	14"	4-1-18D	6-1-18D	47 lbs.
21"	24"	26"	14"	4-1-24D	6-1-24D	53 lbs.
24"	24"	29"	14"	4-41-24D	6-41-24D	53 lbs.
24"	36"	29"	14"	4-41-36D	6-41-36D	66 lbs.
24"	48"	29"	14"	4-41-48D	6-41-48D	79 lbs.



Customer Service Available To Assist You 1-800-645-3166 8:30 am - 7:00 pm E.S.T.

For Orders & Customer Service:

Email: customer@advancetabco.com or Fax: 631-242-6900

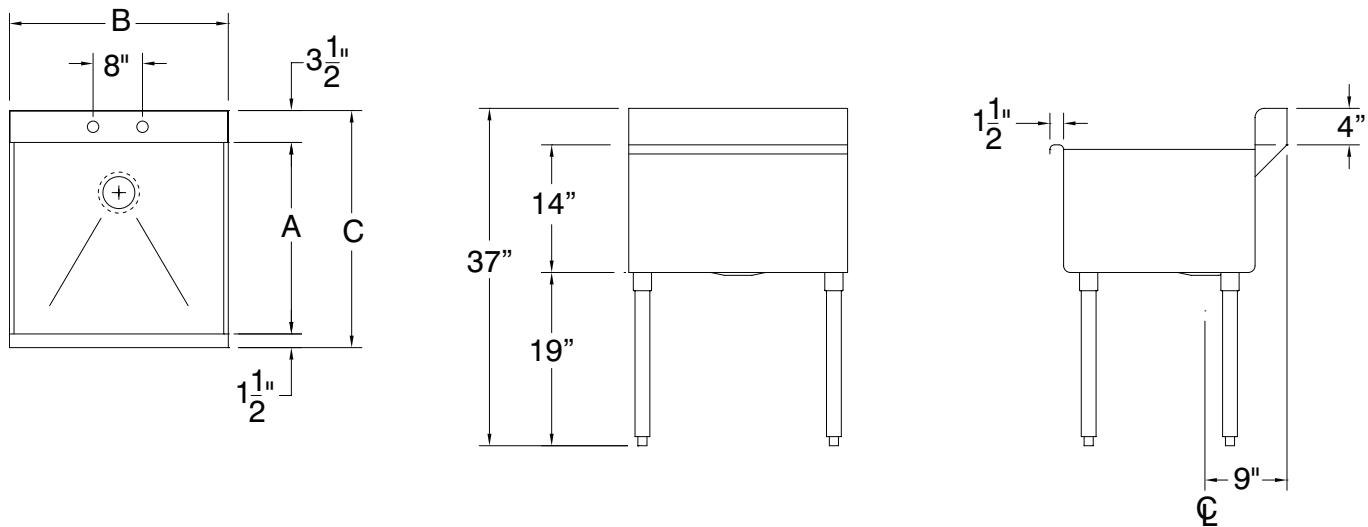
For Smart Fabrication™ Quotes:

Email: smartfab@advancetabco.com or Fax: 631-586-2933

# DIMENSIONS and SPECIFICATIONS

TOL Overall: ± .500" Interior: ± .250"

ALL DIMENSIONS ARE TYPICAL



## BUDGET SINK ACCESSORIES

### Detachable Drainboards



Click This Link  
To View  
Drainboard Specs



W x L	18 Ga. S/S "430"	Ship Weight
21" x 18"	<b>N-5-18</b>	11 lbs.
21" x 24"	<b>N-5-24</b>	12 lbs.
21" x 30"	<b>N-5-30</b>	22 lbs.
21" x 36"*	<b>N-5-36</b>	25 lbs.
21" x 48"*	<b>N-5-48</b>	28 lbs.
24" x 24"	<b>N-54-24</b>	18 lbs.
24" x 36"*	<b>N-54-36</b>	32 lbs.
24" x 48"*	<b>N-54-48</b>	36 lbs.

\*36" & 48" Drainboards are supplied with legs for support

### Stainless Steel Sink Covers For One Compartment Budget Sinks



Click This Link  
To View  
S/S Cover Specs



Stores Conveniently  
On Side Of Sink

Size	MODEL	Wt.
21" x 18"	<b>LSC-18</b>	19 lbs.
21" x 24"	<b>LSC-24</b>	20 lbs.
24" x 24"	<b>LSC-242</b>	22 lbs.
24" x 36"	<b>LSC-36</b>	23 lbs.
24" x 48"	<b>LSC-48</b>	24 lbs.

### Deck Mounted 8" O.C. Budget Sink Faucets

MODEL	Faucet Style
<b>K-127</b>	8" Deck Mt. Swing Spout
<b>K-128</b>	12" Deck Mt. Swing Spout
<b>K-129</b>	14" Deck Mt. Swing Spout

