

T&S BRASS AND BRONZE WORKS, INC.  
 2 SADDLEBACK COVE / P.O. BOX 1088 / TRAVELERS REST, SC 29690  
 PHONE 800-476-4103 - FAX 864- 834-3518



REG.#A2601  
 ISO #9001

Model No.

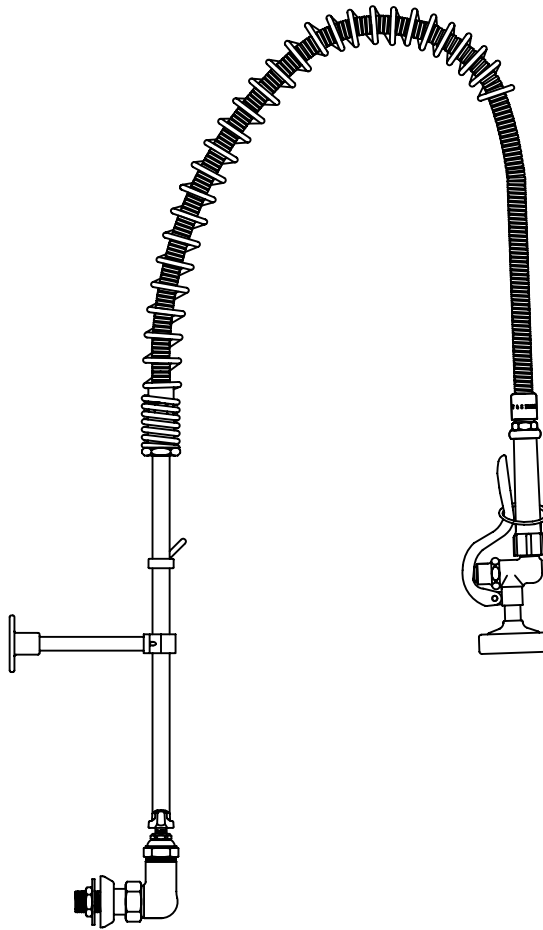
B-0133-EE-BM

**RELIABILITY  
 BUILT IN**

Job Name:

Architect/Engineer Approval:

Notes:



B-0133-EE-B  
 QUANTITY = 6

Product Description:

B-0133-EE-B Master Pack ( 6 UNITS )

Drawn:

DHL

Checked

JRM

Scale:

NTS

Approved

JHB

Date:

10/07/09