



**John
BOOS**
Since 1887

ITEM #: _____ QTY: _____
 MODEL #: _____
 PROJECT NAME: _____

032321

3601 S. Banker St. Effingham, IL 62401 • Ph: (888) 431-2667 • Fax: (800) 433-2667

"BR" GIFT COLLECTION - W/ FEET - EDGE GRAIN

1-1/2" THICK

FEATURES:

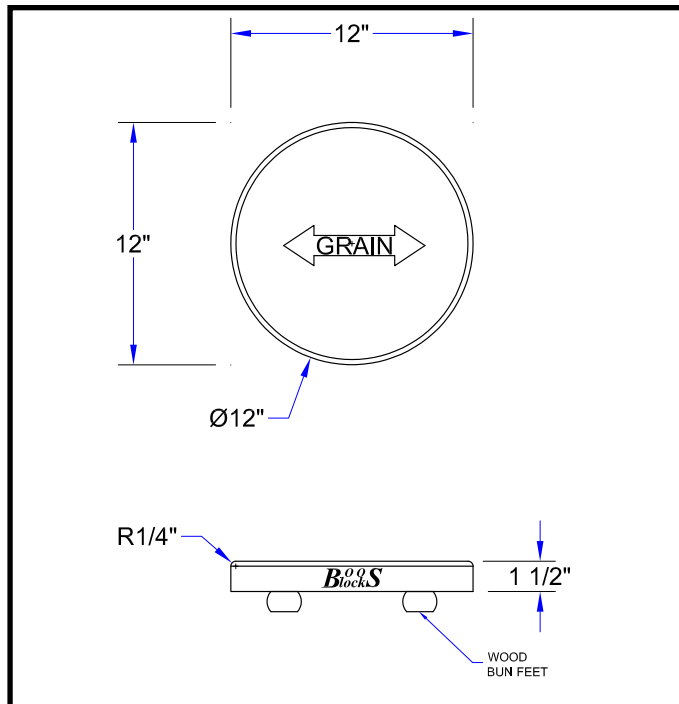
- NORTHERN HARD ROCK MAPLE OR AMERICAN BLACK WALNUT
- CIRCULAR CUTTING BOARD 1-1/2" THICK
- EDGE GRAIN CONSTRUCTION
- WOODEN BUN FEET
- OIL FINISH



B12R



WAL-B12R



GIFT COLLECTION - W/ FEET - EDGE GRAIN

MODEL #	DESCRIPTION	BOARD SIZE	WEIGHT (LBS)
B12R	MAPLE, W/ BUN FEET	12"DIA X 1-1/2"	6
WAL-B12R	WALNUT, W/ BUN FEET	12"DIA X 1-1/2"	4

SOME UNITS SHIP UNASSEMBLED FOR REDUCED SHIPPING COST. ALL DIMENSIONS ARE TYPICAL. TOLERANCE +/- .500"

John Boos & Co. is constantly engaged in a program of improving products and therefore reserves the right to change specifications without prior notice.



3601 S. Banker St. • Effingham, IL 62401 • quotes@johnboos.com