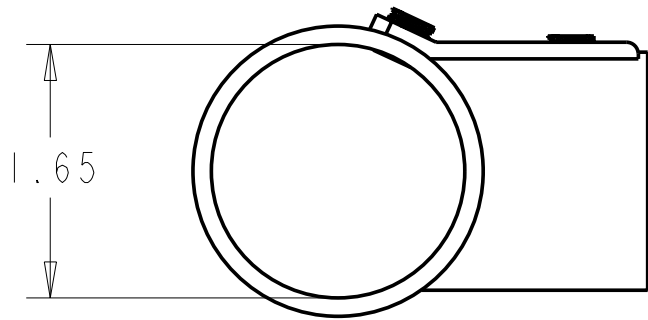
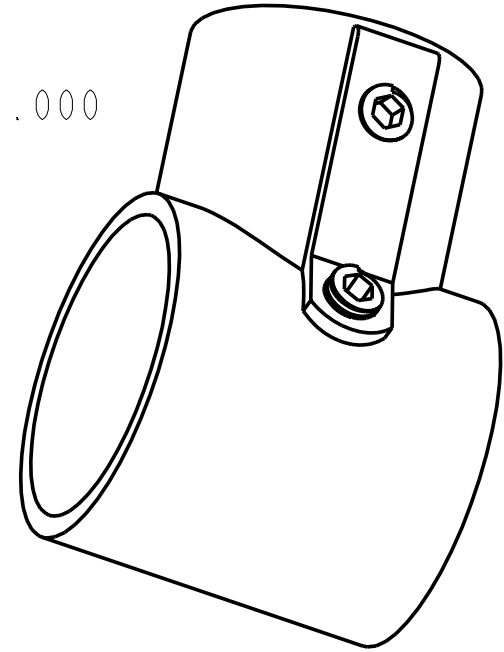
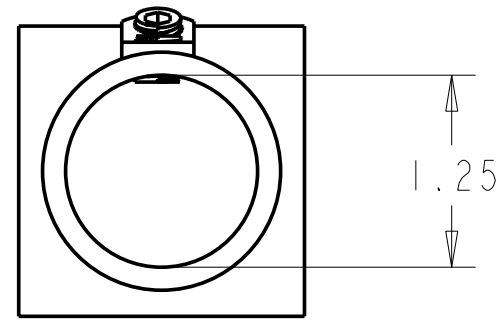


SCALE 1.000



SCALE 0.800



HAND * WARE- * PLUMBING & * COMMERCIAL * COMPONENTS & SUPPLIES
SINKS * WASHING * DRAINAGE * EQUIPMENT * SUPPLIES

MODEL #: BKBS-1

DESCRIPTION: Single Rail Support

MATERIAL:

DATE:

DRAFTER:

SCALE: 6"=1"-0"

APPROVED BY:

REVISIONS

DATE

BK Resources

1609 WEST WERNING AVE., SUITE D
 EFFINGHAM, IL 62401
 (888)310-4393 / FAX (888)310-4394
 EMAIL: sales@bk-resources.com

VISIT OUR WEBSITE
www.bk-resources.com

Dimensions subject to change without prior notification. This illustration is the exclusive property of BK Resources. It may not be distributed in any manner with out the express consent of BK Resources