



# Prep-Tables

## Stainless Steel Prep-Tables with Marine Edge



Use your smart phone to scan the above QR code to visit our website:  
www.bk-resources.com

### Certifications:



### Features:

- 1" x 2" Hat Channel to Reinforce and Maintain Level Working Surface
- Bowl Size: 16" x 20" x 10" (d)
- 4" C/C Deck Mount Faucet Installation
- Legs 1 5/8" Diameter
- 6" Riser

### Options:

- Drawer Assemblies
- Upgraded Bullet Feet
- Extra Shelves
- Faucet & Lever Drains

### Material:

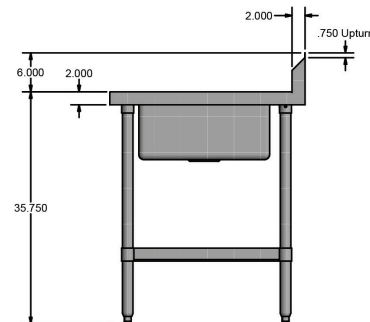
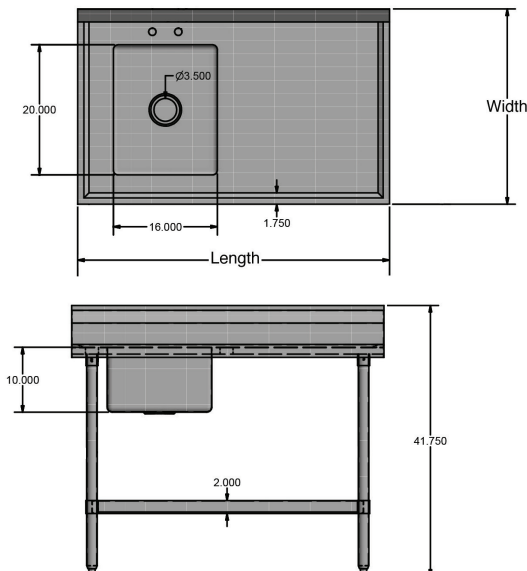
#### S Series: S/S w/ Stainless Steel Legs & Undershelf

- T-304 18 ga. Stainless Steel Top & Bowl
- Stainless Steel Legs & Adjustable Undershelf with Cast Aluminum Corners
- S/S Bullet Feet

#### G Series: S/S w/ Galvanized Legs & Undershelf

- T-304 18 ga. Stainless Steel Top
- Galvanized Legs & Adjustable Undershelf with Cast Aluminum Corners
- Metal Over Plastic Bullet Feet

S Series			G Series		
S/S w/ S/S Legs & Undershelf			S/S w/ Galv. Legs & Undershelf		
Length	T-304 S/S 30" Width	w/ Faucet (BKD-8-G)	T-304 S/S 30" Width	w/ Faucet (BKD-8-G)	Sink Side
48"	BKMPT-3048S-L	BKMPT-3048S-L-P-G	BKMPT-3048G-L	BKMPT-3048G-L-P-G	Left
48"	BKMPT-3048S-R	BKMPT-3048S-R-P-G	BKMPT-3048G-R	BKMPT-3048G-R-P-G	Right
60"	BKMPT-3060S-L	BKMPT-3060S-L-P-G	BKMPT-3060G-L	BKMPT-3060G-L-P-G	Left
60"	BKMPT-3060S-R	BKMPT-3060S-R-P-G	BKMPT-3060G-R	BKMPT-3060G-R-P-G	Right
72"	BKMPT-3072S-L	BKMPT-3072S-L-P-G	BKMPT-3072G-L	BKMPT-3072G-L-P-G	Left
72"	BKMPT-3072S-R	BKMPT-3072S-R-P-G	BKMPT-3072G-R	BKMPT-3072G-R-P-G	Right



PRODUCT DATA SHEET

BK RESOURCES

