



RESOURCES

888-310-4393 • 120 Frontage Road, Altamont, IL 62411 • www.bk-resources.com

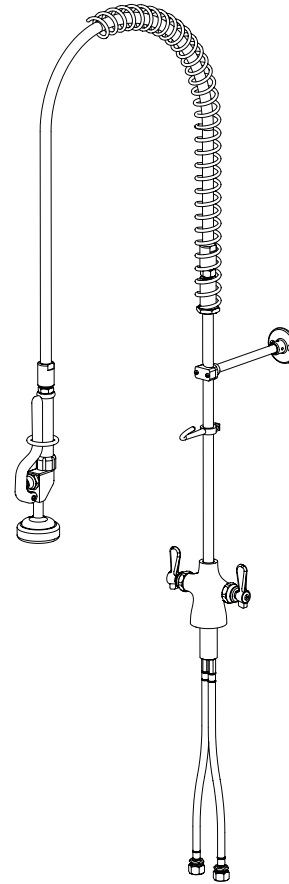
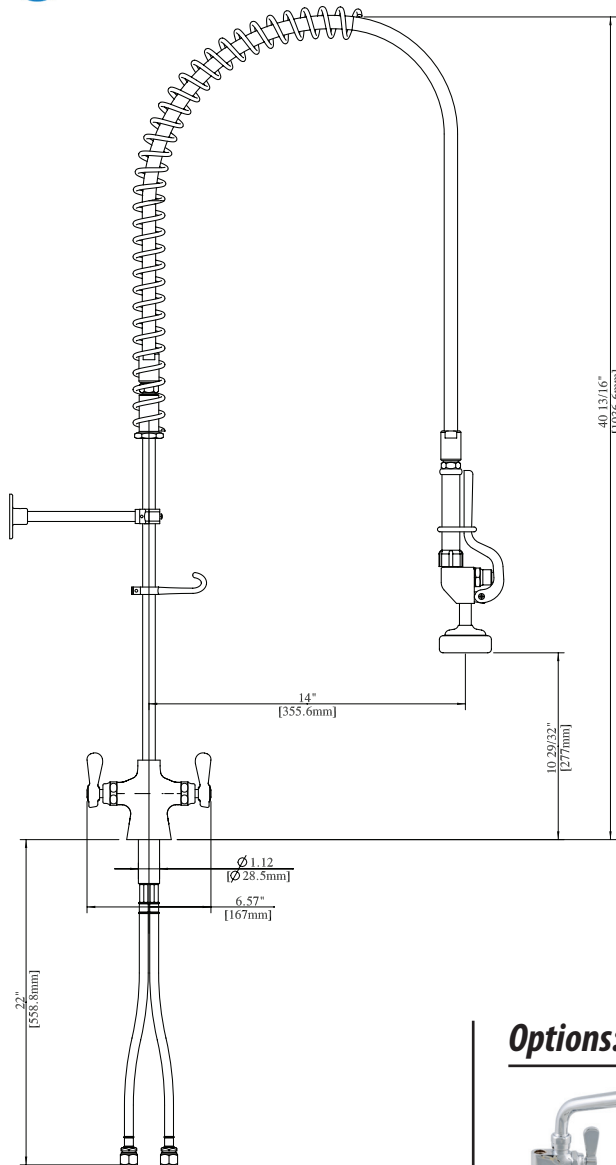


Use your smart phone to scan the above QR code to visit our website: www.bk-resources.com

Deck Mount Pre-Rinse

Model: BKF-DMPR-WB-G, Lead Free

WARRANTED
3
YEARS



Product Specifications:

- Triple-Ply Hose Rated to 300 PSI
- 12" Wall Bracket
- 1/4 Turn Ceramic Cartridges
- Integral Check Valve
- Color Coded Hot & Cold Indicators

Options:



BKF-AF Add A Faucet
BKF-AF-8-G, BKF-AF-10-G,
BKF-AF-12-G, BKF-AF-14-G

Certifications:



Certified to NSF/ANSI 61 Section 9-G

PRODUCT SPECIFICATION SHEET

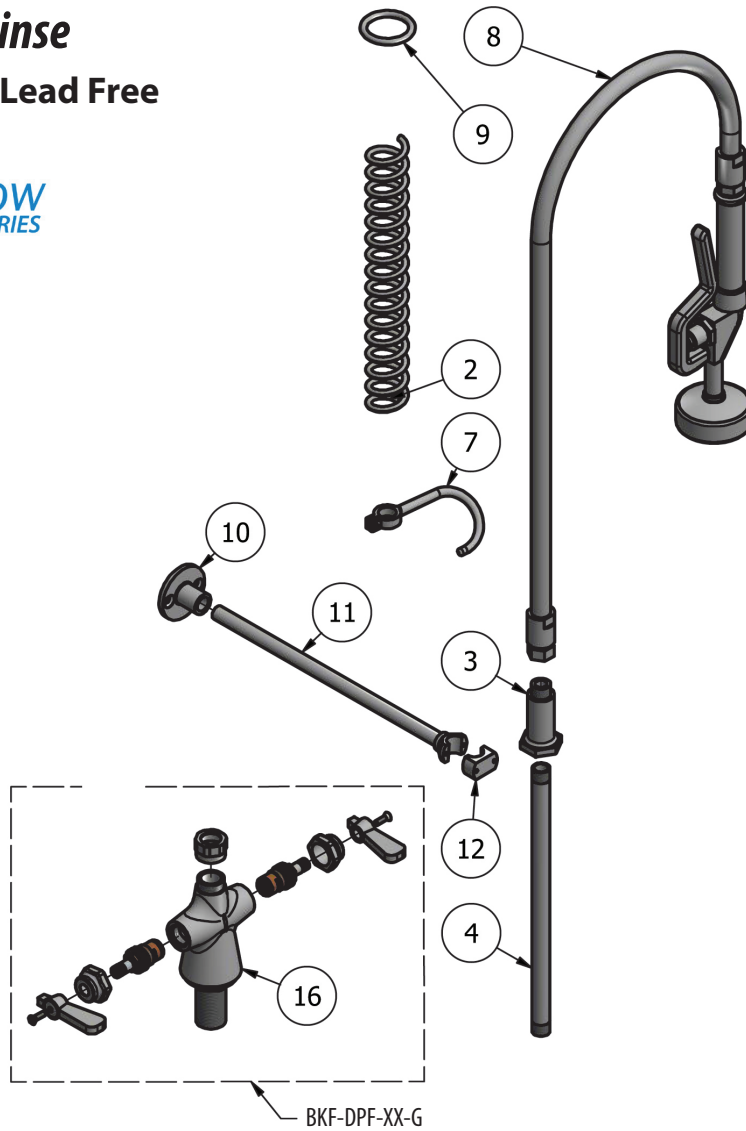
RESOURCES





Deck Mount Pre-Rinse

Model: BKF-DMPR-WB-G, Lead Free



Exploded Parts Detail:

Diagram #	Quantity	Part Number	Description
2	1	BK-PR-SPRING	Hose Spring
3	1	BK-PR-SPR	Hose Retainer
4	1	BK-PR-18RP-G	Riser Bar
7	1	BK-PR-SHR	Spray Valve Retainer
8	1	BKH-44	Spray Hose
9	1	BK-PR-SHR	Spray Valve Handle Retainer
10	1	BK-PR-WB	Wall Bracket Base
11	1	BK-PR-WB	Wall Bracket Rod
12	1	BK-PR-WB	Wall Bracket Clamp
16	1	BKF-DPF-XX-G	Deck Mount Pantry Faucet

Options:



BKF-AF Add A Faucet
BKF-AF-8-G, BKF-AF-10-G,
BKF-AF-12-G, BKF-AF-14-G

PRODUCT SPECIFICATION SHEET

RESOURCES

