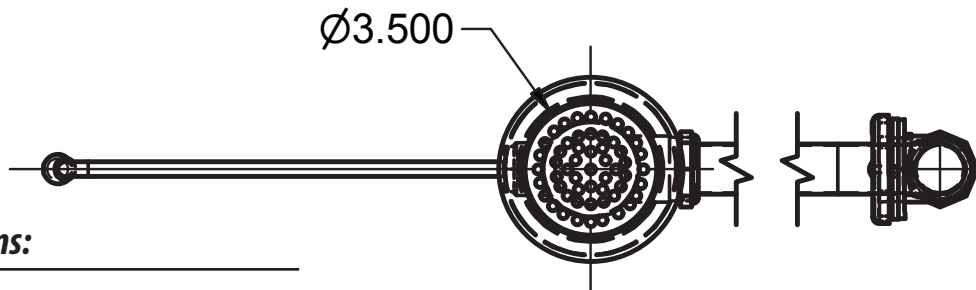
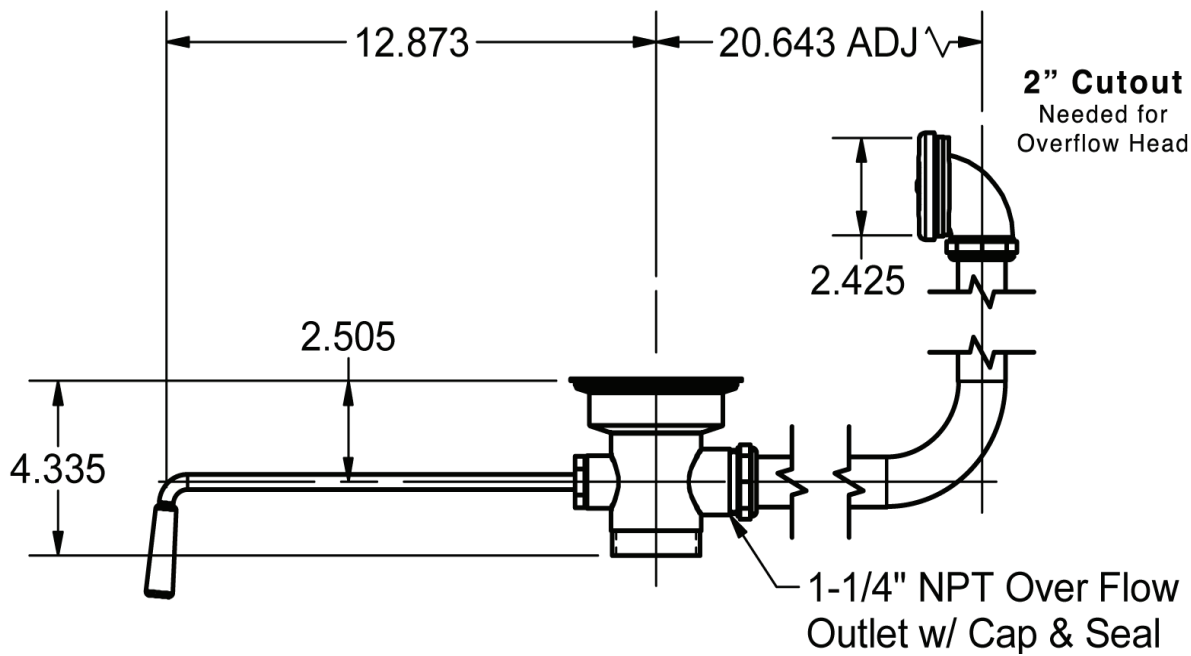
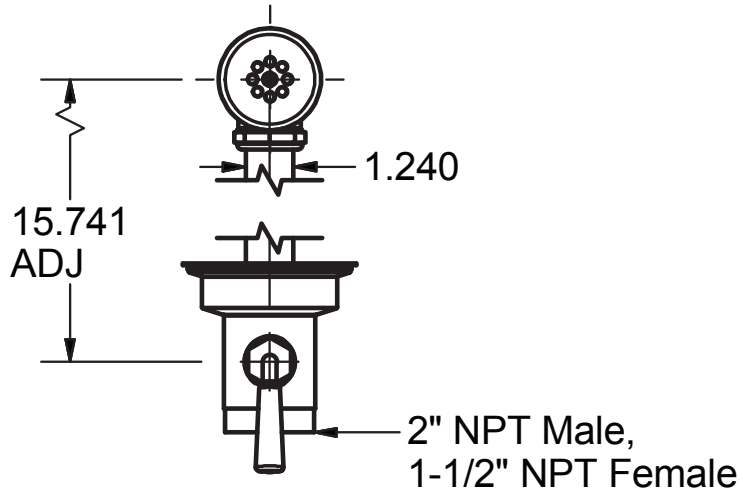




Use your smart phone to scan the above QR code to visit our website: www.bk-resources.com

Twist Lever Waist w/ Overflow

Model: BK-LWR-10



Product Specifications:

- Dual Functioning Outlet Features 2" Male & 1 1/2" Female Threading
- S/S Strainer
- Fits 3 1/2" Openings

PRODUCT SPECIFICATION SHEET

RESOURCES

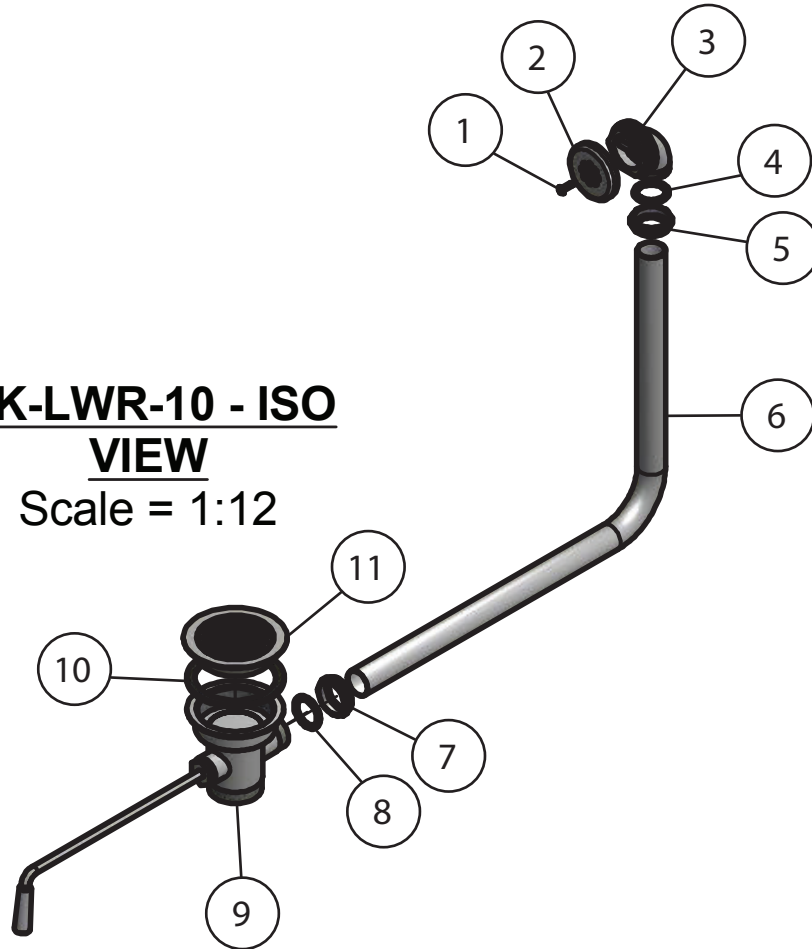




Twist Lever Waist w/ Overflow

Model: BK-LWR-10

**BK-LWR-10 - ISO
VIEW**
Scale = 1:12



Exploded Parts Detail:

Diagram #	Quantity	Part Number	Description
1	1	005032-FPS	Face Plate Screw for Overflow Head
2	1	005032-FP	Face Plate for Overflow Head
3	1	005032	Overflow Head
4	1	005032-W	Overflow Head Washer
5	1	005032-N	Overflow Head Nut
6	1	005031	Overflow Tube
7	1	005031-N	Overflow Tube Nut
8	1	005031-W	Overflow Tube Washer
9	1	005001	Drain Body
10	1	005001-FP	#.5" Lever Drain Face Plate
11	1	LDR-SS-35	3.5" Strainer

