

Adjustable Table Mount Pot Rack

Work Table Pot Rack



Use your smart phone to scan the above QR code to visit our website:
www.bk-resources.com

Features:

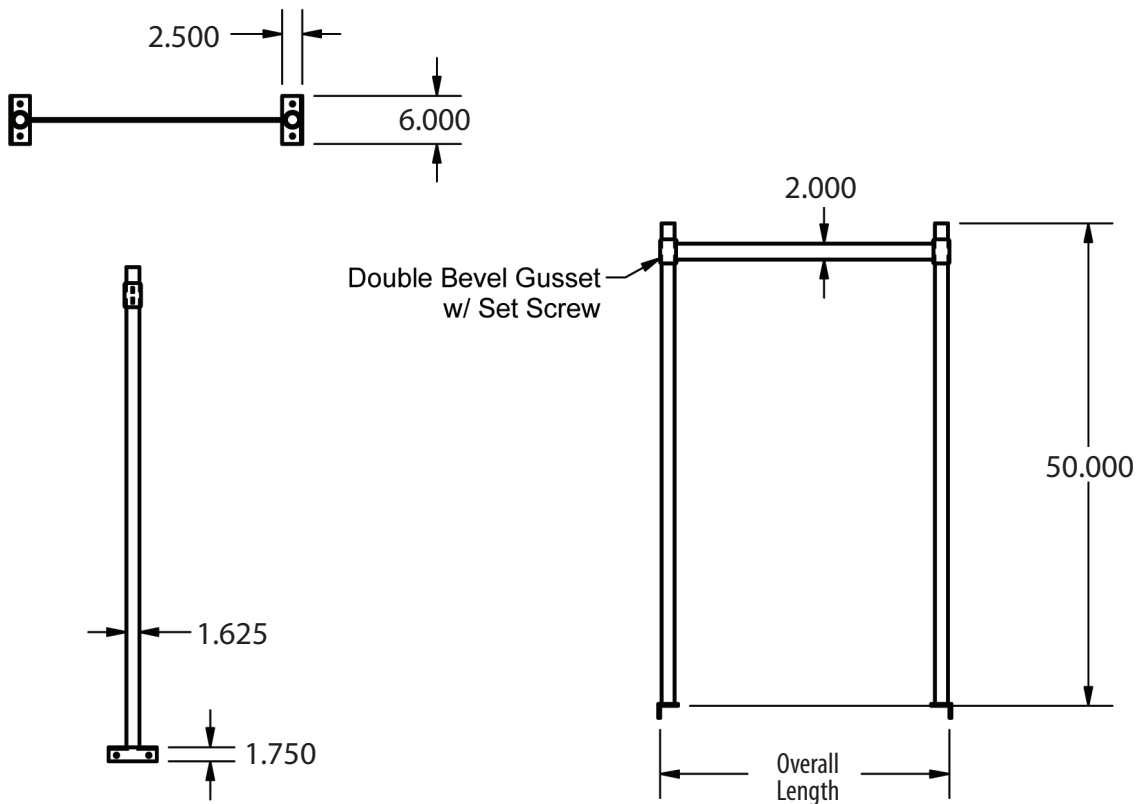
- 1 hook per every 12" of pot rack
- Mounts directly to table with self-tapping screws (hardware included)

Options:

- Additional Pot Rack Bar
- Additional Pot Hooks



Part Number	Length
APR-36	36"
APR-48	48"
APR-60	60"
APR-72	72"



PRODUCT DATA SHEET

RESOURCES

BK