



BEVERAGE-AIR

Project: _____	AIA#
Item: _____	
Location: _____	SIS#
Approved: _____	

MARKETMAX REFRIGERATOR

MMR27HC Black Hinged Single Glass Door With Electronic Lock Hydrocarbon Series

MODEL:
MMR27HC-1-B-IQ

GLASS DOOR REFRIGERATOR: MERCHANDISER SERIES



3 Year Parts/Labor Warranty
Additional 4 Year Compressor Warranty

CABINET CONSTRUCTION

- Exterior finish is heavy duty steel with a black baked on durable coating
- Heavy duty interior construction includes white coated steel walls
- Modern one-piece grille
- Full electronic control
- Freezer has triple pane lowE argon filled glass door
- 120° stay open door feature, with automatic stay open feature
- Snap-in gaskets, easy to remove for cleaning or replacement
- LED lighting, standard
- Five (5) heavy duty epoxy coated wire shelves
- Four (4) shelf clips included per shelf
- Five brightly lighted sign panel options (at time of order)
- Self-contained bottom mount refrigeration system
- Maintains product temperatures down to -10°F
- Leveling feet standard

OPTIONS & ACCESSORIES

- White or stainless steel exterior option
- Black or stainless steel interior option
- Shelves black or white
- Shelf clips
- Flow track
- Gravity flo kits
- Novelty basket
- Price tag molding
- Custom sign panel
- Custom graphics
- 3" or 6" Casters
- 6" Legs or seismic/flanged legs
- Remote option
(Refrigerant must be specified at time of order, see note on back on page)

ELECTRONIC SMART LOCK FEATURES

- Secure temperature-sensitive product for worry-free operation
- LED indicator to quickly view status
- Easy-access test switch for health inspectors
- Built-in safety feature allow escape in case of accidental lock-in

REFRIGERATION SYSTEM

- Uses environmentally friendly, energy efficient R290 refrigerant, and meets all regulatory requirements for CARB, SNAP, DOE & more
- Adaptive defrost
- Non-Electric defrost with hot gas condensate evaporation




ENERGY STAR
Please verify qualifying units by visiting:
www.energystar.gov/cfs

3779 Champion Blvd., Winston-Salem, NC 27105
1-888-845-9800 Fax: 1-336-245-6453
Beverage-Air.com Sales@bevair.com



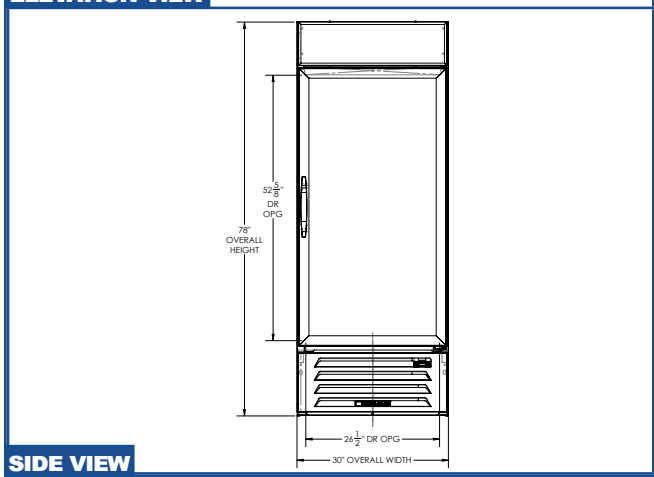
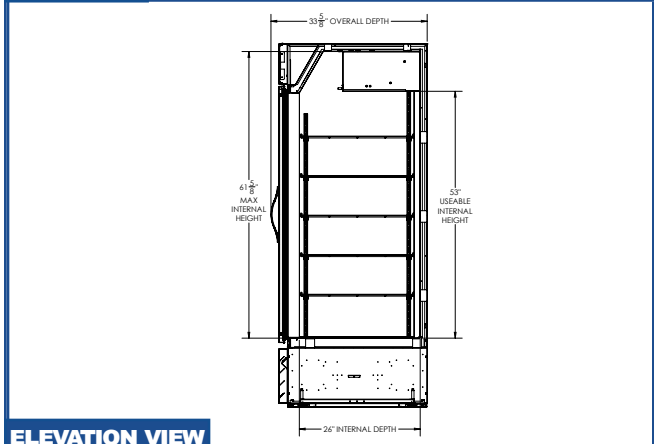
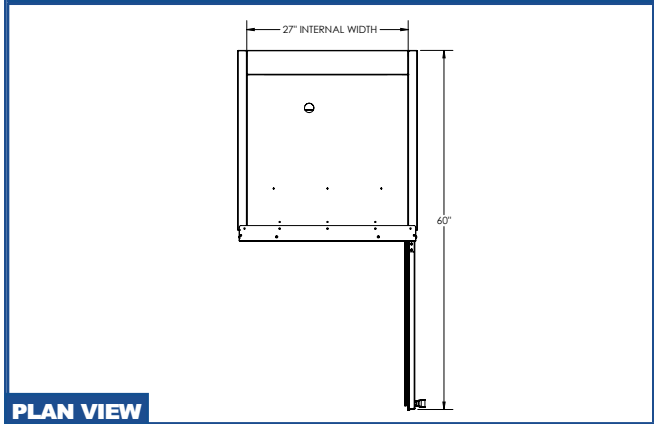
BEVERAGE-AIR

Glass Door Merchandisers - Hinged Door Model Model: MMR27HC-1-B-IQ

MODEL	MMR27HC-1-B-IQ
EXTERNAL DIMENSIONAL DATA	
Width Overall (add 1 1/4" for electronic lock)	30"
Depth Overall with Handle	33 5/8"
Height Overall	78"
Number of Doors	1
Depth with Door Open 90°	60"
Door Opening (in)	26 1/2" x 52 5/8"
INTERNAL DIMENSIONAL DATA	
NET Capacity (cubic ft.)	25.88
Internal Width Overall (in)	27"
Internal Depth Overall (in)	26"
Internal Height Overall (in)	53"
Number of Shelves	5
ELECTRICAL DATA	
Full Load Amperes	3.0
REFRIGERATION DATA	
Horsepower*	1/4
Capacity (BTU/Hr)*	1480
WEIGHT DATA	
Gross Weight	386 lbs
Height - Crated	85"
Width - Crated	33"
Depth - Crated	37"

*NOTE: Remote units are field wired and comes with 6" legs.
Refrigerant must be specified at time of order.

Model Views



*ELECTRICAL CONNECTION



115/60/1
NEMA 5-15P

Units pre-wired at factory and include 8' long cord and plug set.



3779 Champion Blvd., Winston-Salem, NC 27105 1-888-845-9800 Fax: 1-336-245-6453 Beverage-Air.com Sales@bevair.com

an Ali Group Company



The Spirit of Excellence