

For Door Heights To 12' (environmental separation) and 10' (insect control)

#### STANDARD CONSTRUCTION

- ½ hp single speed motor(s) - direct drive (Optional: three-speed)
- Gray powder coated exterior with mill aluminum screen and access panels (Optional: Custom Color or Stainless)
- Wall & Top Mounting
- Front air intake (Optional: top)
- High efficiency Pro-V Nozzle



Berner International Corporation certifies that the air curtains shown herein are licensed to bear the AMCA Seal. The ratings shown are based on tests and procedures performed in accordance with AMCA Publication 211 and comply with the requirements of the AMCA Certified Ratings Program. Rated data shown is for base (unheated) units. The AMCA Certified Ratings Seal applies to airflow rate, average outlet velocity, outlet velocity uniformity, velocity projection and power rating at free delivery only.

Models IDC12-1060A, IDC12-2108A and IDC12-2120A are not licensed to bear the AMCA seal.

5 Year Limited Warranty



for outdoor use

MODEL	Nozzle Width (in)	Max Vel. at Nozzle (fpm)	Avg. Outlet Vel. (fpm)	Air Volume (cfm)	Outlet Vel. Uniformity	Power Rating (kW)	Motor(s) @ hp	Net Wt. (lbs)
IDC12-1036A	36.00	5,166	1,728	1,512	87%	0.51	1 @ 1/2	100
IDC12-1042A	42.00	5,550	1,551	1,583	89%	0.52	1 @ 1/2	106
IDC12-1048A	48.00	5,292	1,366	1,594	78%	0.53	1 @ 1/2	111
IDC12-1060A	66.00	5,079	1,019	1,634	74%	0.54	1 @ 1/2	122
IDC12-2060A	66.00	4,781	2,010	2,931	85%	0.99	2 @ 1/2	169
IDC12-2072A	72.00	5,166	1,728	3,024	87%	1.02	2 @ 1/2	178
IDC12-2078A	78.00	5,166	1,633	3,095	87%	1.03	2 @ 1/2	184
IDC12-2084A	84.00	5,550	1,551	3,166	89%	1.04	2 @ 1/2	189
IDC12-2096A	99.00	5,292	1,366	3,188	78%	1.06	2 @ 1/2	199
IDC12-3096A	99.00	4,781	1,846	4,443	85%	1.50	3 @ 1/2	240
IDC12-2108A	108.00	5,079	1,230	3,228	74%	1.07	2 @ 1/2	242
IDC12-3108A	108.00	5,166	1,728	4,536	87%	1.53	3 @ 1/2	283
IDC12-2120A	117.00	5,079	1,149	3,268	74%	1.08	2 @ 1/2	249
IDC12-3120A	117.00	5,166	1,604	4,678	87%	1.55	3 @ 1/2	290
IDC12-3132A	132.00	5,292	1,484	4,760	78%	1.57	3 @ 1/2	311
IDC12-3144A	144.00	5,292	1,366	4,782	78%	1.59	3 @ 1/2	325
IDC12-4144A	144.00	5,166	1,728	6,048	87%	2.04	4 @ 1/2	366
IDC12-4156A	156.00	5,166	1,633	6,190	87%	2.06	4 @ 1/2	382
IDC12-4168A	168.00	5,550	1,551	6,332	89%	2.08	4 @ 1/2	394
IDC12-4180A	180.00	5,292	1,452	6,354	78%	2.10	4 @ 1/2	407
IDC12-5180A	180.00	5,166	1,728	7,560	87%	2.55	5 @ 1/2	448
IDC12-4192A	192.00	5,292	1,366	6,376	78%	2.12	4 @ 1/2	419
IDC12-5192A	192.00	5,292	1,635	7,631	78%	2.56	5 @ 1/2	460

#### NOTES:

1. Operation at 50 Hz will generate approximately a 17% reduction in air performance.
  2. Consult factory for vertically mounted units
- Berner does not recommend IDC12-1060A, IDC12-2108A and IDC12-2120A, exist only as an equivalent to competitors' models.  
See sheet EP-400 for amp draws/total load requirements.

### MODEL NUMBER CONFIGURATION

## IDC12-1 036 A A-F-SS

Series	# of Motors	Opening Width	Heat	Voltage	Intake	Opt. Cabinet Finish
IDC12	1, 2, 3, 4, 5	036" - 192"	A=Ambient	*A=120/1/60 B=208/1/60 J=240/1/60 V=220/1/50 X=208/3/60 Y=240/3/60 Z=480/3/60 Q=600/3/60 O=380/3/50	T=Top F=Front	SS=Stainless Steel CC=Custom Color

\*Suitable for 50hz

Berner reserves the right to alter specifications without prior notice.

#### VELOCITY PROFILE: Model IDC12-1036A

Distance from Nozzle (ft)	3	6.5	10
Core Velocity (fpm)	2633	1867	1578

Sound level measured 10' (3m) from the unit in free field:  
1, 2, 3, 4 & 5 motor(s): 63 dBA, 66 dBA, 68 dBA, 69 dBA & 70 dBA  
Sound data is not AMCA certified.



# INDUSTRIAL DIRECT DRIVE 12

Ambient (Unheated) Air Curtain  
Electrical Performance Sheet

MODEL	120/1/60 (voltage code A) MOTOR AMP DRAW = 6.5 each			208/1/60 (voltage code B) MOTOR AMP DRAW = 3.5 each			240/1/60 (voltage code J) or 220/1/50 (voltage code V) MOTOR AMP DRAW = 3.5 each			208/3/60 (voltage code X) MOTOR AMP DRAW = 3.5 each		
	# CKTS	AMPS PER CIRCUIT	BREAKER RATING PER CIRCUIT	# CKTS	AMPS PER CIRCUIT	BREAKER RATING PER CIRCUIT	# CKTS	AMPS PER CIRCUIT	BREAKER RATING PER CIRCUIT	# CKTS	AMPS PER CIRCUIT	BREAKER RATING PER CIRCUIT
IDC12-1036A IDC12-1042A IDC12-1048A IDC12-1060A	1	6.5	15	1	3.5	15	1	3.5	15	1	3.5	15
IDC12-2060A IDC12-2072A IDC12-2078A IDC12-2084A IDC12-2096A IDC12-2108A IDC12-2120A	1	13.0	20	1	7.0	15	1	7.0	15	1	7.0	15
IDC12-3096A IDC12-3108A IDC12-3120A IDC12-3132A IDC12-3144A	1	19.5	30	1	10.5	15	1	10.5	15	1	10.5	15
IDC12-4144A IDC12-4156A IDC12-4168A IDC12-4180A IDC12-4192A	1	26.0	35	1	14.0	20	1	14.0	20	1	14.0	20
IDC12-5180A IDC12-5192A	1	32.5	45	1	17.5	25	1	17.5	25	1	17.5	25



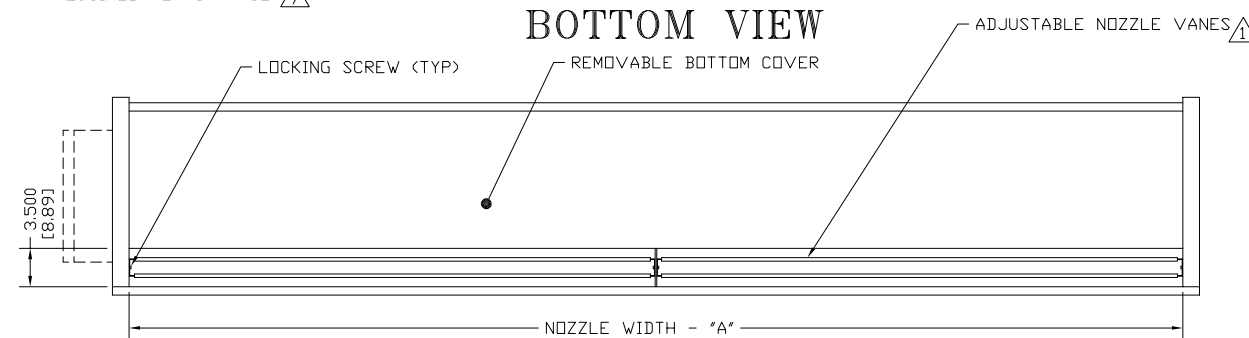
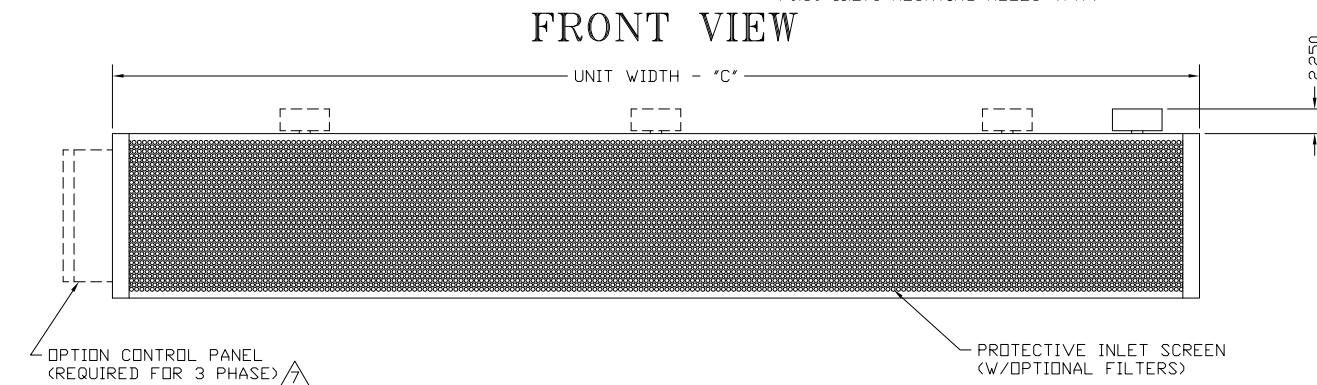
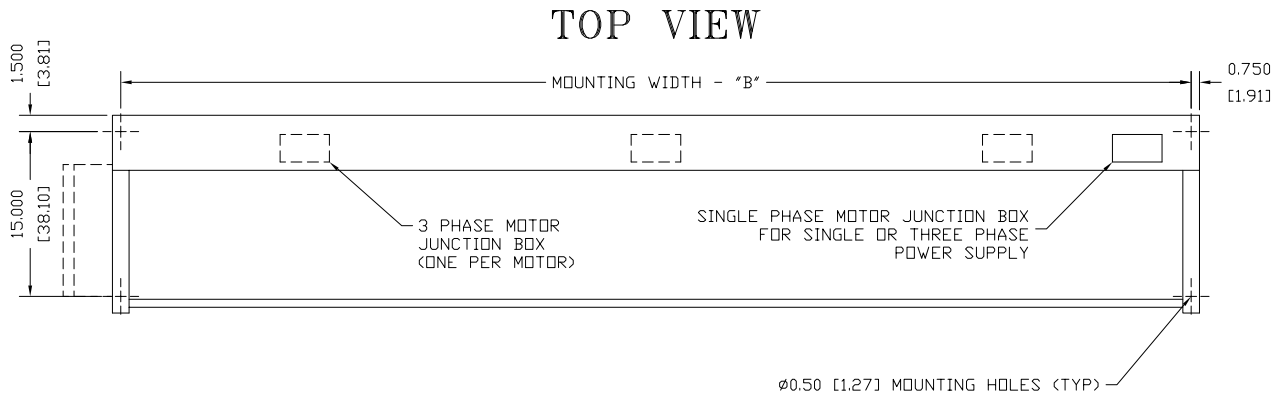
# INDUSTRIAL DIRECT DRIVE 12

## Ambient (Unheated) Air Curtain

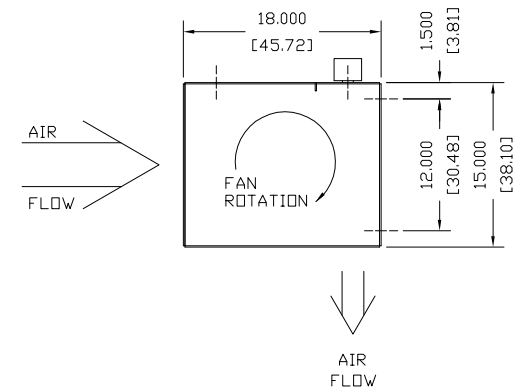
### Electrical Performance Sheet

MODEL	240/3/60 (voltage code Y) MOTOR AMP DRAW = 3.5 each			480/3/60 (voltage code Z) MOTOR AMP DRAW = 1.4 each			600/3/60 (voltage code Q) MOTOR AMP DRAW = 1.0 each			380/3/50 (voltage code O) MOTOR AMP DRAW = 3.5 each		
	# CKTS	AMPS PER CIRCUIT	BREAKER RATING PER CIRCUIT	# CKTS	AMPS PER CIRCUIT	BREAKER RATING PER CIRCUIT	# CKTS	AMPS PER CIRCUIT	BREAKER RATING PER CIRCUIT	# CKTS	AMPS PER CIRCUIT	BREAKER RATING PER CIRCUIT
IDC12-1036A IDC12-1042A IDC12-1048A IDC12-1060A	1	3.5	15	1	1.4	15	1	1.0	15	1	3.5	15
IDC12-2060A IDC12-2072A IDC12-2078A IDC12-2084A IDC12-2096A IDC12-2108A IDC12-2120A	1	7.0	15	1	2.8	15	1	2.0	15	1	7.0	15
IDC12-3096A IDC12-3108A IDC12-3120A IDC12-3132A IDC12-3144A	1	10.5	15	1	4.2	15	1	3.0	15	1	10.5	15
IDC12-4144A IDC12-4156A IDC12-4168A IDC12-4180A IDC12-4192A	1	14.0	20	1	5.6	15	1	4.0	15	1	14.0	20
IDC12-5180A IDC12-5192A	1	17.5	25	1	7.0	15	1	5.0	15	1	17.5	25

# IDC12 AMBIENT SYSTEM



## END VIEW



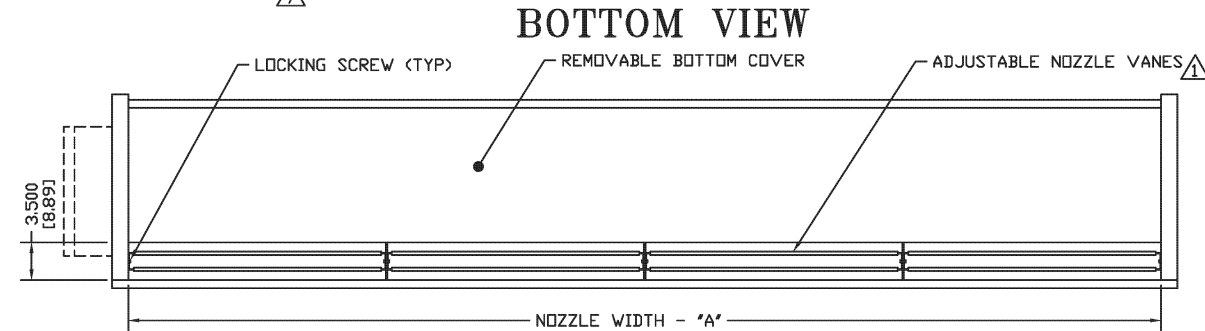
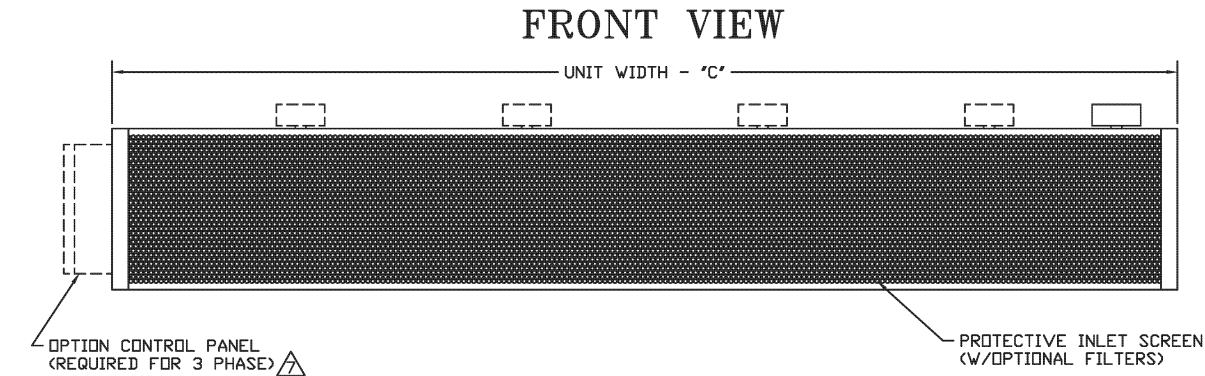
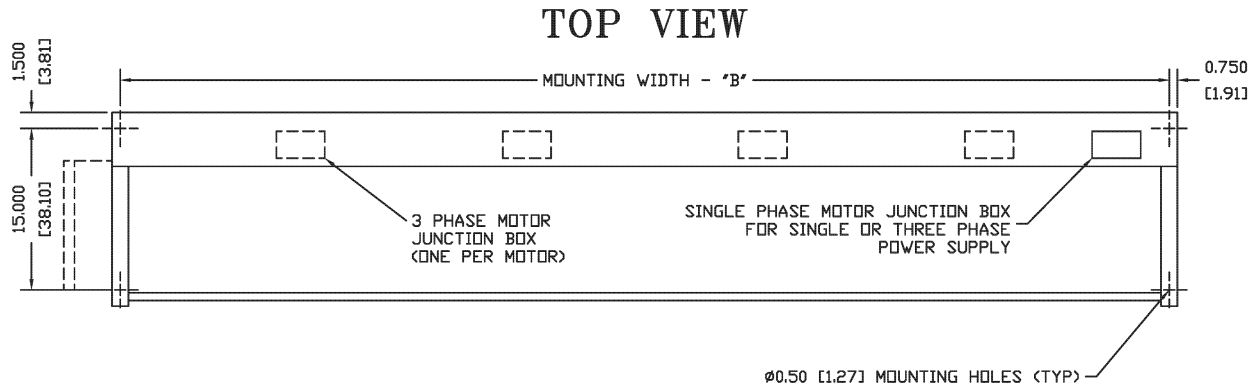
## NOTES:

- ⚠ AIR CURTAIN MUST BE INSTALLED SO AIR STREAM IS NOT OBSTRUCTED WHEN DEFLECTED 20° TO EITHER SIDE OF C.
- ⚡ ELECTRICAL CONNECTIONS TO BE FLEXIBLE.
- ③ FIELD VERIFY DIMENSIONS.
- ⚠ ANCHORS TO SUPPORTING STRUCTURE BY OTHERS.
- ⚠ ADEQUACY OF SUPPORTING STRUCTURE IS TO BE VERIFIED BY A PROFESSIONAL STRUCTURAL ENGINEER.
- ⚠ LETTER "A" IN MODEL NUMBER DESIGNATES, AMBIENT UNIT.
- ⚠ STANDARD CONTROL PANEL LEFT HAND MOUNT, OPTIONAL RIGHT HAND MOUNT, OR REMOTE. PLEASE SPECIFY.
- ⚠ DIMENSIONS IN INCHES [CENTIMETERS].

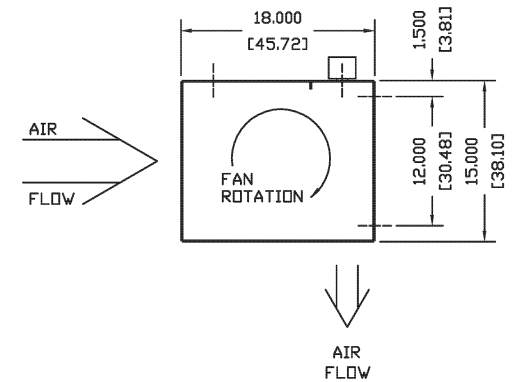
MODEL ⚠	NOZZLE WIDTH "A"	MOUNTING WIDTH "B"	UNIT WIDTH "C"
IDC12-1036A	36.00 [91.44]	37.50 [95.25]	39.00 [99.06]
IDC12-1042A	42.00 [106.68]	43.50 [110.49]	45.00 [114.30]
IDC12-1048A	48.00 [121.92]	49.50 [125.73]	51.00 [129.54]
IDC12-1060A/2060A	66.00 [167.64]	67.50 [171.45]	69.00 [175.26]
IDC12-2072A	72.00 [182.88]	73.50 [186.69]	75.00 [190.50]
IDC12-2078A	78.00 [192.12]	79.50 [201.93]	81.00 [205.74]
IDC12-2084A	84.00 [213.36]	85.50 [217.17]	87.00 [220.98]
IDC12-2096A/3096A	99.00 [251.46]	100.50 [255.27]	102.00 [259.08]
IDC12-2108A/3108A	108.00 [274.32]	109.50 [278.13]	111.00 [281.94]
IDC12-2120A/3120A	117.00 [297.18]	118.50 [300.99]	120.00 [304.80]
IDC12-3132A	132.00 [335.28]	133.50 [339.09]	135.00 [342.90]
IDC12-3144A/4144A	144.00 [365.76]	145.50 [369.57]	147.00 [373.38]

PROJECT		TITLE:	<b>BERNER</b> MODEL IDC12 AIR CURTAIN AMBIENT SYSTEM
LOCATION		DATE	
ARCHITECT		BY	S. Beil
ENGINEER		REPLACES	-
		BY	-
			BERNER INTERNATIONAL CORP. NEW CASTLE, PA.

# IDC12 AMBIENT SYSTEM



## END VIEW

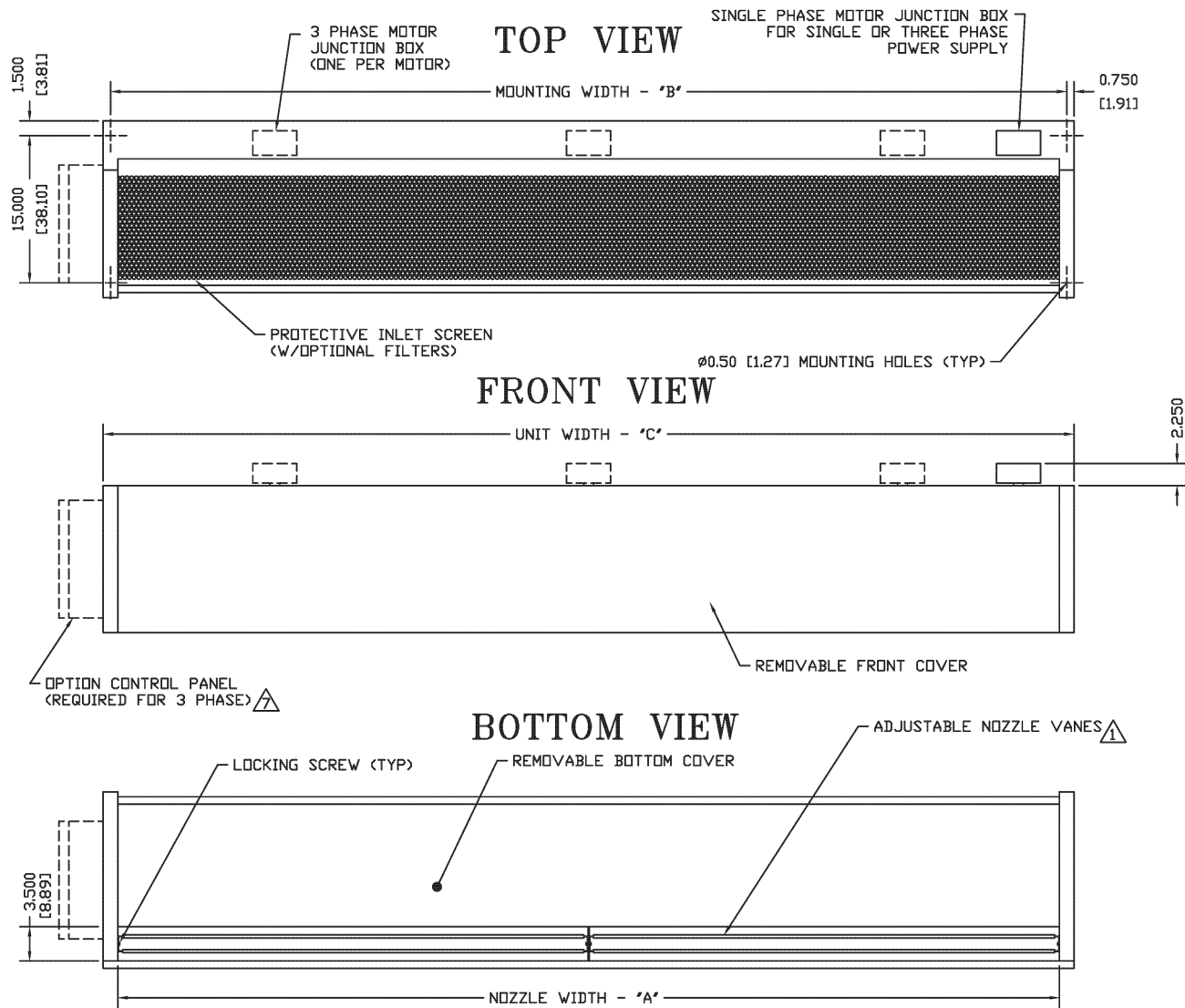


## NOTES:

- ① AIR CURTAIN MUST BE INSTALLED SO AIR STREAM IS NOT OBSTRUCTED WHEN DEFLECTED 20° TO EITHER SIDE OF  $\bar{C}$ .
- ② ELECTRICAL CONNECTIONS TO BE FLEXIBLE.
- ③ FIELD VERIFY DIMENSIONS.
- ④ ANCHORS TO SUPPORTING STRUCTURE BY OTHERS.
- ⑤ ADEQUACY OF SUPPORTING STRUCTURE IS TO BE VERIFIED BY A PROFESSIONAL STRUCTURAL ENGINEER.
- ⑥ LETTER "A" IN MODEL NUMBER DESIGNATES, AMBIENT UNIT.
- ⑦ STANDARD CONTROL PANEL LEFT HAND MOUNT, OPTIONAL RIGHT HAND MOUNT, OR REMOTE. PLEASE SPECIFY.
- ⑧ DIMENSIONS IN INCHES [CENTIMETERS].

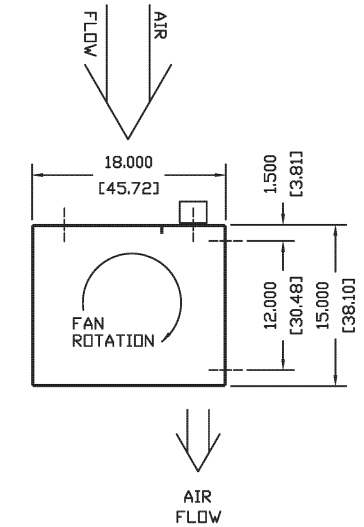
MODEL ⑥	NOZZLE WIDTH 'A'	MOUNTING WIDTH 'B'	UNIT WIDTH 'C'
IDC12-4156A	156.00 [396.24]	157.50 [400.05]	159.00 [403.86]
IDC12-4168A	168.00 [426.72]	169.50 [430.53]	171.00 [434.34]
IDC12-4180A/5180A	180.00 [457.20]	181.50 [461.01]	183.00 [464.82]
IDC12-4192A/5192A	192.00 [487.68]	193.50 [491.49]	195.00 [495.30]

PROJECT		
LOCATION		
ARCHITECT		
ENGINEER		
DWG. NO.	IDC12-AMB2	TITLE: <b>BERNER</b>
DATE	28MAY14	MODEL IDC12 AIR CURTAIN
BY	S. Bell	AMBIENT SYSTEM
REPLACES	-	
BY	-	BERNER INTERNATIONAL CORP. NEW CASTLE, PA.



# IDC12 AMBIENT SYSTEM TOP INTAKE

## END VIEW



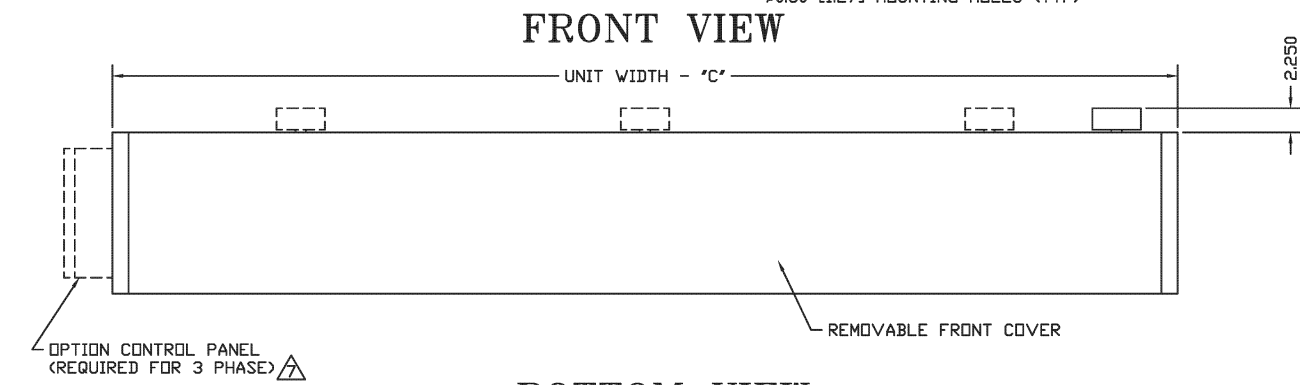
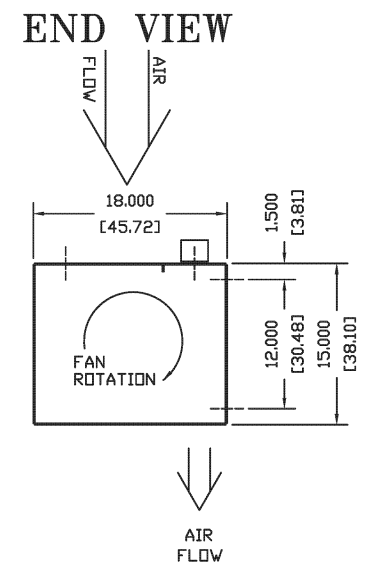
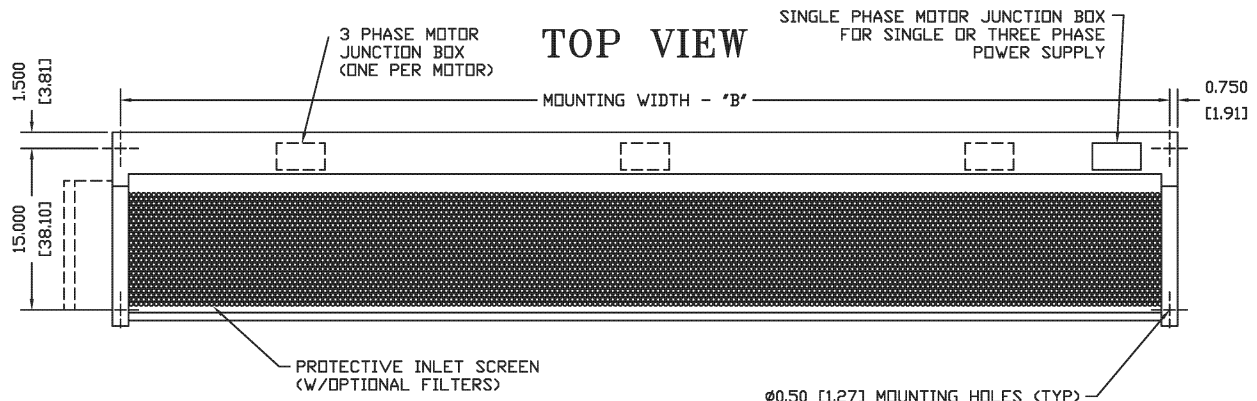
## NOTES:

- 1 AIR CURTAIN MUST BE INSTALLED SO AIR STREAM IS NOT OBSTRUCTED WHEN DEFLECTED 20° TO EITHER SIDE OF  $\phi$ .
- 2 ELECTRICAL CONNECTIONS TO BE FLEXIBLE.
- 3 FIELD VERIFY DIMENSIONS.
- 4 ANCHORS TO SUPPORTING STRUCTURE BY OTHERS.
- 5 ADEQUACY OF SUPPORTING STRUCTURE IS TO BE VERIFIED BY A PROFESSIONAL STRUCTURAL ENGINEER.
- 6 LETTER 'A' IN MODEL NUMBER DESIGNATES, AMBIENT UNIT.
- 7 STANDARD CONTROL PANEL LEFT HAND MOUNT, OPTIONAL RIGHT HAND MOUNT, OR REMOTE. PLEASE SPECIFY.
- 8 DIMENSIONS IN INCHES (CENTIMETERS).

MODEL ⚠	NOZZLE WIDTH 'A'	MOUNTING WIDTH 'B'	UNIT WIDTH 'C'
IDC12-1036A	36.00 [91.44]	37.50 [95.25]	39.00 [99.06]
IDC12-1042A	42.00 [106.68]	43.50 [110.49]	45.00 [114.30]
IDC12-1048A	48.00 [121.92]	49.50 [125.73]	51.00 [129.54]
IDC12-1060A/2060A	66.00 [167.64]	67.50 [171.45]	69.00 [175.26]
IDC12-2072A	72.00 [182.88]	73.50 [186.69]	75.00 [190.50]
IDC12-2078A	78.00 [192.12]	79.50 [201.93]	81.00 [205.74]
IDC12-2084A	84.00 [213.36]	85.50 [217.17]	87.00 [220.98]
IDC12-2096A/3096A	99.00 [251.46]	100.50 [255.27]	102.00 [259.08]
IDC12-2108A/3108A	108.00 [274.32]	109.50 [278.13]	111.00 [281.94]
IDC12-2120A/3120A	117.00 [297.18]	118.50 [300.99]	120.00 [304.80]
IDC12-3132A	132.00 [335.28]	133.50 [339.09]	135.00 [342.90]
IDC12-3144A/4144A	144.00 [365.76]	145.50 [369.57]	147.00 [373.38]

PROJECT		
LOCATION		
ARCHITECT		
ENGINEER		
DWG. NO.	IDC12-AMB3	TITLE: <b>BERNER</b>
DATE	10JULY2015	MODEL IDC12 AIR CURTAIN AMBIENT SYSTEM - TOP INTAKE
BY	S. Bell	
REPLACES	-	
BY	-	BERNER INTERNATIONAL CORP. NEW CASTLE, PA.

# IDC12 AMBIENT SYSTEM TOP INTAKE



## NOTES:

- ① AIR CURTAIN MUST BE INSTALLED SO AIR STREAM IS NOT OBSTRUCTED WHEN DEFLECTED 20° TO EITHER SIDE OF  $\bar{C}$ .
- ② ELECTRICAL CONNECTIONS TO BE FLEXIBLE.
- ③ FIELD VERIFY DIMENSIONS.
- ④ ANCHORS TO SUPPORTING STRUCTURE BY OTHERS.
- ⑤ ADEQUACY OF SUPPORTING STRUCTURE IS TO BE VERIFIED BY A PROFESSIONAL STRUCTURAL ENGINEER.
- ⑥ LETTER 'A' IN MODEL NUMBER DESIGNATES, AMBIENT UNIT.
- ⑦ STANDARD CONTROL PANEL LEFT HAND MOUNT, OPTIONAL RIGHT HAND MOUNT, OR REMOTE. PLEASE SPECIFY.
- ⑧ DIMENSIONS IN INCHES [CENTIMETERS].

MODEL ⑥	NOZZLE WIDTH 'A'	MOUNTING WIDTH 'B'	UNIT WIDTH 'C'
IDC12-4156A	156.00 [396.24]	157.50 [400.05]	159.00 [403.86]
IDC12-4168A	168.00 [426.72]	169.50 [430.53]	171.00 [434.34]
IDC12-4180A/5180A	180.00 [457.20]	181.50 [461.01]	183.00 [464.82]
IDC12-4192A/5192A	192.00 [487.68]	193.50 [491.49]	195.00 [495.30]

PROJECT		TITLE	<b>BERNER</b>
LOCATION		MODEL IDC12 AIR CURTAIN	
ARCHITECT		AMBIENT SYSTEM - TOP INTAKE	
ENGINEER			
DWG. NO.	IDC12-AMB4		
DATE	10 JULY 2015		
BY	S. Bell		
REPLACES	-		
BY	-		
			BERNER INTERNATIONAL CORP. NEW CASTLE, PA.