



**John  
Boos**  
Since 1887

ITEM #: \_\_\_\_\_ QTY: \_\_\_\_\_  
 MODEL #: \_\_\_\_\_  
 PROJECT NAME: \_\_\_\_\_

032321

3601 S. Banker St. Effingham, IL 62401 • Ph: (888) 431-2667 • Fax: (800) 433-2667

## "BBQBD" PROFESSIONAL COLLECTION - EDGE GRAIN

### 1-1/2" THICK - REVERSIBLE

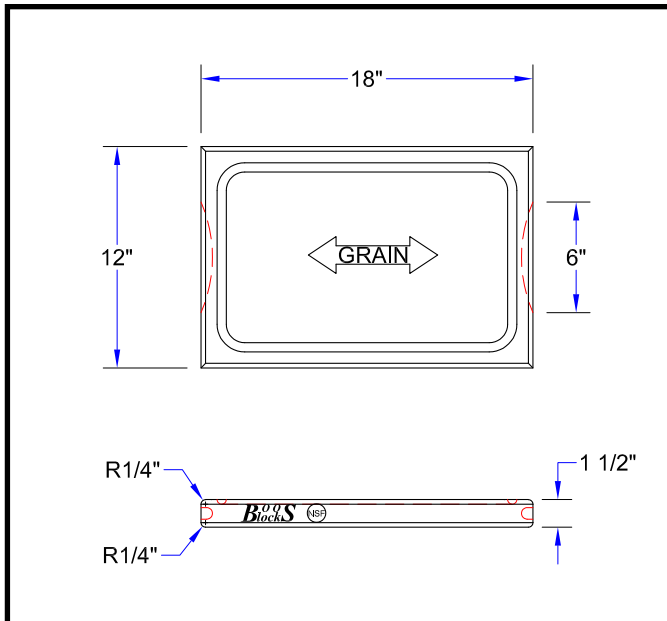


#### FEATURES:

- NORTHERN HARD ROCK MAPLE
- RECTANGULAR CUTTING BOARD 1-1/2" THICK
- EDGE GRAIN CONSTRUCTION
- HAND GRIPS ON EACH END
- INCLUDES JUICE GROOVE
- OIL FINISH
- NSF CERTIFIED



BBQBD



### "BBQBD" PROFESSIONAL COLLECTION - EDGE GRAIN

MODEL #	DESCRIPTION	LXWXH	WEIGHT (LBS)
BBQBD	MAPLE W/ GROOVE	18" X 12" X 1-1/2"	8.5

SOME UNITS SHIP UNASSEMBLED FOR REDUCED SHIPPING COST. ALL DIMENSIONS ARE TYPICAL. TOLERANCE +/- .500"

John Boos & Co. is constantly engaged in a program of improving products and therefore reserves the right to change specifications without prior notice.



3601 S. Banker St. • Effingham, IL 62401 • quotes@johnboos.com