



**T&S BRASS AND BRONZE WORKS, INC.**  
 2 Saddleback Cove / P.O. Box 1088  
 Travelers Rest, SC 29690

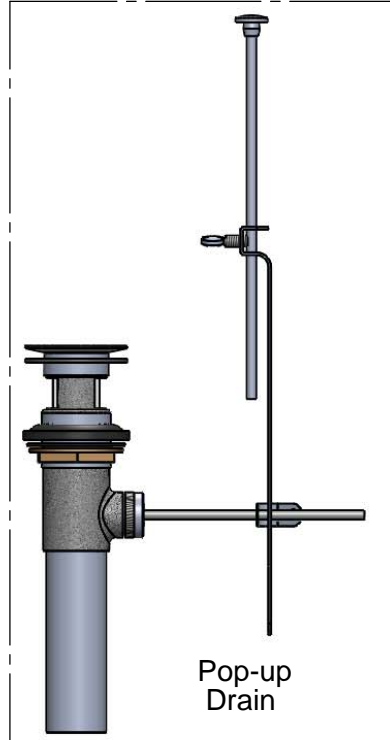
Model No.  
**B-2710**

Item No.

Travelers Rest, SC: 800-476-4103 • Simi Valley, CA: 800-423-0150 • Fax: 864-834-3518 • www.tsbrass.com

This Space for Architect/Engineer Approval

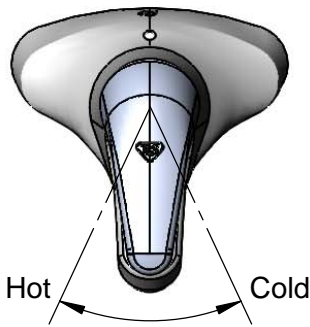
Job Name \_\_\_\_\_ Date \_\_\_\_\_  
 Model Specified \_\_\_\_\_ Quantity \_\_\_\_\_  
 Customer/Wholesaler \_\_\_\_\_  
 Contractor \_\_\_\_\_  
 Architect/Engineer \_\_\_\_\_



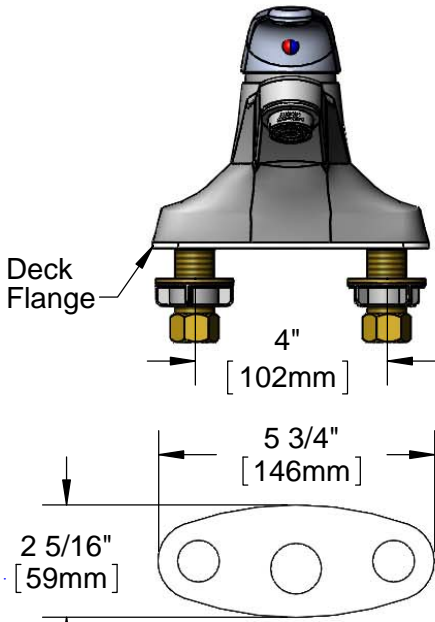
Pop-up Drain



**ADA Compliant**



Hot Cold



Deck Flange

4" [102mm]

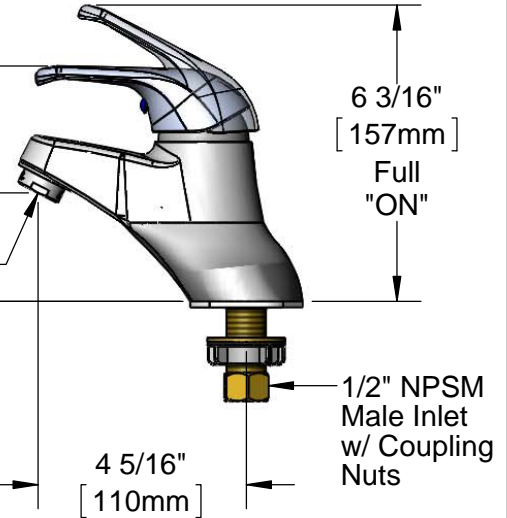
5 3/4" [146mm]

2 5/16" [59mm]

Mounting Surface  
 3/4" [19mm] Maximum Thickness

4 7/8" [125mm] "OFF"  
 2 1/4" [57mm]

2.2 GPM Aerator



6 3/16" [157mm] Full "ON"

1/2" NPSM Male Inlet w/ Coupling Nuts

4 5/16" [110mm]

Rough-In Requirement:  
 (2)  $\phi$  1" [25mm] Mounting Holes

Product Specifications:  
 4" Deck Mount Single Lever Faucet, Ceramic Cartridge, Temperature Limit Stop, 2.2 GPM Aerator, Pop-up Drain & 1/2" NPSM Male Inlet

Product Compliance:  
 ASME A112.18.1 / CSA B125.1  
 NSF 61 - Section 9  
 NSF 372 (Low Lead Content)  
 ANSI A117.1 (ADA)



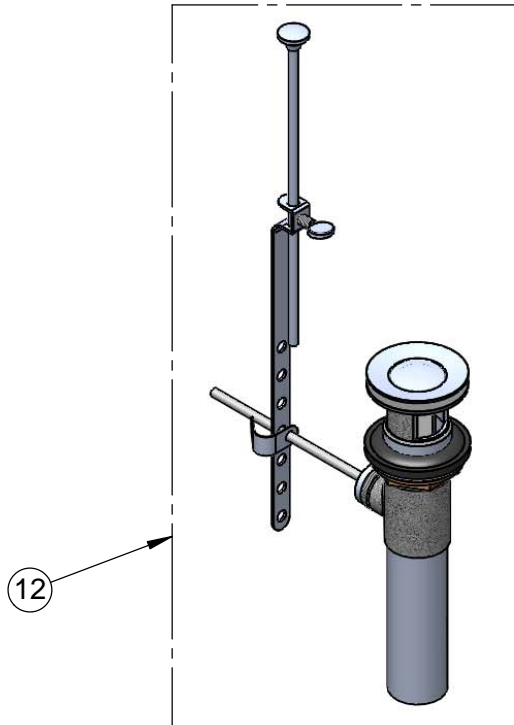
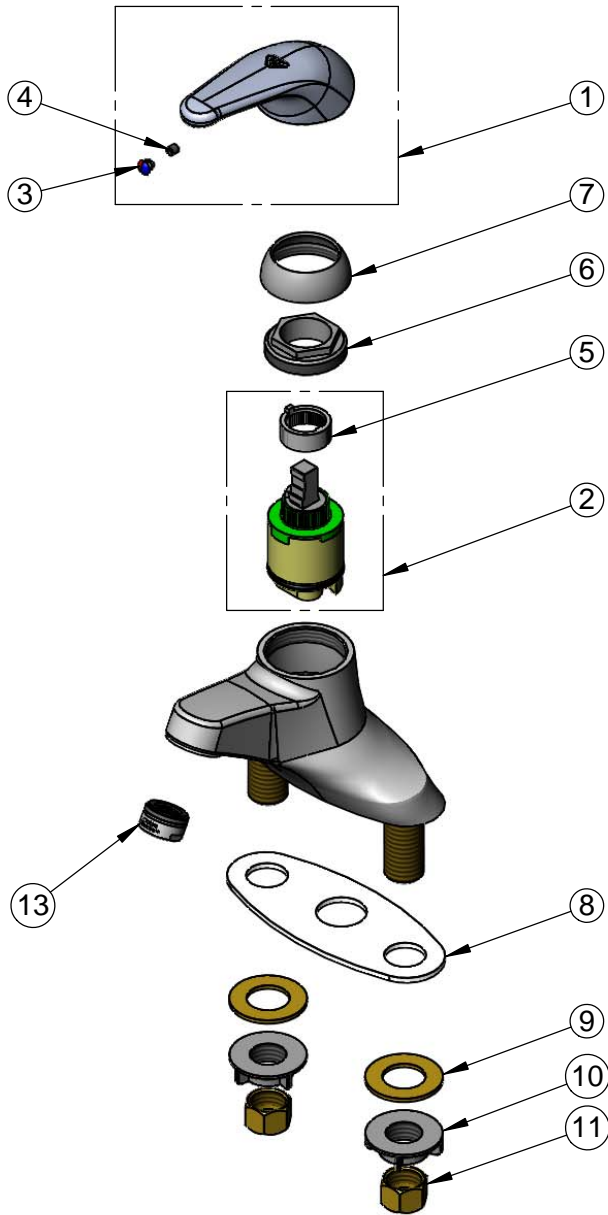
**T&S BRASS AND BRONZE WORKS, INC.**  
 2 Saddleback Cove / P.O. Box 1088  
 Travelers Rest, SC 29690

Model No.  
**B-2710**

Item No.

Travelers Rest, SC: 800-476-4103 • Simi Valley, CA: 800-423-0150 • Fax: 864-834-3518 • www.tsbrass.com

ITEM NO.	SALES NO.	DESCRIPTION
1	013113-45	Handle, Single Lever
2	013111-45	Ceramic Cartridge
3	014173-45	Index, Temperature
4	016675-45	Set Screw
5	015400-45	Temperature Limit Stop
6	016663-45	Locking Nut
7	016661-45	Trim Ring
8	014167-45	Deck Gasket
9	000999-45	Brass Lock Washer </td
10	016673-45	Shank Nut
11	000958-20	Coupling Nut
12	B-0898	Pop-Up Drain
13	016671-45	2.2 GPM Aerator



**Product Specifications:**  
 4" Deck Mount Single Lever Faucet, Ceramic Cartridge, Temperature Limit Stop, 2.2 GPM Aerator, Pop-up Drain & 1/2" NPSM Male Inlet

**Product Compliance:**  
 ASME A112.18.1 / CSA B125.1  
 NSF 61 - Section 9  
 NSF 372 (Low Lead Content)  
 ANSI A117.1 (ADA)