



T&S BRASS AND BRONZE WORKS, INC.

2 Saddleback Cove / P.O. Box 1088
Travelers Rest, SC 29690

Model No.

B-1172-96-135X

Item No.

Travelers Rest, SC: 800-476-4103 • Simi Valley, CA: 800-423-0150 • Fax: 864-834-3518 • www.tsbrass.com

This Space for Architect/Engineer Approval

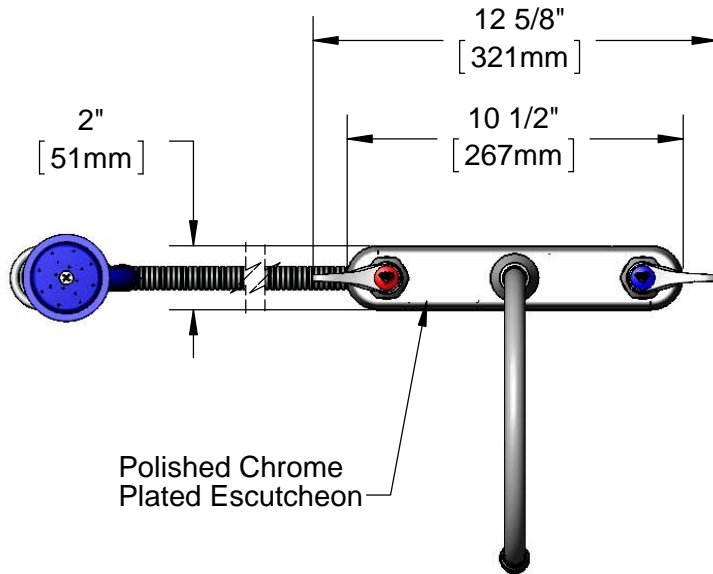
Job Name _____ Date _____

Model Specified _____ Quantity _____

Customer/Wholesaler _____

Contractor _____

Architect/Engineer _____



Polished Chrome
Plated Escutcheon

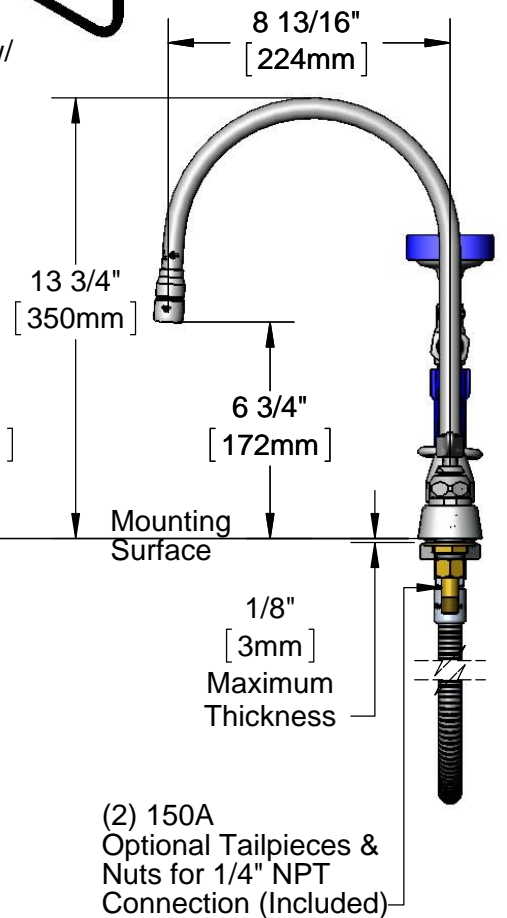


Quarter-Turn Eterna
Cartridges w/ Spring
Checks & Lever Handles
w/ Color Coded Indexes

Swivel Gooseneck w/
B-0199-02
2.2 GPM Aerator

EB-0107
High Flow
Spray Valve

360° Swivel
Piece



Mounting
Surface

1/8"
[3mm]
Maximum
Thickness

(2) 150A
Optional Tailpieces &
Nuts for 1/4" NPT
Connection (Included)

B-KF
Deck
Flange

3 5/16"
[84mm]

1"
[26mm]

1"
[25mm]
1/2" NPT
Male Inlets

EB-0096-H
96" Flexible
Stainless
Steel Hose

Rough-In Requirement:
Faucet: (3) ϕ 1" [25mm] Mounting Holes
Deck Flange: (1) ϕ 1 9/16" [40mm] Mounting Hole

Product Specifications:

8" Deck Mount Workboard Mixing Faucet, Quarter-Turn Eterna Cartridges w/ Spring Checks, Lever Handles, 8 13/16" Swivel Gooseneck, 2.2 GPM Aerator, 96" Flexible Stainless Steel Hose, High Flow Spray Valve, Deck Flange & 1/2" NPT Male Inlets

Product Compliance:

ASME A112.18.1 / CSA B125.1
NSF 61 - Section 9
NSF 372 (Low Lead Content)
EPA 2005 Non-Compliant (PRSV)



T&S BRASS AND BRONZE WORKS, INC.

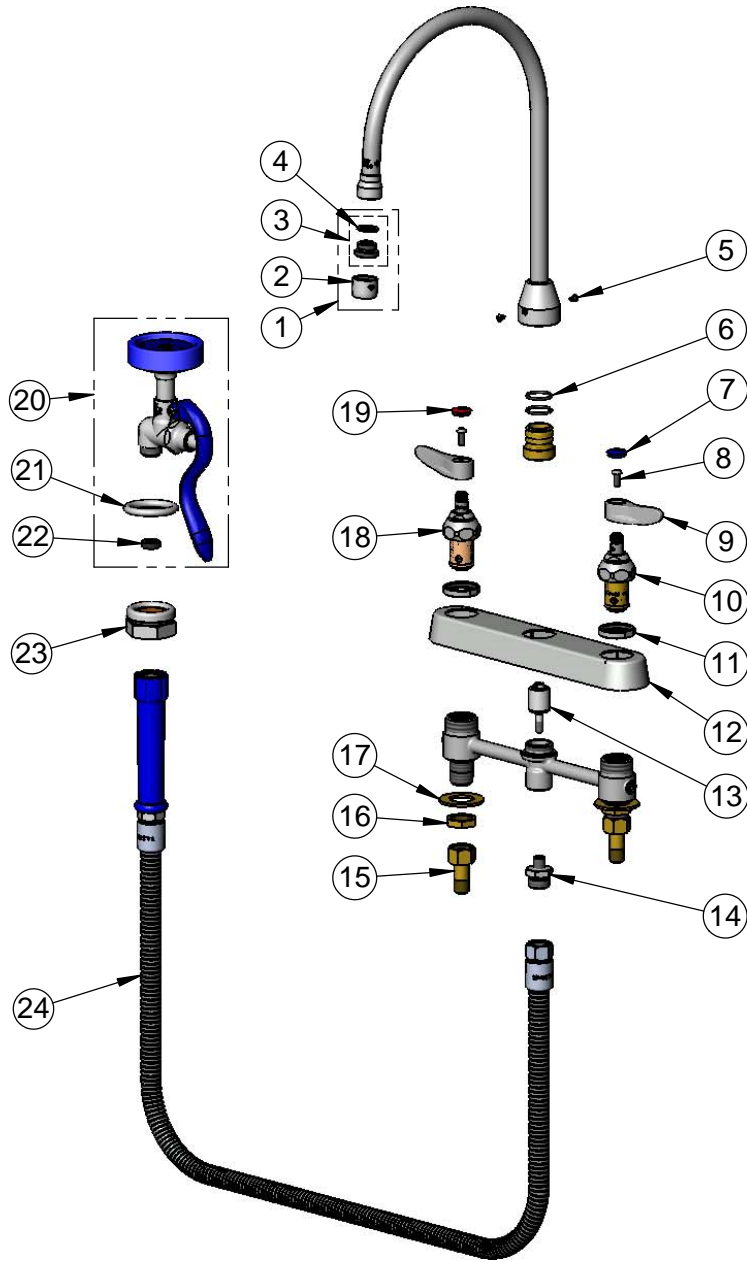
2 Saddleback Cove / P.O. Box 1088
Travelers Rest, SC 29690

Model No.

B-1172-96-135X

Item No.

Travelers Rest, SC: 800-476-4103 • Simi Valley, CA: 800-423-0150 • Fax: 864-834-3518 • www.tsbrass.com



ITEM NO.	SALES NO.	DESCRIPTION
1	B-0199-02	2.2 GPM Aerator, 3/8" NPSM Male
2	B-0199-01	2.2 GPM Aerator, 55/64"-27 UN Female
3	044A	3/8" to Aerator Adapter
4	001043-45	Washer
5	001486-45	Diverter Cover Screw
6	001069-45	O-ring
7	019363-45	Blue Button Index, Press-in
8	000925-45	Lab Handle Screw
9	019361-45	Lever Handle (New Style)
10	019382-40	Quarter-Turn New Style Eterna Cartridge w/ Spring Check, LTC
11	019376-40	Escutcheon Lock Nut
12	019375-40	B-1120 Eterna Workboard Escutcheon
13	002338-45	Valve Diverter Piston
14	000542-25	1/8" NPT x 3/4-14 Male Adapter
15	150A	1/4" NPT Tailpiece & Nut
16	002954-45	Shank Lock Nut
17	000999-45	Brass Lock Washer
18	019383-40	Quarter-Turn New Style Eterna Cartridge w/ Spring Check, RTC
19	019364-45	Red Button Index, Press-in
20	EB-0107	High Flow Spray valve (Blue)
21	000907-45	Spray Valve Hold Down Ring
22	010476-45	#27 Washer
23	B-KF	Protective Flange
24	EB-0096-H	96" Flexible Stainless Steel Hose w/ Blue Grip Handle

Product Specifications:

8" Deck Mount Workboard Mixing Faucet, Quarter-Turn Eterna Cartridges w/ Spring Checks, Lever Handles, 8 13/16" Swivel Gooseneck, 2.2 GPM Aerator, 96" Flexible Stainless Steel Hose, High Flow Spray Valve, Deck Flange & 1/2" NPT Male Inlets

Product Compliance:

ASME A112.18.1 / CSA B125.1
NSF 61 - Section 9
NSF 372 (Low Lead Content)
EPA Act 2005 Non-Compliant (PRSV)