



# T&S BRASS AND BRONZE WORKS, INC.

2 Saddleback Cove / P.O. Box 1088  
Travelers Rest, SC 29690

Model No.

**B-1152**

Item No.

Travelers Rest, SC: 800-476-4103 • Simi Valley, CA: 800-423-0150 • Fax: 864-834-3518 • www.tsbrass.com

This Space for Architect/Engineer Approval

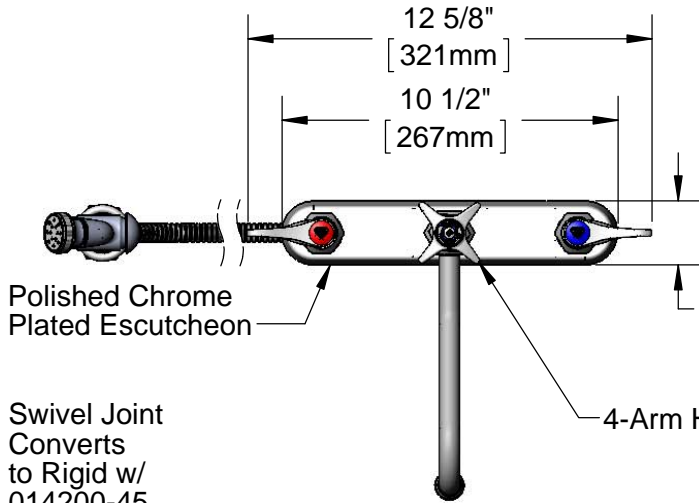
Job Name \_\_\_\_\_ Date \_\_\_\_\_

Model Specified \_\_\_\_\_ Quantity \_\_\_\_\_

Customer/Wholesaler \_\_\_\_\_

Contractor \_\_\_\_\_

Architect/Engineer \_\_\_\_\_

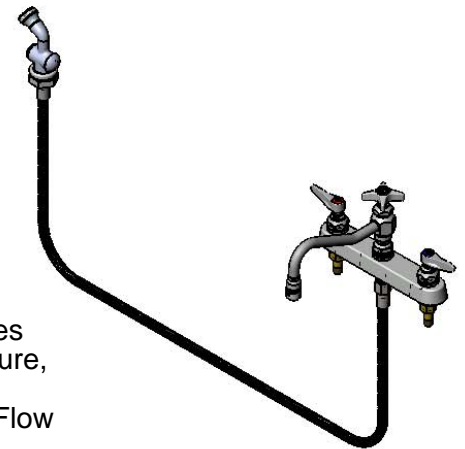


Polished Chrome Plated Escutcheon

4-Arm Handle

Swivel Joint Converts to Rigid w/ 014200-45 Lock Washer (Included)

Opening Faucet Pressurizes Hose. For Full Hose Pressure, Turn 4-Arm Handle Until It Pops Up, Stopping Water Flow Through Nozzle



Spray Valve

Diverter Valve w/ Nozzle & 2.2 GPM Aerator

7 7/8" [201mm]

B-KF Deck Flange

3 5/16" [84mm]

6" [152mm]

5 1/2" [139mm]

Mounting Surface

8" [203mm]

1" [25mm]

1 13/16" [46mm]

1/8" [3mm] Maximum Thickness

1/2" NPT Male Inlets

(2) 150A Optional Tailpiece & Nut for 1/4" NPT Connection (Included)

**Rough-In Requirement:**  
Faucet: (3)  $\phi$  1" [25mm] Mounting Holes  
Deck Flange:  $\phi$  1 9/16" [40mm] Mounting Hole

**Product Specifications:**  
8" Deck Mount Workboard Mixing Faucet, Quarter-Turn Eterna Cartridges w/ Spring Checks, Lever Handles, Diverter Valve w/ 7 7/8" Swing Nozzle, 2.2 GPM Aerator, 48" Flexible Stainless Steel Hose, Spray Valve, Deck Flange & 1/2" NPT Male Inlets

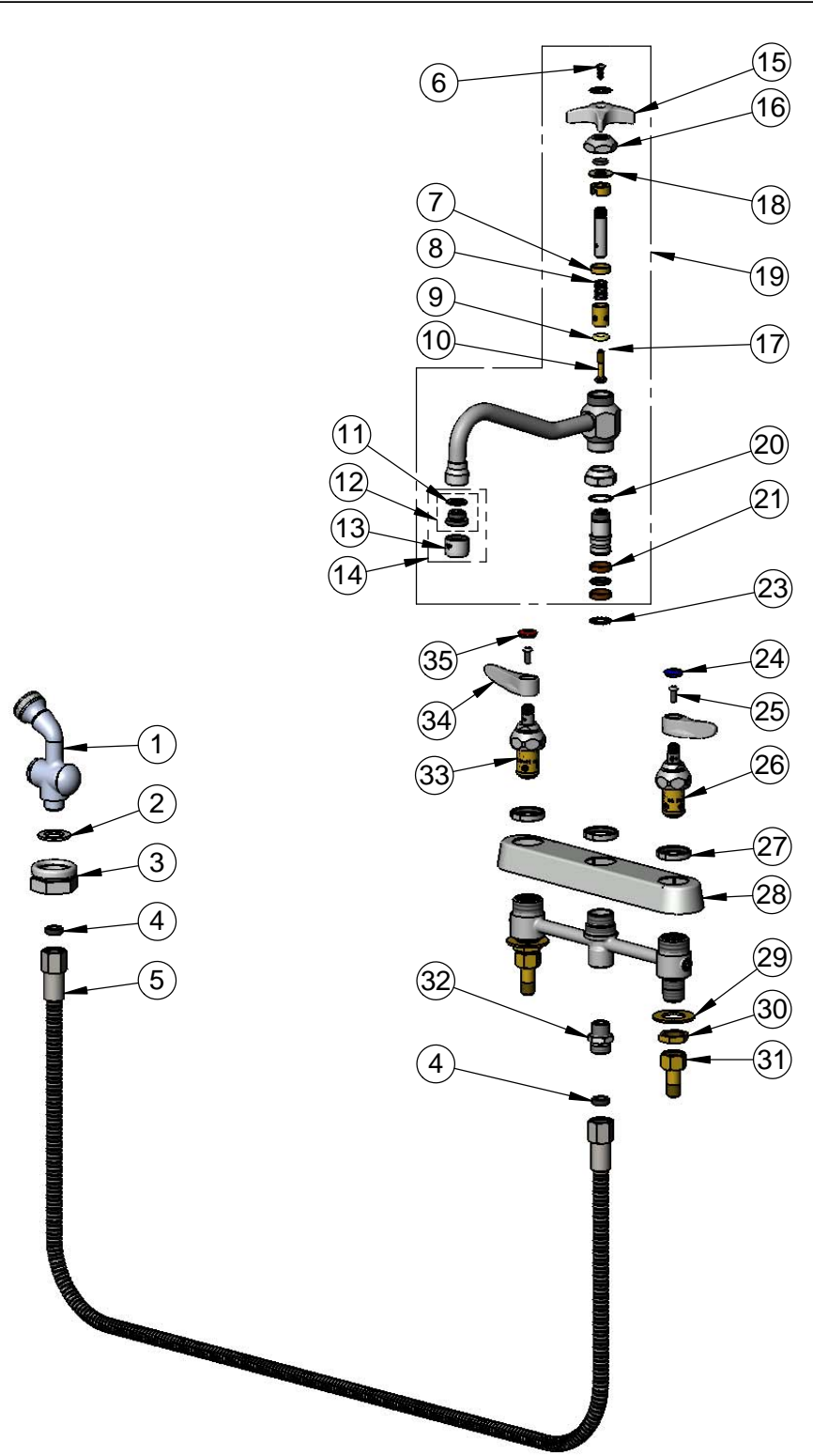
**Product Compliance:**  
ASME A112.18.1 / CSA B125.1  
NSF 61 - Section 9  
NSF 372 (Low Lead Content)



**T&S BRASS AND BRONZE WORKS, INC.**  
 2 Saddleback Cove / P.O. Box 1088  
 Travelers Rest, SC 29690

Model No.  
**B-1152**  
 Item No.

Travelers Rest, SC: 800-476-4103 • Simi Valley, CA: 800-423-0150 • Fax: 864-834-3518 • www.tsbrass.com



ITEM NO.	SALES NO.	DESCRIPTION
1	002857-40	Spray Valve Assembly
2	001010-40	Washer, Stainless Steel
3	B-KF	Protective Flange
4	010476-45	#27 Washer
5	013E-48H	48" Flexible Stainless Steel Hose
6	000922-45	Lever Handle Screw
7	000875-20	Washer
8	000893-45	Spring
9	001084-45	Seat Washer
10	000832-20	Stem Diverter Bottom
11	001043-45	Washer
12	044A	3/8" to Aerator Adapter
13	B-0199-01	2.2 GPM Aerator, 55/64"-27 UN Female
14	B-0199-02	2.2 GPM Aerator, 3/8" NPSM Male
15	002521-45	4-Arm Handle
16	000881-40	Bonnet Nut
17	001075-45	O-ring, Nitrile -111
18	001047-45	Washer, Santoprene
19	002878-40	Diverter Valve w/ Nozzle & 2.2 GPM Aerator Outlet
20	009E	Plastic Washer
21	011429-45	Swivel Sleeves (2)
22	001074-45	O-Ring
23	014200-45	Star Washer, Anti-Rotation
24	019363-45	Blue Button Index, Press-in
25	000925-45	Lab Handle Screw
26	019382-40	Quarter-Turn New Style Eterna Cartridge w/ Spring Check, LTC
27	019376-40	Escutcheon Lock Nut
28	019375-40	B-1120 Eterna Workboard Escutcheon
29	000999-45	Brass Lock Washer
30	002954-45	Shank Lock Nut
31	002601-45	Washer
32	053A	Adapter, 3/8" NPT Male
33	019383-40	Quarter-Turn New Style Eterna Cartridge w/ Spring Check, RTC
34	019361-45	Lever Handle (New Style)
35	019364-45	Red Button Index, Press-in

**Product Specifications:**  
 8" Deck Mount Workboard Mixing Faucet, Quarter-Turn Eterna Cartridges w/ Spring Checks, Lever Handles, Diverter Valve w/ 7 7/8" Swing Nozzle, 2.2 GPM Aerator, 48" Flexible Stainless Steel Hose, Spray Valve, Deck Flange & 1/2" NPT Male Inlets

**Product Compliance:**  
 ASME A112.18.1 / CSA B125.1  
 NSF 61 - Section 9  
 NSF 372 (Low Lead Content)