



# T&S BRASS AND BRONZE WORKS, INC.

2 Saddleback Cove / P.O. Box 1088  
Travelers Rest, SC 29690

Model No.

**B-0107-035**

Item No.

Travelers Rest, SC: 800-476-4103 • Simi Valley, CA: 800-423-0150 • Fax: 864-834-3518 • www.tsbrass.com

This Space for Architect/Engineer Approval

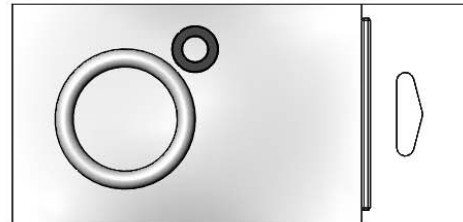
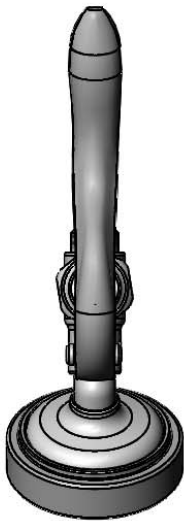
Job Name \_\_\_\_\_ Date \_\_\_\_\_

Model Specified \_\_\_\_\_ Quantity \_\_\_\_\_

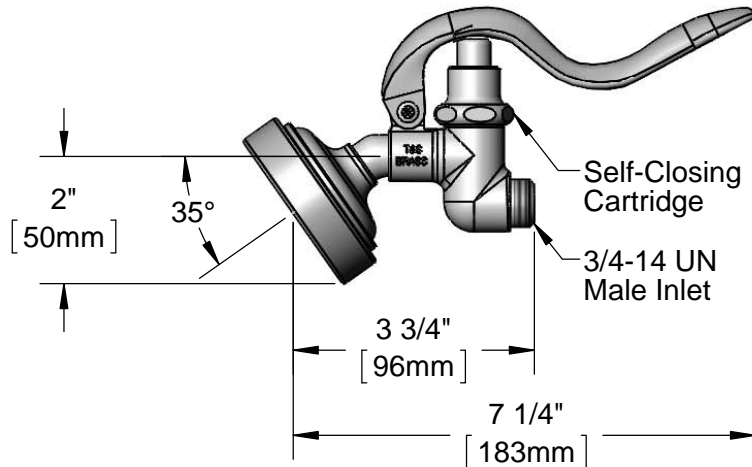
Customer/Wholesaler \_\_\_\_\_

Contractor \_\_\_\_\_

Architect/Engineer \_\_\_\_\_



Hose Washer &  
Hold Down Ring  
(Included)



**Product Specifications:**

**Pre-Rinse Self-Closing Angled Spray Valve w/ Rubber Bumper  
& 1.42 GPM Flow Control Spray Face**

**Product Compliance:**

ASME A112.18.1 / CSA B125.1  
NSF 61 - Section 9  
NSF 372 (Low Lead Content)  
EPA Act 2005 (PRSV)

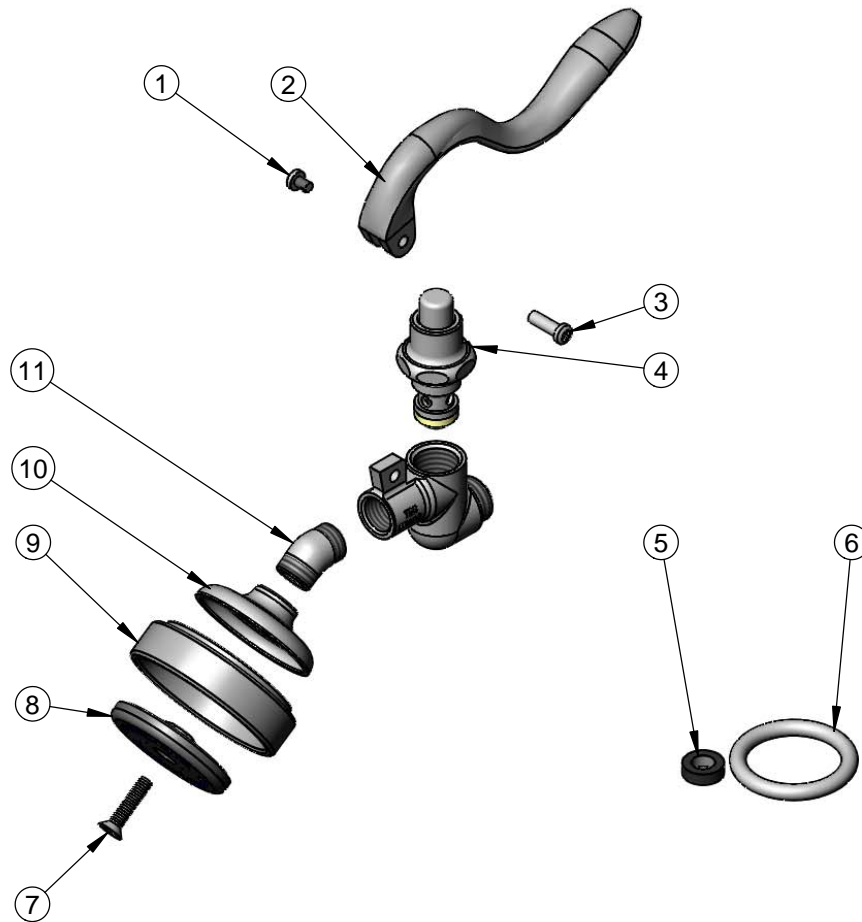


**T&S BRASS AND BRONZE WORKS, INC.**  
 2 Saddleback Cove / P.O. Box 1088  
 Travelers Rest, SC 29690

Model No.  
**B-0107-035**  
 Item No.

Travelers Rest, SC: 800-476-4103 • Simi Valley, CA: 800-423-0150 • Fax: 864-834-3518 • www.tsbrass.com

ITEM NO.	SALES NO.	DESCRIPTION
1	003199-45	Spray Valve Handle Screw
2	001120-45	Spray Valve Handle
3	003198-45	Spray Valve Handle Nut
4	002856-40	Spray Valve Bonnet
5	010476-45	#27 Washer
6	000907-45	Spray Valve Hold Down Ring
7	000913-45	Screw
8	001121-45	Spray Valve Spray Face
9	007861-45	Spray Valve Sprayhead Ring
10	000019-40	Spray Valve Cup
11	0032	35° Elbow 5/8-27 UN Male x Male, Plated



Product Specifications:  
**Pre-Rinse Self-Closing Angled Spray Valve w/ Rubber Bumper  
 & 1.42 GPM Flow Control Spray Face**

Product Compliance:  
 ASME A112.18.1 / CSA B125.1  
 NSF 61 - Section 9  
 NSF 372 (Low Lead Content)  
 EPA Act 2005 (PRSV)