



ATLAS METAL

1135 N.W. 159th DRIVE, MIAMI, FLORIDA 33169

TEL 305.625.2451

TOLL FREE 800.762.7565

FAX 305.623.0475

WWW.ATLASFOODSERV.COM

SALES@ATLASFOODSERV.COM

Project: _____

Item No.: _____

Quantity: _____

MODULAR UNITS BL SERIES



BLM-1-R SHOWN W/ ACCESSORIES

CASHIER UNIT

- BLM-1-L** (Tray Slide - Cashier's Right)
- BLM-1-R** (Tray Slide - Cashier's Left)
- BLM-1** (Without Tray Slide)

SPECIFICATIONS

TOP: Constructed of 16 gauge, type 304 stainless steel, die-formed, welded, ground and polished to a uniform finish. The top includes a rolled front edge.

BODY: Frame construction shall be of hi-tensile aluminum square tubing, 1-1/4", with 3-3/4" extruded, vertical radius corners on the front. Frame sections are all welded construction, ground and polished to a uniform finish. Body is complete with front panel and end panels of plastic laminate on .063 aluminum. Owner to specify laminate selection. A cam-lock locking system is included with each unit to align and retain cart positioning when two or more units are joined.

CASH DRAWER: An all stainless steel, locking cash drawer, 15"W x 16"L x 3"D, is provided. Drawer is mounted on nylon roller bearing glides and furnished with a removable change insert.

TRAY SLIDE: Constructed of 16 gauge stainless steel with (2) raised ribs for easy sliding of trays. The tray slide is mounted on stainless steel brackets with aluminum hinge blocks which allow the tray slide to fold down.

CASTERS: N.S.F approved, 5" diameter, non-marking rubber tired, swivel plate casters with grease fittings. Both casters on the operator's side have toe activated brakes.

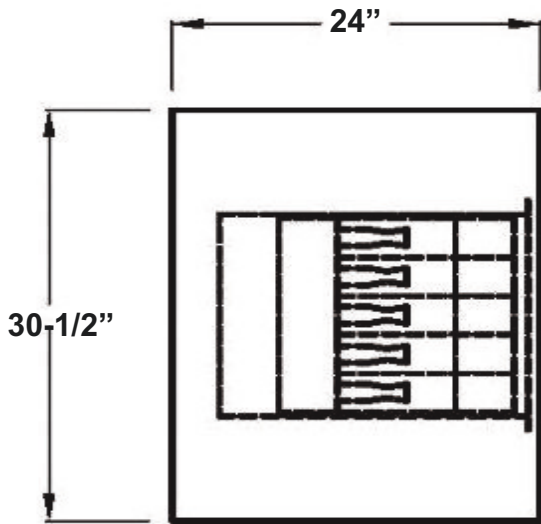
Specifications subject to change without notice.

STANDARD FEATURES

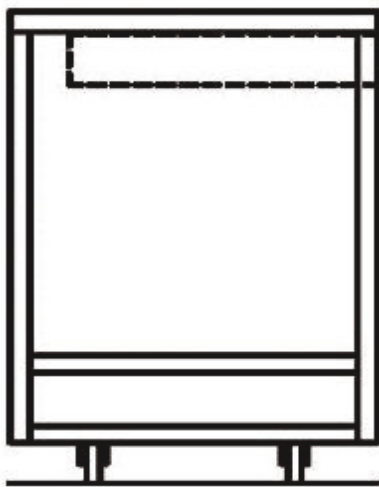
- Front and End Skirt with recessed casters
- Cam-Lock locking device - keeps tops level and equipment in place
- Fully mobile - each unit is provided with 5" dia. swivel casters, two with brakes
- Available in a wide range of plastic laminate panels, polyurethane enamel & powder coated frames and panels to blend with any decor
- Total versatility - available in various configurations
- 1-Year Parts & Labor Warranty
- UL Listed & NSF Approved

ACCESSORIES

- **BLM-BU** - Dual Service Option
- **TS** - Tray Slide, 12" wide, S/S, solid, ribbed, fold-down
- **SL** - Tray Slide, 11-1/4" wide, S/S, 2-rail, fold-down
- **SLT** - Tray Slide, 11-1/4" wide, S/S, 3-rail, fold-down
- **SLF** - Tray Slide, 11-1/4" wide, plastic laminate w/ S/S runners, fold-down
- **SH** - Work Shelf, 8" wide, S/S, flat, fold-down
- **CB** - Work Shelf, 8" wide, hardwood maple, fold-down
- **CR** - Work Shelf, 8" wide, Richlite, fold-down
- **ES** - End Shelf, 16" wide, S/S, fold-down
- **CBE** - End Shelf, 16" wide, hardwood maple, fold-down
- **EFP** - 24" Extended front panel and tray slide (BLM-1-L or R)
- **REVERSA PANEL** - Front
- **REVERSA PANEL** - Ends (set)
- **BLSF** - S/S Front Panel
- **BLSE** - S/S End Panel (each)
- **PP** - Painted Panels, polyurethane enamel, in lieu of laminate
- **USB** - Bottom Shelf, S/S, removable
- **SC** - Square Cutout
- **RC** - Round Cutout
- **FH** - Ferruled Hold in top (for cord drop)
- **CO** - Convenience Outlet (specify base or apron mount)
- **CO-DUP** - Convenience Outlet, Duplex receptacle
- **PCS** - 7 to 10 ft. Power Cord
- **CW** - Cord Wrap
- **P-CAST** - Polyurethane Casters, 2-W/Brakes
- **SL-BL** - Legs with adjustable feet, in lieu of casters

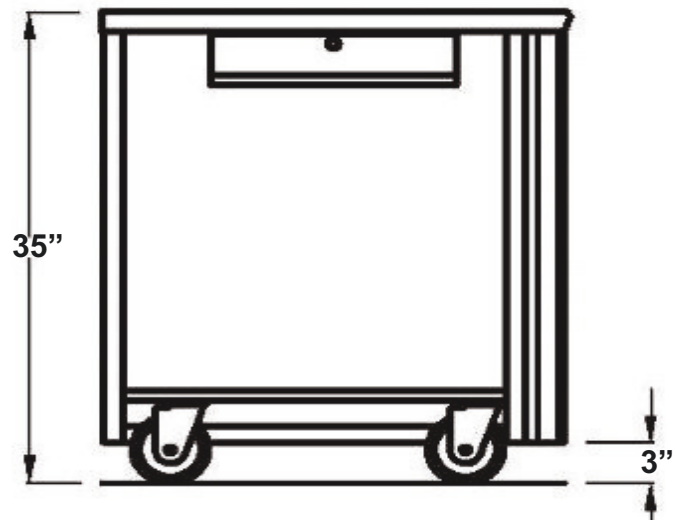


PLAN VIEW
BLM-1 Shown



END VIEW

BLM-1-L Shown



OPERATOR'S SIDE

MODEL	SHIP WT. (LBS)
BLM-1-R	150 (68kg)
BLM-1-L	150 (68kg)
BLM-1	135 (61.2kg)