



APW Wyott TM Built-In Rectangular Food Warmers are designed for top mount installation and to hold heated foods at safe and fresh serving temperatures. APW Wyott TM Series accommodates one 12" X 20" standard food pans or equivalent fractional inset pans while the 12" X 27" extra-deep models hold four each 1/3 size pans or equivalent fractional pans. Both are designed for wet or dry operation..

One-piece stainless steel top ange and heavygauge, deep-drawn stainless steel warming pans are standard features on all models. E-Z Locks are standard for quick and easy installation.

Individual controls for each well provide maximum versatility. Models with thermostatic or in finite controls are available. High-limits prevent overheating. Temperature-ready indicator lights are standard on all control types. Powerful tubular heating elements are located under the warming pans for quick and ef cient heating and for even heat distribution.

OPTIONS

- Drains
- Thermostatic controls
- Optional 72" wiring
- Drain screens
- Drain value extension kit, extension from drain to counter front with remote handle

WARRANTY

- 1-Year Limited Parts & 1-Year Limited Labor Warranty

CERTIFICATIONS

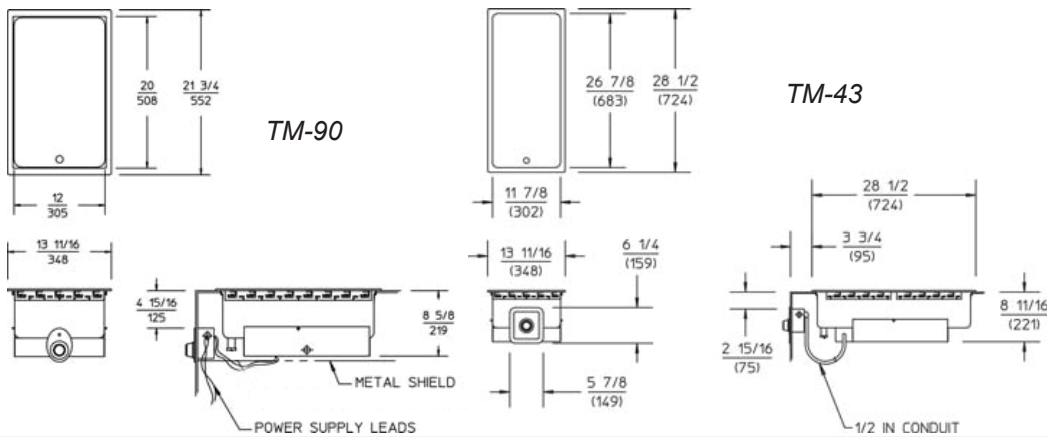
Certified by the following agencies:



FEATURES AT A GLANCE

- TM-90 models accommodate one 12" X 20" standard inset pans or equivalent fractional pans
- TM-43 models accommodate 4 - 1/3-size pans or equivalent fractional pans
- One-piece stainless steel top ange and heavy-gauge, deepdrawn stainless steel warming pans
- Suitable for wet or dry operation (wet recommended for best results)
- Thermostatic controls
- Separate controls for each individual well
- High limits prevent overheating
- Thermostatic controls are recessed in a one-piece, drawn, front-mounted panel
- E-Z Locks are standard for ease of installation
- Powerful tubular heating elements
- ½" drains available
- E-Z Lock extension kit

EQUIPMENT DIMENSIONS



REQUIRED CLEARANCES

Left	2" (51mm)
Back	2" (51mm)
Right	2" (51mm)
Bottom	6 3/4" (171mm)
Front	4 1/8" (105mm)

MECHANICAL SPECIFICATIONS

Model #	Drain	Watts	Voltage	Phase	Amps	Overall Dimensions	Control Panel Dimensions	Ship Weight	Crate Size	Approvals
						Width x Height x Depth (inches / mm)	Width x Height (inches / mm)		(Cubic Meters)	
TM-90S-120	No	1200	120	1	10	13.69" x 21.75" x 8.69" (346 x 552 x 221)	5.88 x 6.25 (149 x 159)	16 (7)	2.9 (0.082)	
TM-90S	No	900	240	1	4.3	13.69" x 21.75" x 8.69" (346 x 552 x 221)	5.88 x 6.25 (149 x 159)	16 (7)	2.9 (0.082)	
		1200	208		5					
TM-90ULS-120	Yes	1650	120	1	13.75	13.69" x 21.75" x 8.69" (346 x 552 x 221)	5.88 x 6.25 (149 x 159)	20 (9)	4.15 (0.117)	
TM-90ULS	Yes	1240	240	1	6	13.69" x 21.75" x 8.69" (346 x 552 x 221)	5.88 x 6.25 (149 x 159)	20 (9)	4.15 (0.117)	
		1650	208		6.9					
TM-90DS-120	Yes	1200	120	1	10	13.69" x 21.75" x 8.69" (346 x 552 x 221)	5.88 x 6.25 (149 x 159)	16 (7)	2.9 (0.082)	
TM-90DS	Yes	1240	240	1	6.9	13.69" x 21.75" x 8.69" (346 x 552 x 221)	5.88 x 6.25 (149 x 159)	16 (7)	2.9 (0.082)	
		1650	208		9.0					
TM-90DULS-120	Yes	1650	120	1	13.75	13.69" x 21.75" x 8.69" (346 x 552 x 221)	5.88 x 6.25 (149 x 159)	21 (10)	4.15 (0.117)	
TM-90DULS	Yes	1240	240	1	6	13.69" x 21.75" x 8.69" (346 x 552 x 221)	5.88 x 6.25 (149 x 159)	21 (10)	4.15 (0.117)	
		1650	208		6.9					
TM-43ULS-120	No	1650	120	1	13.75	13.69" x 28.50" x 8.69" (346 x 724 x 221)	5.88 x 6.25 (149 x 159)	22 (10)	3.85 (0.109)	
TM-43DULS-120	Yes	1650	120	1	13.75	13.69" x 21.75" x 8.69" (346 x 552 x 221)	5.88 x 6.25 (149 x 159)	22 (10)	3.85 (0.109)	
TM-43DULS	Yes	1240	240	1	6	13.69" x 21.75" x 8.69" (346 x 552 x 221)	5.88 x 6.25 (149 x 159)	22 (10)	3.85 (0.109)	
		1650	208		6.9					

Freight Class: 100

FOB: Smithville, 37166

APW Wyott reserves the right to modify specifications or discontinue models without incurring obligation. Dimensions nominal.