



EG-24S

APW Wyott electric countertop griddle will be constructed in the U.S.A. with a corrosion-resistant stainless steel body. The griddle plate will be 0.75-inch (19 mm) thick and will have a polished steel surface. The heating elements will allow control of each twelve [12] inch (305 mm) section and have an independent control for each section. The temperature will be controlled by snap-action thermostats from 150° F (66° C) up to 450° F (232° C). The unit will have one [1] grease drawer. The griddles will be ready to hard-wire to an appropriate electrical connection. Models will operate on 208 V/240 V service. The griddles will be supplied with four [4] inch (102 mm) tall legs that have an adjustment of 1.375 inches (35 mm).

APW Wyott electric griddles are designed to be reliable, efficient, and accurate. Each twelve [12] inch (305 mm) section has its own independent temperature control and the griddle surface is 0.75-inch (19 mm) thick, providing even cooking of a variety of products at the same time.

WARRANTY

These units come with a one [1] year warranty for parts and labor.

CERTIFICATIONS

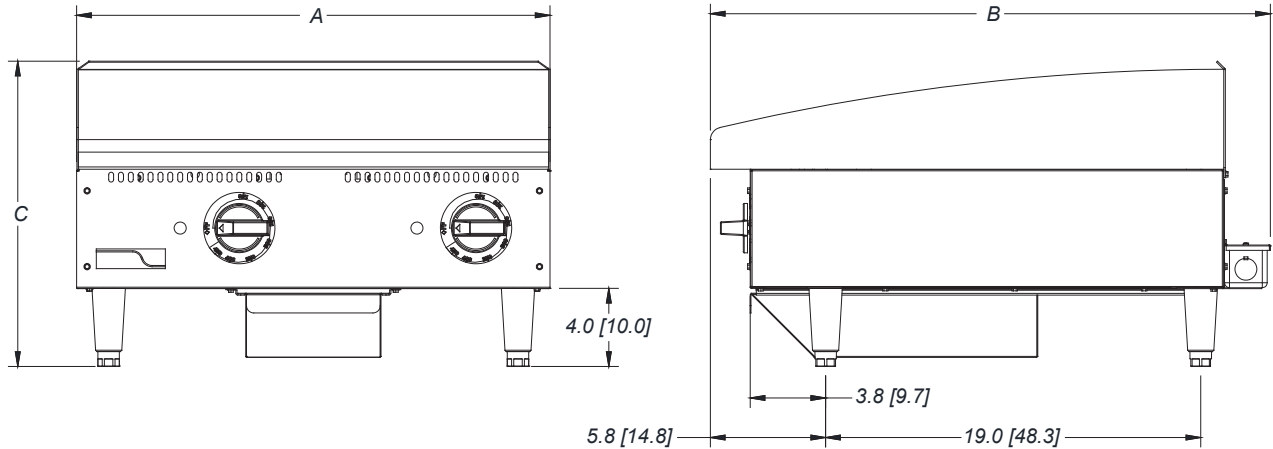
Certified by the following agencies:



FEATURES AT A GLANCE

- 3–4 kilowatts per twelve inch (305 mm) section of griddle, with individual controls for each section
- Positive-off, snap-action thermostat allows for precise control of temperature from 150° F (66° C) to 450° F (232° C)
- Stainless steel bullnose and front panel
- 0.75-inch (19 mm) thick polished steel surface
- 3.25-inch wide front grease trough

EQUIPMENT DIMENSIONS (EG-24S SHOWN BELOW)



MECHANICAL SPECIFICATIONS

Model #	Overall Dimensions		Leg Width	Ship Weight (lbs. / Kilos)	Installed Weight (lbs. / Kilos)
	Width (A) x Height (C) x Depth (B)	(inches / mm)			
EG-24S	24" x 15.5" x 28.5"	(61.0 x 39.4 x 48.3)	19" (48.3)	175 (79.4)	165 (74.8)
EG-36S	36" x 15.5" x 28.5"	(91.4 x 39.4 x 48.3)	32.75" (83.2)	262 (118.9)	247 (112.0)
EG-48S	48" x 15.5" x 28.5"	(121.0 x 39.4 x 48.3)	44.75" (113.7)	350 (158.9)	330 (149.7)

NOMINAL AMPS PER LINE WIRE

Model #	208V 3PH			240V 3PH			208V	240V
	X	Y	Z	X	Y	Z	1 PH	1 PH
	EG-24S	14.4	25	14.4	16.7	28.9	16.7	28.9
EG-36S	25	25	25	28.9	28.9	28.9	43.3	50.0
EG-48S	38.2	25	38.2	44.2	28.9	44.2	57.8	66.7

3 PHASE LOADING KW PER PHASE

Model #	208V	240V	Phase	208V 50/60 HZ			240V 50/60 HZ		
				X-Y	Y-Z	X-Z	X-Y	Y-Z	X-Z
				EG-24S	6 KW	8 KW	3	3	3
EG-36S	9 KW	12 KW	3	3	3	3	4	4	4
EG-48S	12 KW	16 KW	3	3	3	6	4	4	8

Freight Class: 100
 FOB: Smithville, 37166

APW Wyott reserves the right to modify specifications or discontinue models without incurring obligation. Dimensions nominal.