

P120E "B"

Modular electric oven for pizzeria

COMPOSITION WITH 1 BAKING CHAMBER



OPTIONS AND ACCESSORIES (WITH SURCHARGE)

- Leavening prover on wheels, height 800mm (31 1/2")
- Support with wheels, height 600mm (23 1/2")
- Support with wheels, height 800mm (31 1/2")
- Support with wheels, height 950mm (37 1/2")
- Additional tray holder guides for compartment and support
- Spacer element height 300mm (12")
- Suction hood

(WITHOUT SURCHARGE)

- Front vapour collection hood in stainless steel sheet

EXTERNAL CONSTRUCTION

- Structure made in folded stainless steel
- Side panels in pre-painted sheet metal
- Stainless steel hood with aluminised steel top cover
- Front vapour collection hood in HT coating steel sheet
- Steam duct in stainless steel plate
- Stainless steel double door with bottom hinge and spring balance
- Tempered glass element
- Handles in thermoplastic material
- Control panel on front right hand side

INTERNAL CONSTRUCTION

- Refractory brick cooking surface
- Aluminated steel top and side structure
- Rock wool heat insulation

FUNCTIONING

- Heated by armoured heating elements
- Electronic temperature management with independent adjustment of ceiling and floor
- Maximum temperatura reached 450°C (840°F)
- Continuous temperature monitoring with thermocouple
- Vapour ducting using manual butterfly valve

STANDARD EQUIPMENT

- Lighting with halogen lamp
- Timer
- Economiser
- Independent maximum temperature safety device
- 20 customisable programs



MORETTI FORNI S.P.A.

www.morettiforni.com

info@morettiforni.com

Via A.Meucci, 4 - 61037 Mondolfo (PU) ITALIA

Tel. +39.0721.96161 - Fax +39.0721.9616299

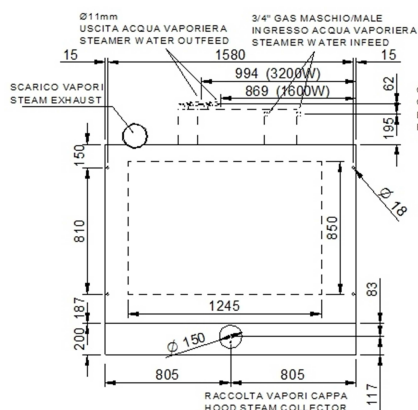


P120E "B"

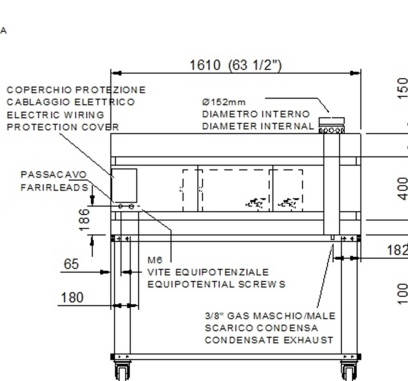
1 baking chamber height 18cm (7")

(assembled with support height 950mm (37 1/2"))

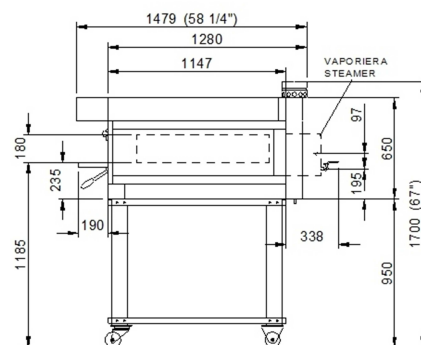
TOP VIEW



REAR VIEW



RIGHT SIDE VIEW



Note: The dimensions indicated in the views are in millimeters. Steamer for Bakery only.

SPECIFICATIONS

The appliance comprises one cooking element and an optional leavening compartment or support. The oven cooking surface is made of refractory, allowing perfect heat distribution over the whole surface and making this oven particularly suitable for use by pizza cooks. Temperature adjustment is electronic, with independent control of the ceiling and floor heating elements. The oven door is hinged at the bottom, with a tempered glass window to check the state of the product while it is cooking. The support comprises a painted metal structure, whereas the leavening compartment has a stainless steel structure and is fitted with a heating thermostat. The leavening compartment can reach a maximum temperature of 65°C (150°F), whereas the maximum temperature of the baking chamber is 450°C (840°F)

All the data provided below refer to the configuration with 1 baking chamber

DIMENSIONS

External height	1700mm (67")
External depth	1479mm (58 1/4")
External width	1610mm (63 1/2")
Weight	272kg (600lb)
Baking surface	1,1m ² (11,84ft ²)

SHIPPING INFORMATION

Packed in wooden crate	
Height	900mm (36")
Depth	1652mm (65")
Width	1810mm (72")
Weight	(322)kg (710)lb

FEEDING AND POWER

<i>Standard feeding</i>	
A.C. V240 3ph	
<i>Feeding on request</i>	
A.C. V208 3ph	
Frequency	60Hz
Max power	10,1kW
*Average power cons	5kWh
Ampère Max	
24,3A (V240 3ph)	
28,1A (V208 3ph)	
Connecting cable	
(8AWG)	
Power supply (optional prover)	
A.C. V(208/240) 1ph 60 Hz	
Max power	1,8kW
*Average power cons	0,9kWh
Conn. Cable (14AWG)	

TOTAL BAKING CAPACITY

Tray (600x400)mm	4
Tray 26"x18"	3
Pizza diameter 300mm (12")	8
Pizza diameter 450mm (18")	4

When combined with leavening compartment or support:	
Max height	1850mm (73")
Max weight	(431)kg (951)lb

* This value is subject to variation according to the way in which the equipment is used

- NOTE: MORETTI FORNI S.P.A. reserves the right to modify the characteristics of the products illustrated in this publication without prior notice