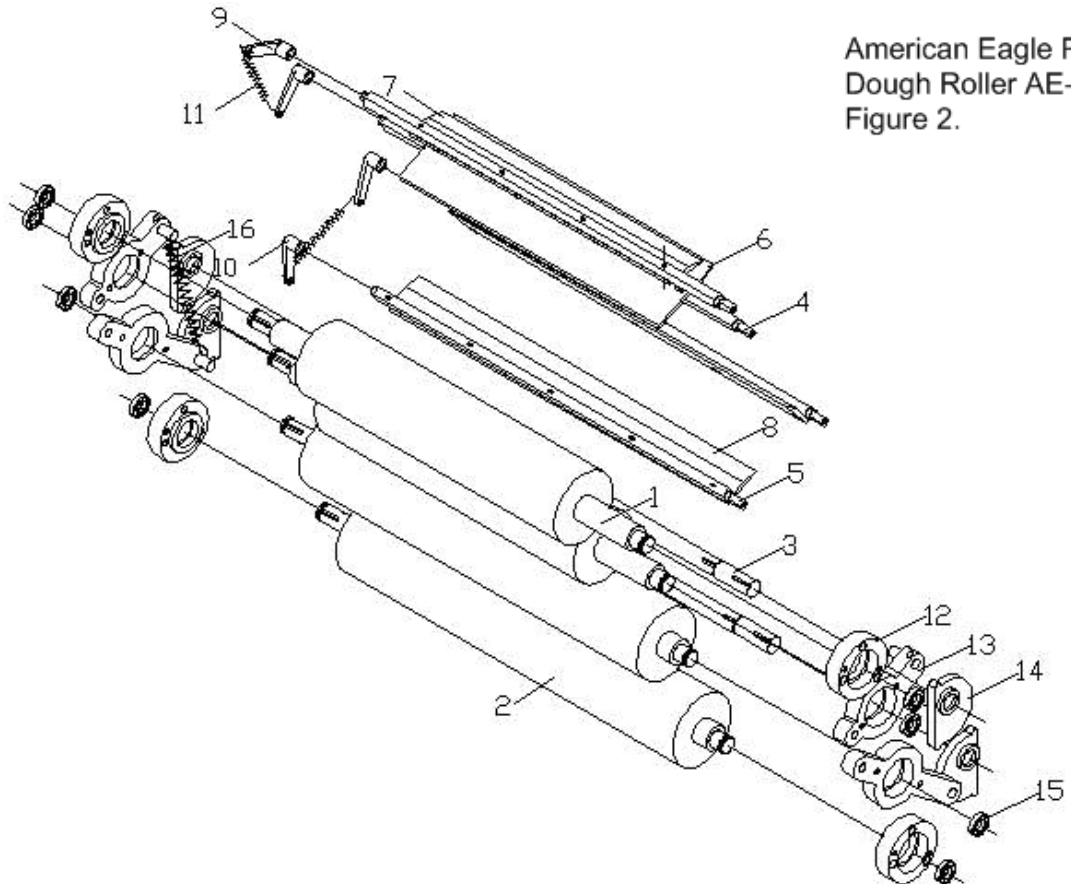


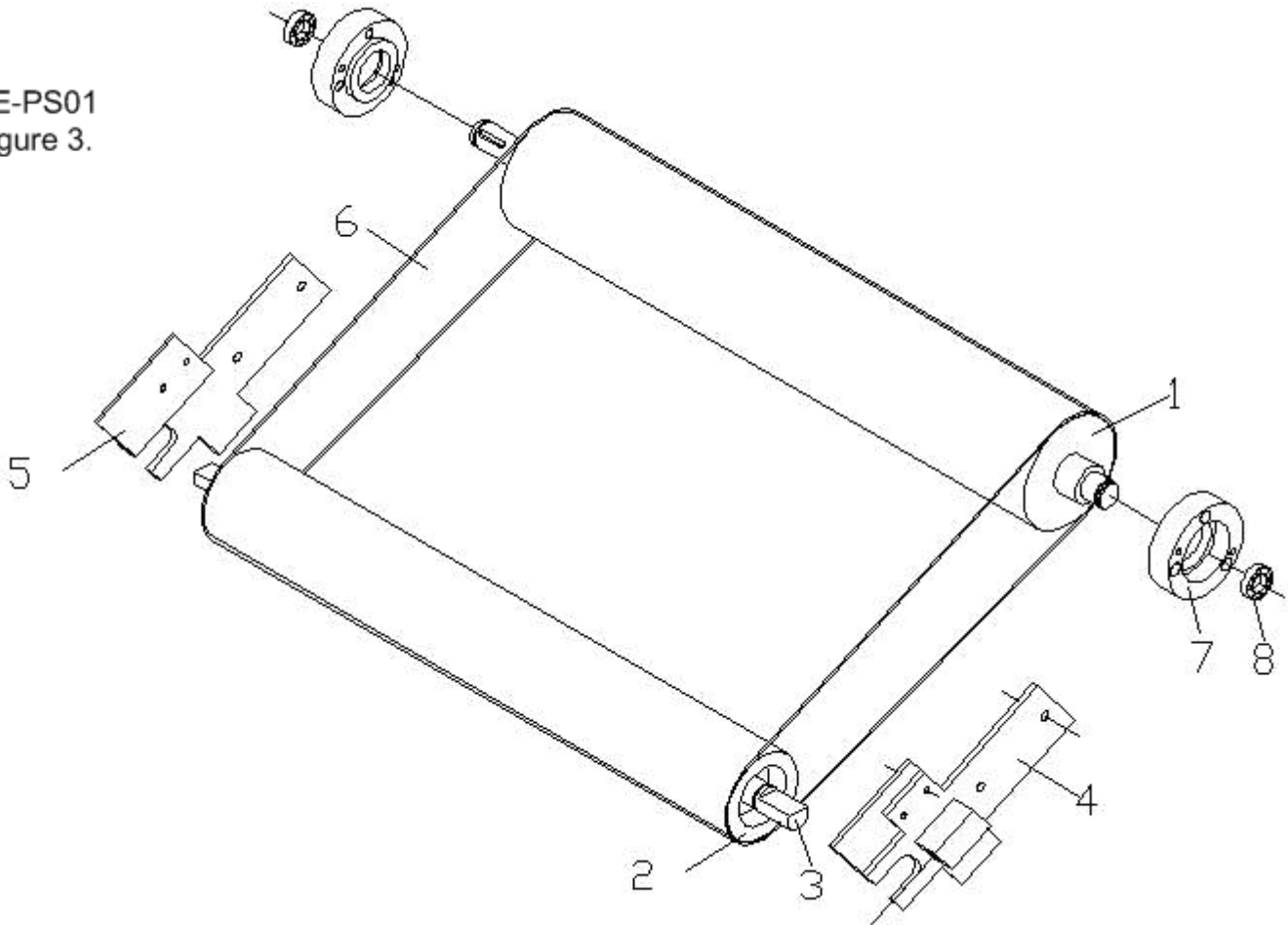
American Eagle AE-PS01
Pizza Dough Roller

Figure 1.

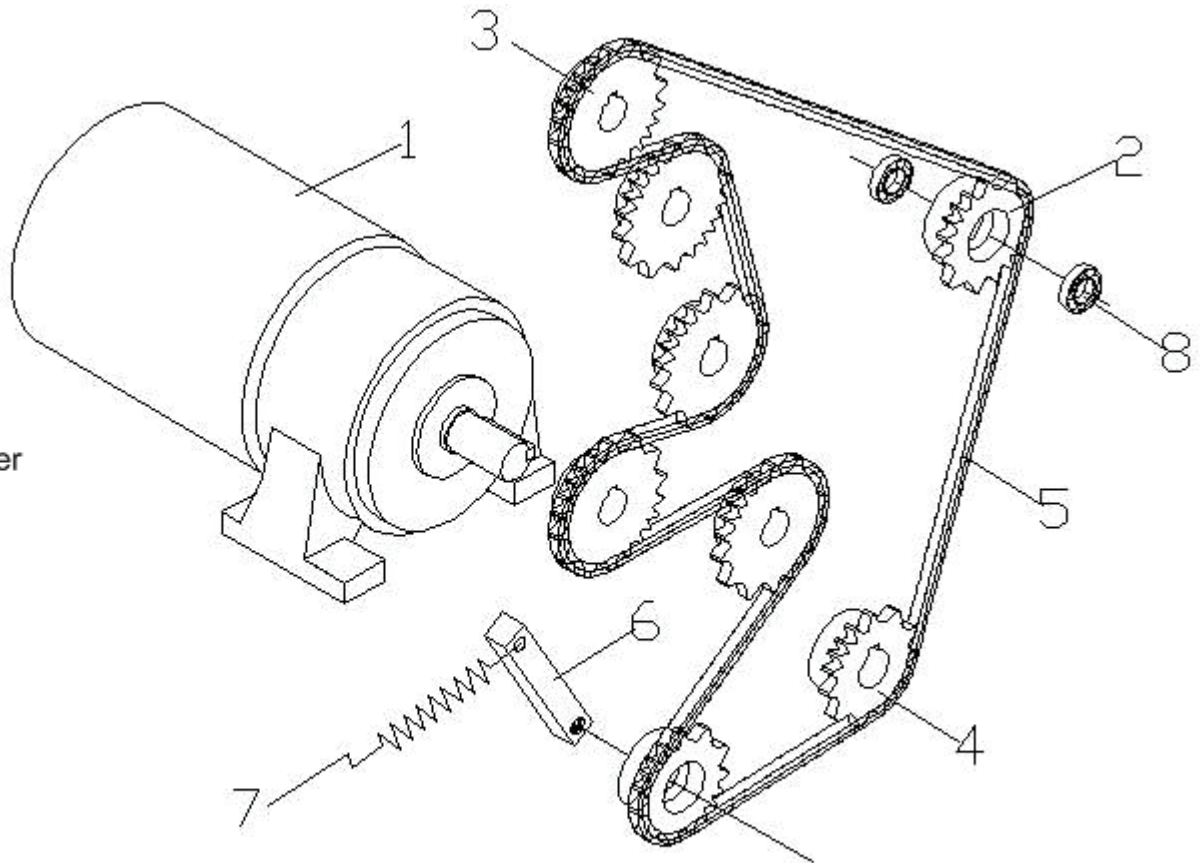


American Eagle Pizza
Dough Roller AE-PS01
Figure 2.

AE-PS01
Figure 3.



AE-PS01
Pizza Dough Roller
Figure 4.



AMERICAN EAGLE FOOD MACHINERY, INC.
 3557 South Halsted Street // Chicago, Illinois 60609-1606
 Tel (773) 376-0800 • Fax (773) 376-2010 • www.AmericanEagleMachine.com
 AE-P501 Dough Roller Parts List

| | FIGURE 1 | FRAME ASSEMBLY | |
|---------|-----------------|-------------------------|-----|
| ILL NO. | PARTS NO | PART NAME | Qty |
| 1 | P300-01-001 | Machine Frame | 1 |
| 2 | P300-01-002 | Cover-Left Side | 1 |
| 3 | P300-01-003 | Cover-Right Side | 1 |
| 4 | P300-01-004 | Top Cover | 1 |
| 5 | P300-01-005 | Level Plate | 1 |
| 6 | P300-01-006 | Rear Cover | 1 |
| 7 | P300-01-007 | Fender | 1 |
| 8 | P300-01-008 | Ramp | 1 |
| 9 | P300-01-009 | Feed Plate | 1 |
| 10 | P300-01-010 | Feeder | 1 |
| 11 | P300-01-011 | Hinge | 1 |
| 12 | P300-01-012A | Frame Support A | 3 |
| 13 | P300-01-012B | Frame support B | 1 |
| 14 | P300-01-012C | Frame Holder C | 1 |
| 15 | P300-01-015 | Machine Handle | 2 |
| 16 | P300-01-016 | Handle of Top Cover | 1 |
| 17 | P300-01-017 | Rubber Foot | 4 |
| 18 | P300-01-018 | Plastic Tube | 2 |
| 19 | P300-01-019 | Scale | 2 |
| 20 | P300-01-020 | Gap Adjusting Hub-Right | 1 |
| 21 | P300-01-021 | Gap Adjusting Hub-Left | 1 |
| 22 | P300-01-022 | Gap Adjusting Handle | 2 |
| 23 | NUT-1/2*20NF | Nut | 2 |
| 24 | P300-01-024 | Bolt Joint | 2 |
| 25 | P300-01-025 | Fix Screw | 2 |
| 26 | P300-01-026 | Fix Bolt | 2 |
| 27 | P300-01-027 | Front Frame Brace A | 1 |
| 28 | P300-01-028 | Front Frame Brace B | 1 |

AMERICAN EAGLE FOOD MACHINERY, INC.
3557 South Halsted Street // Chicago, Illinois 60609-1606
Tel (773) 376-0800 • Fax (773) 376-2010 • www.AmericanEagleMachine.com
AE-P501 Dough Roller Parts List

| ILL NO. | PARTS NO | PART NAME | Qty |
|---------|-----------------|---------------------------|-----|
| | FIGURE 2 | ROLLERS ASSEMBLY | |
| 1 | P300-02-001 | Roller-Upper | 2 |
| 2 | P300-02-002 | Roller-Lower | 2 |
| 3 | P300-02-003 | Rod | 2 |
| 4 | P300-02-004A | Scraper Support Bar A | 2 |
| 5 | P300-02-004B | Scraper Support Bar B | 2 |
| 6 | P300-02-006A | Scraper-Upper A | 1 |
| 7 | P300-02-006B | Scraper-Upper B | 1 |
| 8 | P300-02-008 | Scraper-Lower | 2 |
| 9 | P300-02-009A | Spring Bar A | 2 |
| 10 | P300-02-009B | Spring Bar B | 2 |
| 11 | P300-02-011 | Spring-Scraper | 2 |
| 12 | P300-02-012 | Bearing Seat | 6 |
| 13 | P300-02-013 | Crankshaft | 4 |
| 14 | P300-02-014 | Cam | 4 |
| 15 | BR-6200Z | Ball Bearing #6200Z | 8 |
| 16 | P300-02-016 | Spring-Crankshaft | 1 |
| | FIGURE 3 | CONVEYORS ASSEMBLY | |
| 1 | P300-02-002 | Conveyor Roller-Upper | 1 |
| 2 | P300-03-002 | Conveyor Roller-Lower | 1 |
| 3 | P300-03-003 | Rod | 1 |
| 4 | P300-03-004 | Roller Plate Assembly | 2 |
| 5 | P300-03-005 | Plastic Plate | 2 |
| 6 | P300-03-006 | Conveyor Belt | 1 |
| 7 | P300-02-012 | Roller Seat | 2 |
| 8 | BR-6200Z | Ball Bearing #6200Z | 2 |
| | FIGURE 4 | MOTOR ASSEMBLY | |
| 1 | P300-04-001 | Reducer Motor | 1 |
| 2 | P300-04-002 | 15T Chain Gear | 2 |
| 3 | P300-04-003 | 18T Chain Gear | 5 |
| 4 | P300-04-004 | Chain Gear-Motor | 1 |
| 5 | P300-04-005 | Chain | 1 |
| 6 | P300-04-006 | Square Bar | 1 |
| 7 | P300-04-007 | Spring | 1 |
| 8 | BR-6200Z | Ball Bearing #6200Z | 2 |