



AMERICAN EAGLE[®]
FOOD MACHINERY, INC.

AE-JS12 / JS22 **Countertop** **Jerky Slicer Kits**

773.376.0800 (P) • 773.376.2010 (F) • 3131 S. Canal St. Chicago, IL 60616

American Eagle® Jerky Slicer kits are part of our full line of heavy-duty meat processing machines. Easily slice meat into 1/4" strips that are perfect for making jerky, fajitas, stir-fry, and more!

Quality Design

- Powerful 1 HP (JS12) or 1.5 HP (JS22) Motor
- 100% Gear Driven Transmission With Durable Steel Alloy Gears
- Permanently Lubricated, Sealed Motor Design For Food Safety and Low Maintenance
- Heavy Duty, Single Piece Stainless Steel Combs Prevent Meat From Becoming Trapped Between Blades
- 64 Heavy Duty Circular Blades Mounted On Two Stainless Steel Shafts*
- Attractive, High Polish Stainless Steel Housing With No Sharp Corners or Seams For Easy Cleaning
- Large 7"L x 1.1"W Input Chute Accommodates Big Cuts Of Meat



AE-JS12
1HP JERKY SLICER KIT



AE-JS22
1.5HP JERKY SLICER KIT

Standard Features

- Forward/Reverse switch*
- Motor Overload Protection With Reset
- Standard #12 Hub For Attachments
- Non-Slip Rubber Feet
- Warranty: 1 Year Parts / 1 Year Labor**



Easily Disassembled
Attachment Head For
Cleaning***

Ideal For

- Skirt Steak
- Boneless Chuck
- Tough Game Meat
- Fajita Meat
- Chicken Breast

Optional Accessories

- AE-MC12NH Meat Cutter Head
- AE-TS12H Meat Tenderizer Head
- AE-VS12NH Vegetable Cutter
- AE-G12NH Meat Grinder Head



AE-MC12NH Installed



AE-TS12H



AE-G12NH



AE-VS12NH

Proud Member of:
NAFEM
 North American Association of
 Food Equipment Manufacturers

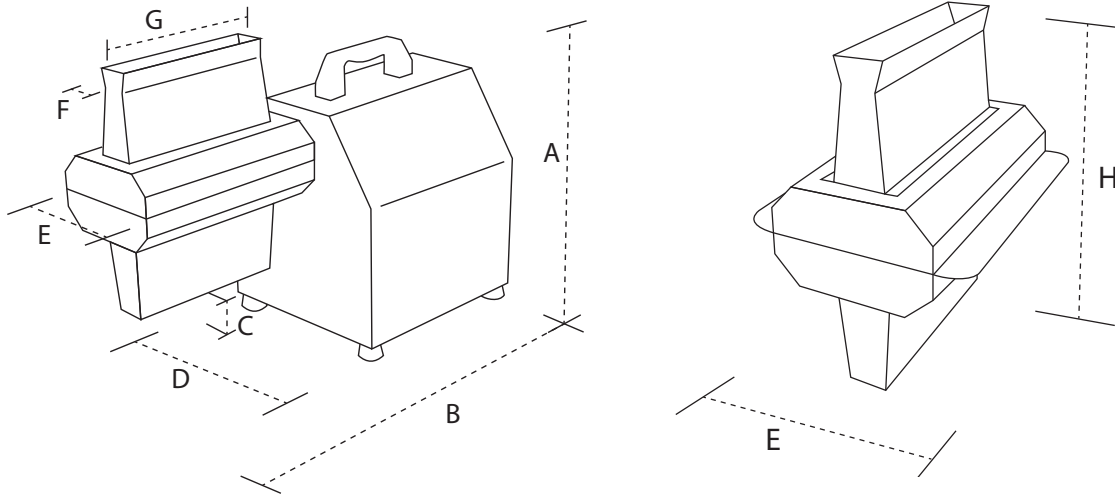
Quality • Value • Reliability



AMERICAN EAGLE[®]
FOOD MACHINERY, INC.

AE-JS12 / JS22
Countertop
Jerky Slicer Kits

sales@ameagle.biz • www.americaneaglemachine.com



Specifications and Shipping Information

Model	Motor	Amps	RPMs	Voltage V/HZ/PH	Input Chute	Blade Diameter	Net Weight	Shipping Dimensions****	Ship Weight****
AE-JS12	1 HP	8	170	115/60/1	7" x 1.1"	2.5"	64 lbs	19" L x 16.5" W x 16" H	69 lbs
AE-JS22	1.5 HP	16	170	115/60/1	7" x 1.1"	2.5"	84 lbs	23" L x 16.5" W x 20" H	89 lbs

Optional AE-MC12NH Meat Cutter Head

- Durable stainless steel construction, fits standard #12 hub
- Easily and quickly cut a variety of meats

Optional AE-TS12H Meat Tenderizer Head

- Durable stainless steel construction, fits standard #12 hub
- Transforms tougher meats into delicious, salable product

Optional AE-G12NH Meat Grinder Head

- Includes Stainless Steel Feeder Pan, Meat Pusher and Stuffer Tube (3/4"), 1/4" (6mm) and 5/16" (8mm) Stainless Steel Plates, and a Stainless Steel Knife

Optional AE-VS12NH Vegetable Processor

- Dual Hopper Chamber accommodates large variety of items, fits standard #12 hub, comes with 1/4" SS Shredding Plate
- Optional Slicer Plate is adjustable to following sizes using spacers: 1/16" (none), 1/8" (thin spacer), 3/16" (thick spacer)
- Optional Shredder Plate sizes available: 1/4", 5/16"

Measurements

Dimension	AE-JS12		AE-JS22	
A	14 in	35.6 cm	17.1 in	43.4 cm
B	19.25 in	48.9 cm	20.5 in	52.1 cm
C	3.6 in	9.1 cm	6.5 in	16.5 cm
D	9.5 in	24.1 cm	9.7 in	24.6 cm
E	7.4 in	18.8 cm	7.4 in	18.8 cm
F	1 in	2.5 cm	1 in	2.5 cm
G	7.1 in	18 cm	7.1 in	18 cm
H	10.25 in	26 cm	10.25 in	26 cm

* Feeding bones through the jerky slicer will cause damage not covered under warranty. Reverse mode should only be used with meat grinder head, using reverse on any other attachment may cause damage not covered by warranty.

** Warranty must be registered. Please refer to manual on proper assembly. Improper use voids warranty. 1 year labor warranty only applies to machines manufactured starting from 2016. Warranty does not cover accessories such as combs or wear and tear items such as knives or blades.

*** Jerky Slicer head is hand wash only. A wire brush or air compressor is recommended to thoroughly clean in between the blades.

**** May Ship In Two Boxes, Estimated Combined Dimensional Weight



Quality • Value • Reliability