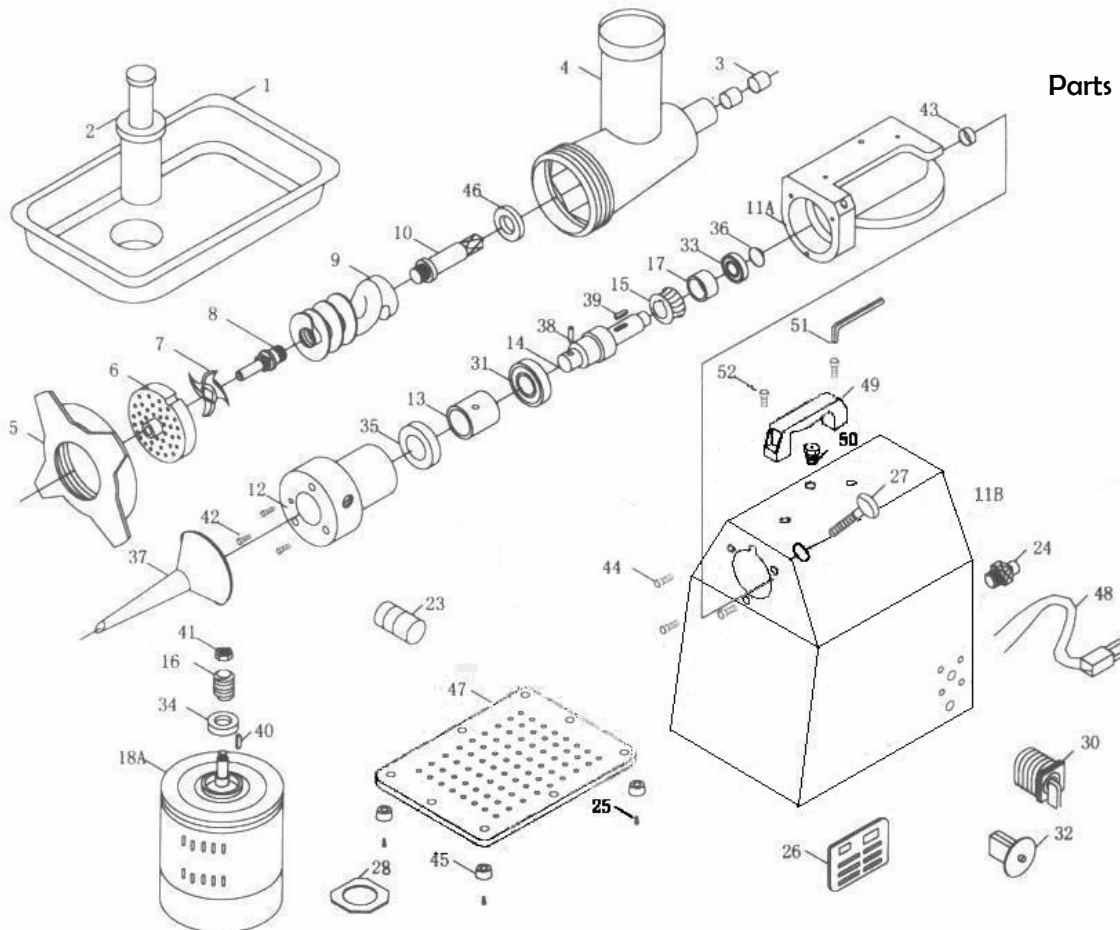
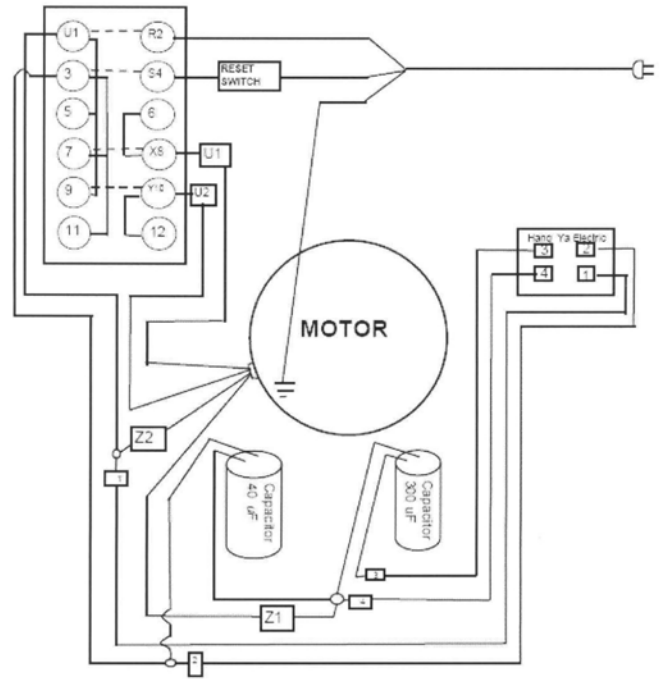


AE-G22N Commercial Meat Grinder Parts List & Wiring Diagram

Parts List (refers to diagram below)

AE-G22N/01	Feeder Pan	AE-G22N/02	Meat Pusher
AE-G22N/03	Oil Bearing	AE-G22N/04	T-shaped Chamber
AE-G22N/05	Coupling Cover	AE-G22N/06	Pressure Plate
AE-G22N/07	Stainless Steel Cutter	AE-G22N/08	Holder
AE-G22N/09	Spiral Propeller	AE-G22N/10	Plunger
AE-G22N/11A	Gear Box	AE-G22N/11B	Housing
AE-G22N/12	#12 Attachment Hub	AE-G22N/13	Hub Shaft
AE-G22N/14	Worm Shaft	AE-G22N/15	Worm Gear
AE-G22N/16	Worm	AE-G22N/17	Spacer
AE-G22N/18A	Motor	AE-G22N/23A	Capacitor 55uF
AE-G22N/23B	Capacitor 300 uF	AE-G22N/24	Cable Tie
AE-G22N/25	Screw	AE-G22N/26	Specification Plate
AE-G22N/27	Thumb Screw	AE-G22N/28	Centrifugal Governor Plate
AE-G22N/29	Centrifugal Governor	AE-G22N/30	Forward & Reverse Switch
AE-G22N/31	Ball Bearing	AE-G22N/32	Reset Button
AE-G22N/33	Ball Bearing	AE-G22N/34	Oil Seal
AE-G22N/35	Oil Seal	AE-G22N/36	C-Type Snap Ring
AE-G22N/37	Meat Funnel	AE-G22N/38	Pin
AE-G22N/39	Key	AE-G22N/40	Key
AE-G22N/41	Nut	AE-G22N/42	Screw
AE-G22N/43	Oil Cover	AE-G22N/44	Screw
AE-G22N/45	Rubber Foot	AE-G22N/46	Cap Screws
AE-G22N/47	Bottom Plate	AE-G22N/48	Power Cord & Plug
AE-G22N/49	Handle	AE-G22N/50	Grease Taper
AE-G22N/51	Screw	AE-G22N/52	Screw
AE-G22N/53	Teflon Washer	AE-G22N/60	Fan
AE-G22N/65S	Electronic Starter New	AE-G22N/65S	Electronic Starter New

Wiring Diagram Approved July 15, 2008



Parts Diagram