



**AMERICAN EAGLE**<sup>®</sup>  
**FOOD MACHINERY, INC.**

**AE-DSE45B / 52B**  
**Elite Series Countertop**  
**Dough Sheeters**

773.376.0800 (P) • 773.376.2010 (F) • 3131 S. Canal St. Chicago, IL 60616

**AE-DSE52B SHOWN**

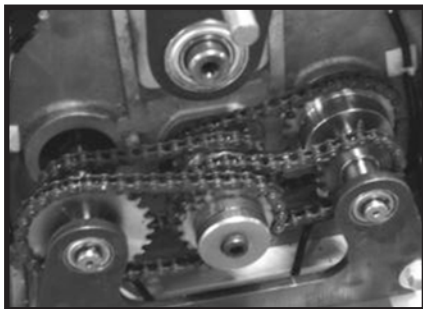


**Fold Up Working Surface**  
**Saves Counter Space!**



### Quality Design

- Powerful 1/2 HP Motor
- Reversible Sheet With Sync Drive (Output Conveyor Is Faster Than Input)
- 100% Gear And Chain Driven Transmission
- Heavy Duty Canvas Belts Mounted On Integrated Roller Guides Minimize Conveyor Adjustments
- Enamel Clear Layer Finish Heat Treated On White Body Panels Resist Rust, Scratches And Dents
- Thermal Overload Protection With Reset Button Protects Motor
- ETL And CE Certified



**Heavy Duty Steel Gears**  
**Mounted On Ball Bearings**  
**Drive A Permanently Lubricated**  
**Chain For Minimal Maintenance!**

### Standard Features

- Independent On/Off Switch And Emergency Stop
- Dual Catch Pans, One On Each End
- Main Roller Adjustment Lever With Integrated Lock
- Convenient Front Mounted Motor Control Lever
- OSHA Compliant Safety Guard With Auto-Shutoff
- Warranty: 1 Year Parts / 1 Year Labor\*



**Extra Large Front Mounted Controls**

### Integrated Lock



Proud Member of:  
**NAFEM**  
 North American Association of  
 Food Equipment Manufacturers

**Quality • Value • Reliability**



**AMERICAN EAGLE**<sup>®</sup>  
**FOOD MACHINERY, INC.**

**AE-DSE45B / 52B**  
**Elite Series Countertop**  
**Dough Sheeters**

sales@ameagle.biz • www.americaneaglemachine.com

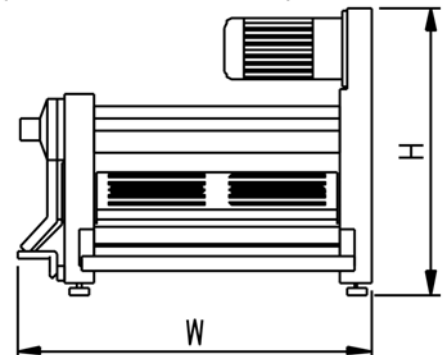
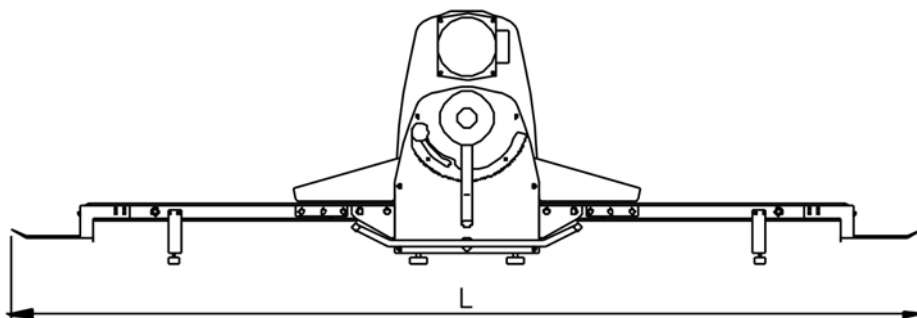
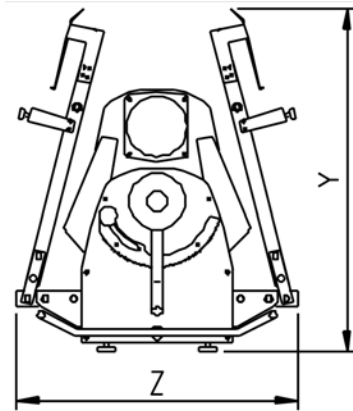
**Our Elite Series Machines Feature Premium Design, Safety Features, And Reliability. Lower Your Total Cost Of Ownership And Enjoy Peace Of Mind With A Longer Labor Warranty!**

**Specifications**

Model	Motor	Voltage V/Hz/PH	Amps	Main Roller Size	Adjustable Thickness	Max Dough Batch**	Working Surface	Safety Guard	Foot Pedals
AE-DSE45B	1/2 HP	220/60/1	5	3.5" Dia x 18.5" L (9cm x 47cm)	.004" to 1.18" (0.1 to 30mm)	8.82 lbs 4 kg	17.7" x 67" 45cm x 170cm	Yes	No
AE-DSE52B	1/2 HP	220/60/1	5	3.5" Dia x 21.5" L (9cm x 55cm)	.004" to 1.18" (0.1 to 30mm)	12.13 lbs 5.5 kg	20.5" x 67" 52cm x 170cm	Yes	No

**Measurements**

Dimension	AE-DSE45B		AE-DSE52B	
L	70.9 in	180 cm	70.9 in	180 cm
W	31.9 in	81 cm	35.8 in	91 cm
H	23.6 in	60 cm	23.6 in	60 cm
Z	27.6 in	70 cm	27.6 in	70 cm
Y	32 in	80 cm	31.5 in	80 cm



**Dimensions and Shipping Information**

Model	Overall Dimensions	Shipping Dimensions***	Net Weight	Ship Weight	Freight Class
AE-DSE45B	70.9" L x 31.9" W x 23.6" H (180cm x 81cm x 60cm)	48" L x 40" W x 45" H (122cm x 102cm x 114cm)	261 lbs (118 kg)	364 lbs (165 kg)	85
AE-DSE52B	70.9" L x 35.8" W x 23.6" H (180cm x 90cm x 62cm)	48" L x 40" W x 45" H (122cm x 102cm x 114cm)	274 lbs (124 kg)	377 lbs (171 kg)	85

\*Warranty must be registered. Improper electrical connection voids warranty. Ensure supplied power matches specification on nameplate

\*\*Weights are approximate and assume 60% AR ratio for typical bread dough, adjust load accordingly, overloading voids warranty

\*\*\*Crates are affixed to a skid (pallet). The weight and dimensions of this skid are included above and may vary from shipment to shipment.



**Quality • Value • Reliability**