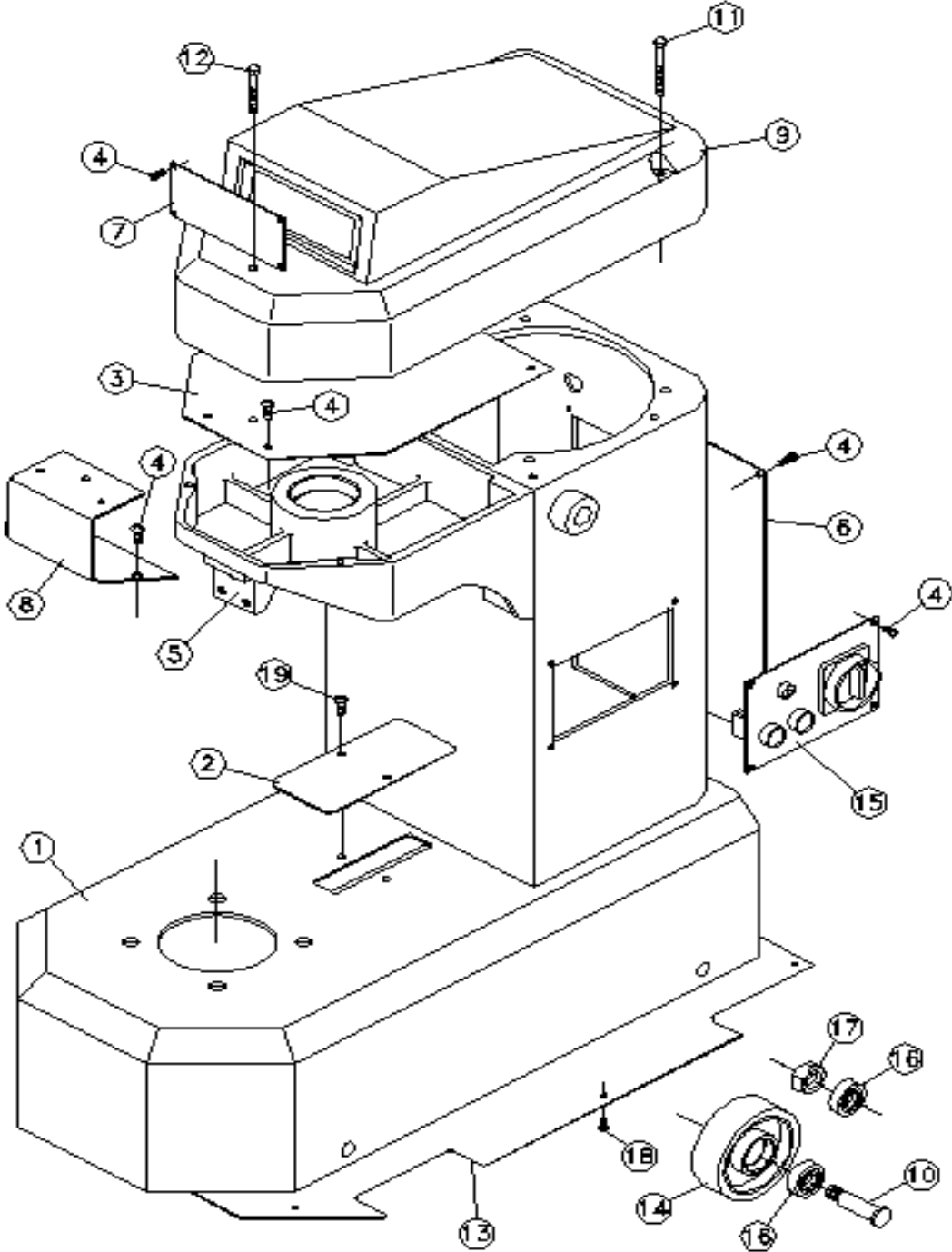


American Eagle Food Machinery, Inc. AE-1220 Parts List

Figure 1. TOP COVER & COLUMN

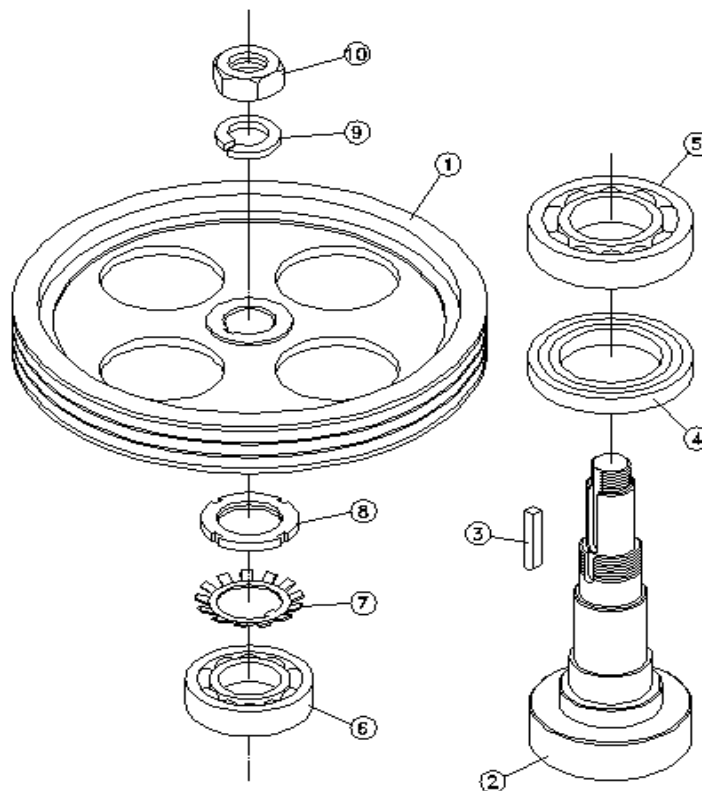


American Eagle Food Machinery, Inc. AE-1220 Parts List

	Description or Name	AE Part No.	Qty
1	Column	AE-1220/01-01	1
2	Cover	AE-1220/01-02	1
3	Plate	AE-1220/01-03	1
4	Mach Screw 3/16*3/16	AE-1220/01-04	4
5	Head	AE-1220/01-05	1
6	Rear Cover	AE-1220/01-06	1
7			1
8	Support Of Plate	AE-1220/01-08	1
9	Top Cover	AE-1220/01-09	1
10	Wheel Shaft	AE-1220/01-10	4
11	Bolt 1/4*3	AE-1220/01-11	2
12	Bolt 1/4*2	AE-1220/01-12	1
13	Bottom Plate	AE-1220/01-13	1
14	Wheel	AE-1220/01-14	4
15	Control Panel	AE-1220/01-15	1
16	Ball Bearing	AE-1220/01-16	8
17	NUT 1/2*12NC	AE-1220/01-17	4
18	Mach Screw 3/16*1/4	AE-1220/01-18	4
19	Mach Screw 1/4*1/4	AE-1220/01-19	2

American Eagle Food Machinery, Inc. AE-1220 Parts List

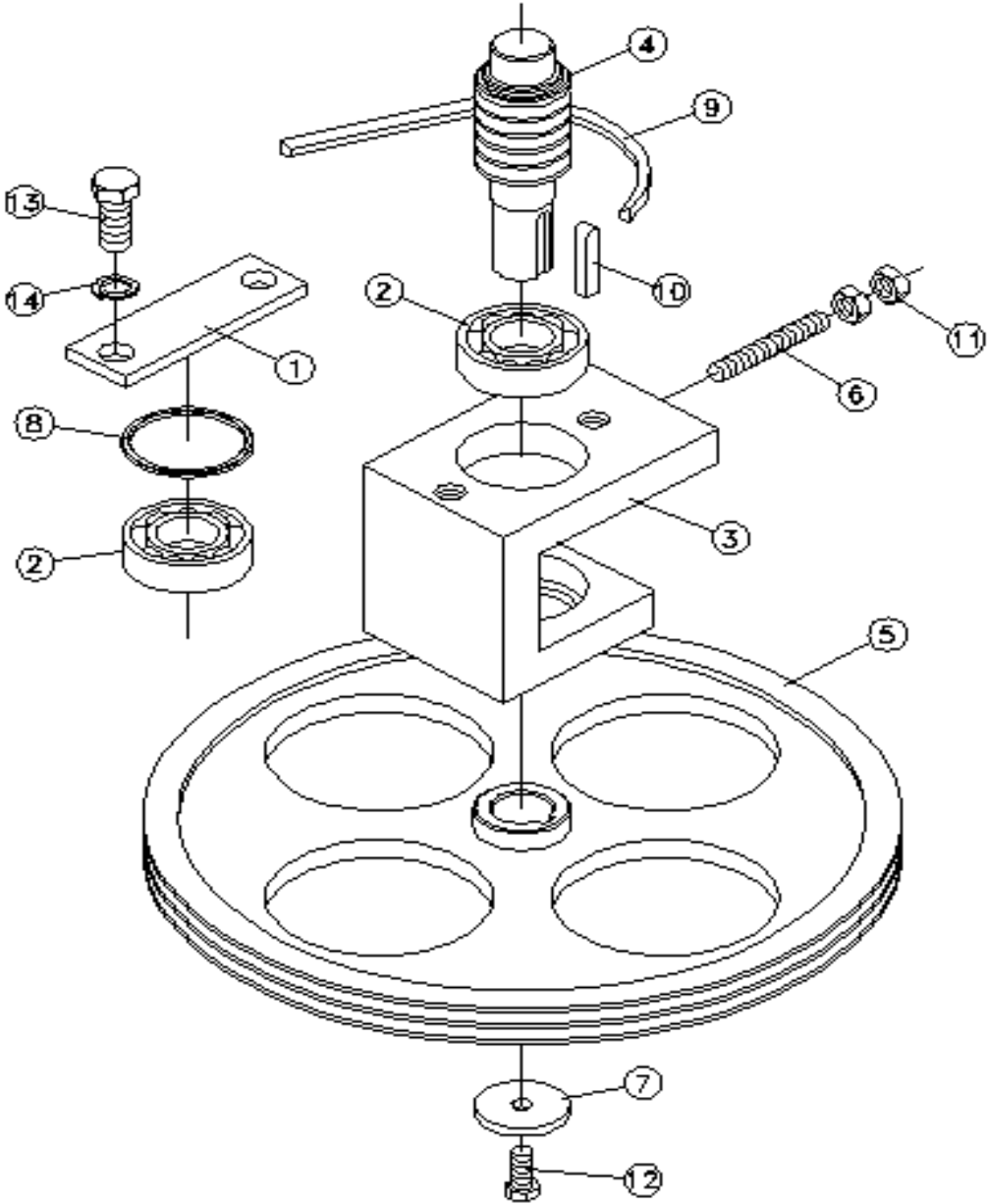
Figure 2. MAIN SHAFT



	Description or Name	AE Part No.	Qty
1	Pulley	AE-1220/02-01	1
2	Main Shaft	AE-1220/02-02	1
3	KEY 6*6*35	AE-1220/02-03	1
4	Oil Seal TC50*80*10	AE-1220/02-04	1
5	Ball Bearing 6208Z	AE-1220/02-05	1
6	Ball Bearing 6206Z	AE-1220/02-06	1
7	Lock Washer M30	AE-1220/02-07	1
8	Lock NUT MN30	AE-1220/02-08	1
9	Spring Washer 3/16	AE-1220/02-09	1
10	NUT 3/4*16NF	AE-1220/02-10	1

American Eagle Food Machinery, Inc. AE-1220 Parts List

Figure 3. BOWL TRANSMISSION

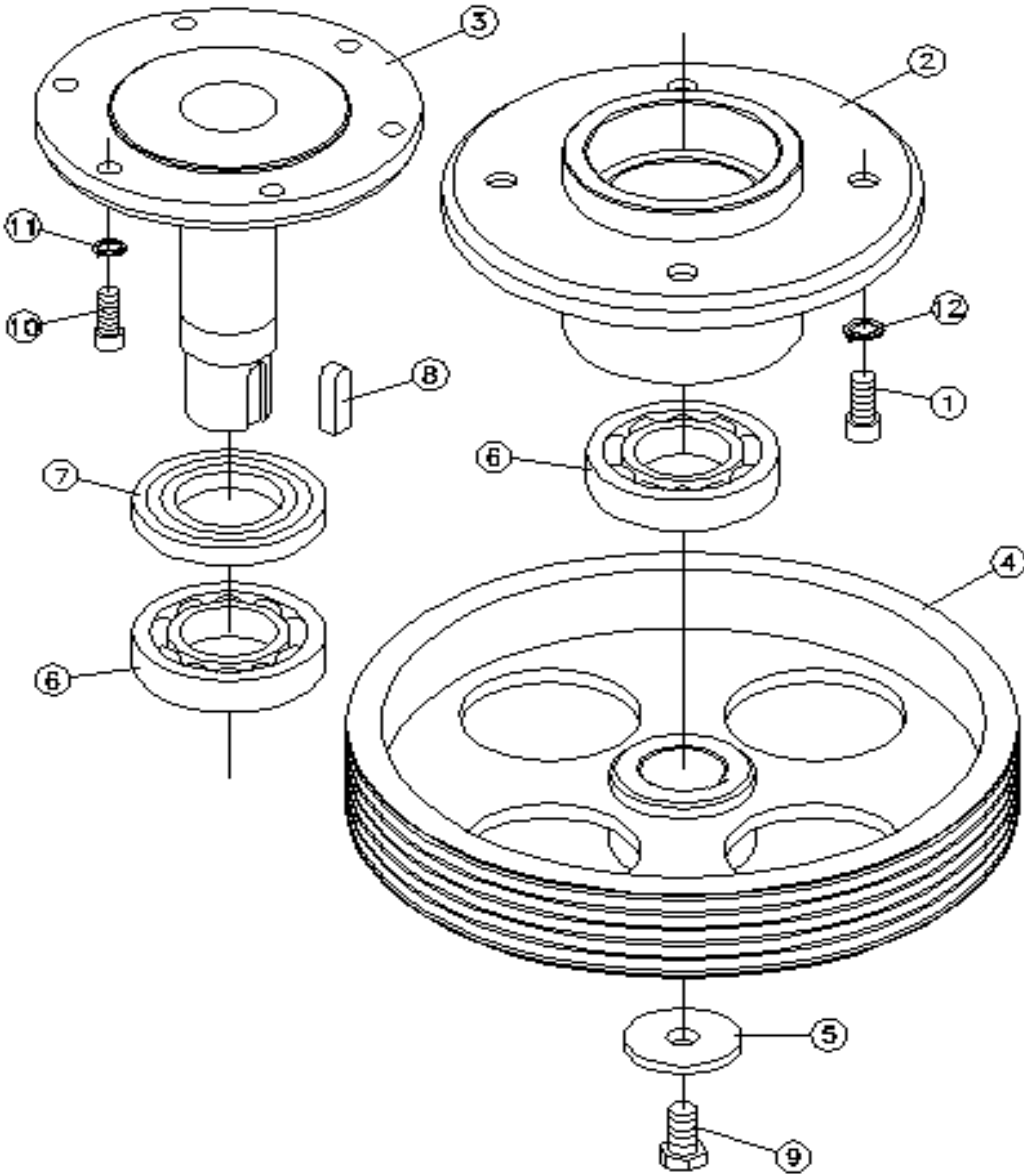


American Eagle Food Machinery, Inc. AE-1220 Parts List

	Description or Name	AE Part No.	Qty
1	Fixed Plate	AE-1220/03-01	1
2	Ball Bearing 6205	AE-1220/03-02	2
3	Bearing Seat	AE-1220/03-03	1
4	Pulley	AE-1220/03-04	1
5	Transmission Pulley	AE-1220/03-05	1
6	Adjusting Screw	AE-1220/03-06	1
7	Flat Washer	AE-1220/03-07	1
8	Flat Washer	AE-1220/03-08	1
9	Belt 7M*1000	AE-1220/03-09	3
10	Key 7*7*35	AE-1220/03-10	1
11	NUT 3/8*16NC	AE-1220/03-11	2
12	Bolt 3/8*3/4	AE-1220/03-12	1
13	Bolt 1/2*3/4	AE-1220/03-13	2
14	Spring Washer 1/2	AE-1220/03-14	2

American Eagle Food Machinery, Inc. AE-1220 Parts List

Figure 4. BOWL SHAFT

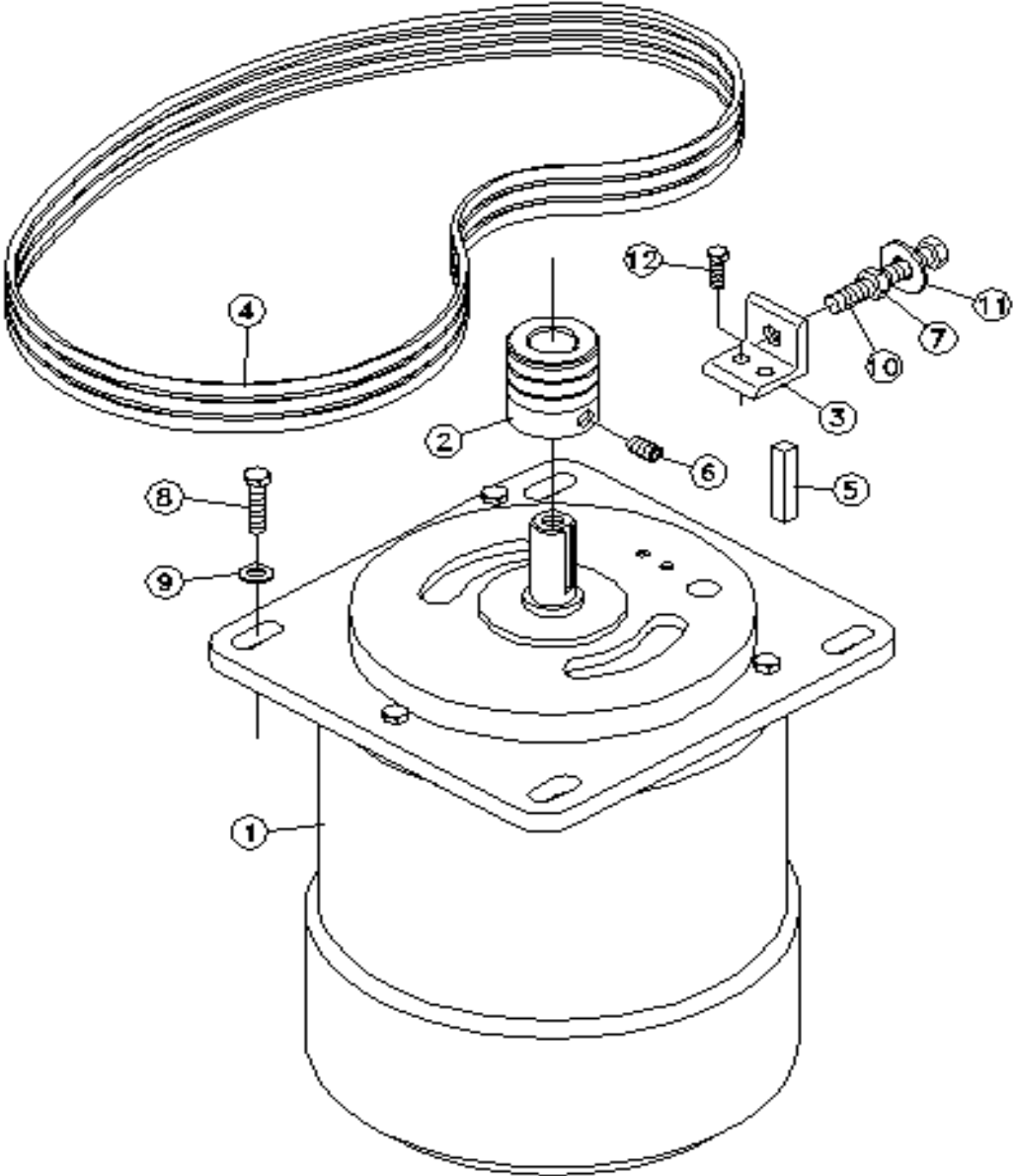


American Eagle Food Machinery, Inc. AE-1220 Parts List

	Description or Name	AE Part No.	Qty
1	Cap Screw 1/2*3/4	AE-1220/04-01	4
2	Bearing Seat	AE-1220/04-02	1
3	Bowl Support & Shaft	AE-1220/04-03	1
4	Bowl Pulley	AE-1220/04-04	1
5	Flat Washer	AE-1220/04-05	1
6	Ball Bearing 6208Z	AE-1220/04-06	2
7	Oil Seal TC45*80*10	AE-1220/04-07	1
8	Key 10*8*35	AE-1220/04-08	1
9	Bolt 1/2" * 1"	AE-1220/04-09	1
10	Cap Screw 3/8" * 1"	AE-1220/04-10	6
11	Spring Washer 3/8	AE-1220/04-11	6
12	Spring Washer 1/2	AE-1220/04-12	4

American Eagle Food Machinery, Inc. AE-1220 Parts List

Figure 5. AGITATOR MOTOR

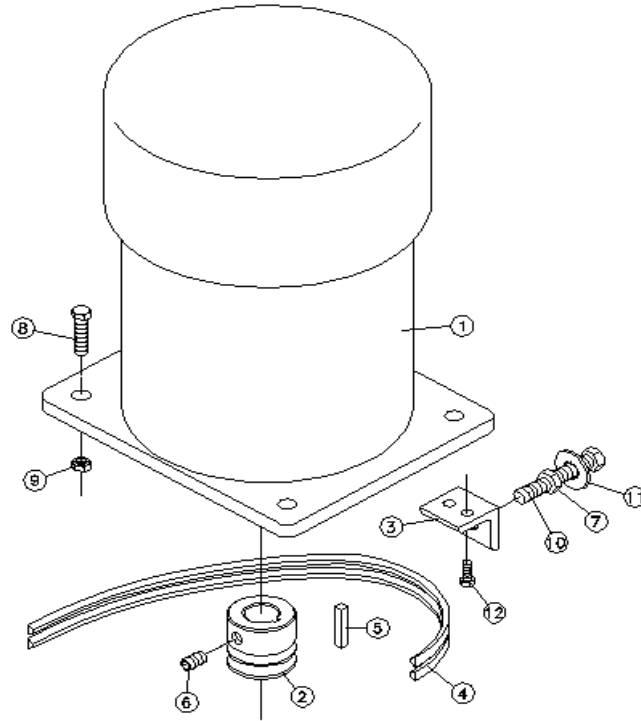


American Eagle Food Machinery, Inc. AE-1220 Parts List

	Description or Name	AE Part No.	Qty
1	Motor	AE-1220/05-01	1
2	Motor Pulley	AE-1220/05-02	1
3	Adjusting Block	AE-1220/05-03	1
4	Belt 7M*950	AE-1220/05-04	3
5	Key 7*7*55	AE-1220/05-05	1
6	Set Screw 5/16*5/16	AE-1220/05-06	1
7	NUT 3/8*16NC	AE-1220/05-07	1
8	Bolt 1/2*1	AE-1220/05-08	1
9	Flat Washer 1/2	AE-1220/05-09	1
10	Bolt 3/8*2	AE-1220/05-10	1
11	Flat Washer 3/8	AE-1220/05-11	1
12	Bolt 1/4*5/8	AE-1220/05-12	2

American Eagle Food Machinery, Inc. AE-1220 Parts List

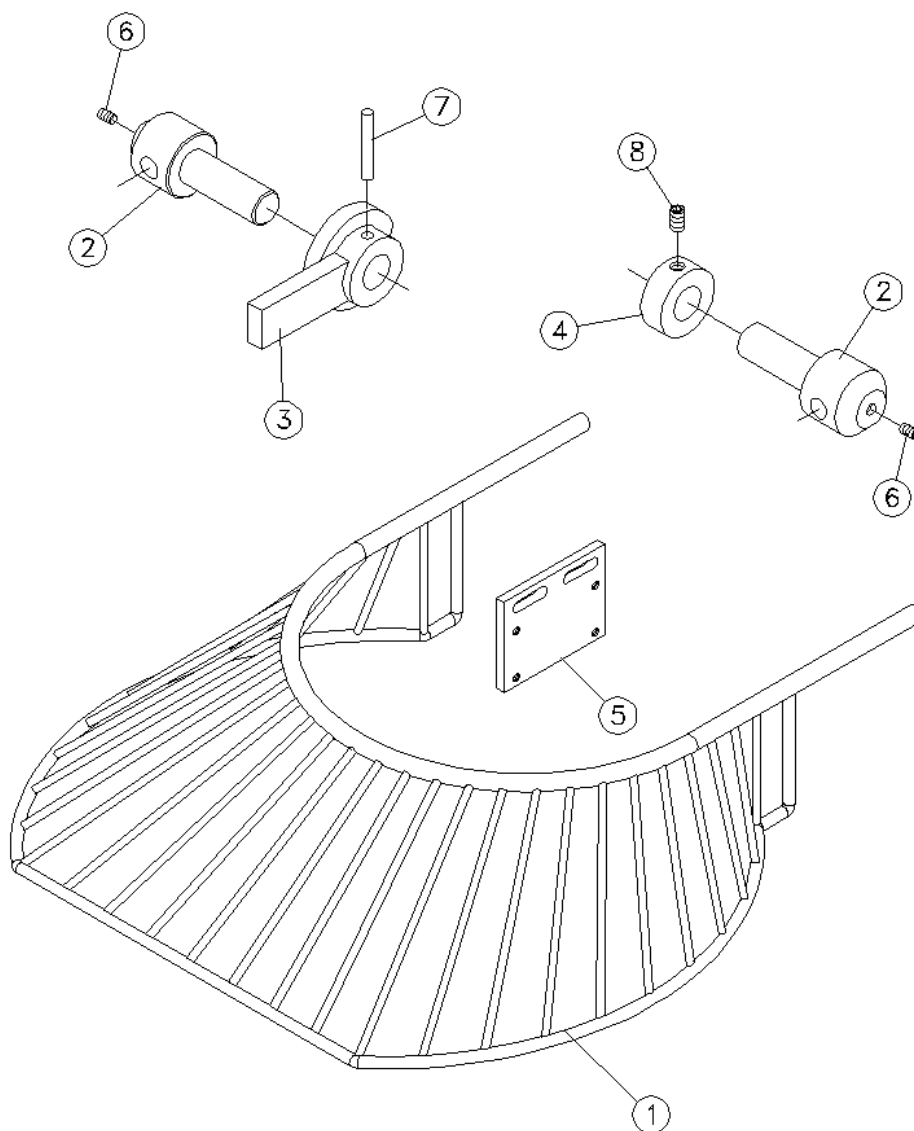
Figure 6. BOWL MOTOR



	Description or Name	AE Part No.	Qty
1	Bowl Motor	AE-1220/06-01	1
2	Motor Pulley	AE-1220/06-02	1
3	Adjusting Block	AE-1220/06-03	1
4	Belt 7M*1000	AE-1220/06-04	2
5	Key 6*6*45	AE-1220/06-05	1
6	Set Screw 5/16*5/16	AE-1220/06-06	1
7	NUT 3/8*16NC	AE-1220/06-07	1
8	Bolt	AE-1220/06-08	1
9	NUT	AE-1220/06-09	1
10	Bolt 3/8*2	AE-1220/06-10	1
11	Flat Washer 3/8	AE-1220/06-11	1
12	Bolt 1/4*5/8	AE-1220/06-12	2

American Eagle Food Machinery, Inc. AE-1220 Parts List

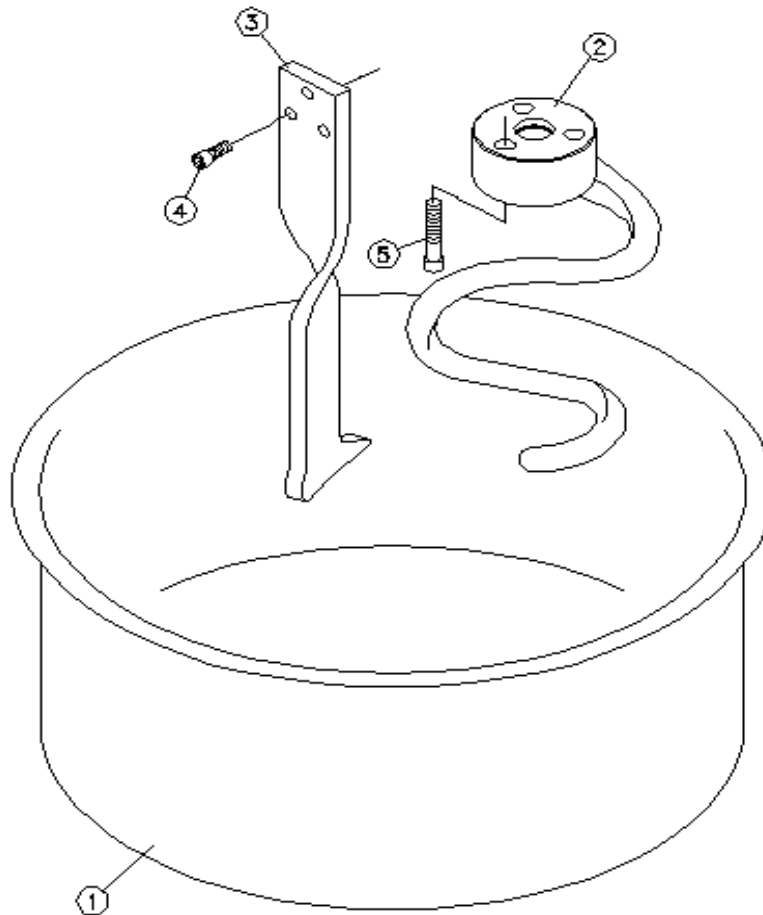
Figure 7. SAFETY GUARD



	Description or Name	AE Part No.	Qty
1	Safety Guard	AE-1220/07-01	1
2	Roller Of Safety Guard	AE-1220/07-02	2
3	Hub & Plug	AE-1220/07-03	1
4	Hub	AE-1220/07-04	1
5	Seat Of Limit Switch	AE-1220/07-05	1
6	Set Screw 5/16*3/8	AE-1220/07-06	2
7	Spring Pin 4*40	AE-1220/07-07	1
8	Set Screw 5/16*3/8	AE-1220/07-08	2

American Eagle Food Machinery, Inc. AE-1220 Parts List

Figure 8. BOWL UNIT



	Description or Name	AE Part No.	Qty
1	Bowl	AE-1220/08-01	1
2	Hook	AE-1220/08-02	1
3	Agitator	AE-1220/08-03	1
4	Cap Screw 5/16*1	AE-1220/08-04	3
5	Cap Screw 1/2*1-1/4	AE-1220/08-05	3