



# STAINLESS STEEL A-7 Drop-In Dipper Well



Item #: \_\_\_\_\_ Qty #: \_\_\_\_\_

Model #: \_\_\_\_\_

Project #: \_\_\_\_\_

**FEATURES:**

Stainless steel outer shell with removable inner shell  
Includes TA-34 cut out  
1-1/2" NPT drain

**MATERIAL:**

18 gauge, 300 stainless steel  
Nickel plated brass tailpiece

Model #	Overall Size	Cut Out	Approx. Weight
A-7	6-7/8" x 5-5/8"	6-1/8" dia.	2 lbs.

**OPTIONAL A-33  
DIPPER WELL FAUCET**

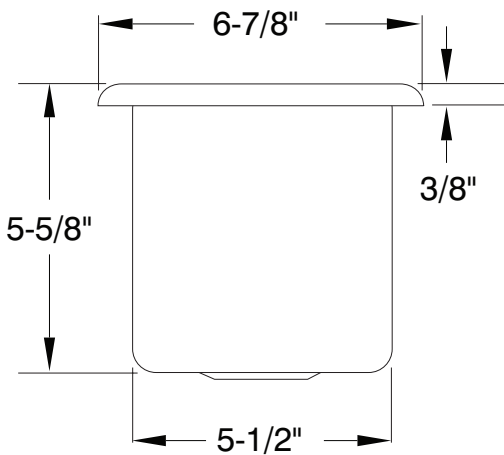


[CLICK HERE](#)  
To Visit The A-33  
Specification Sheet

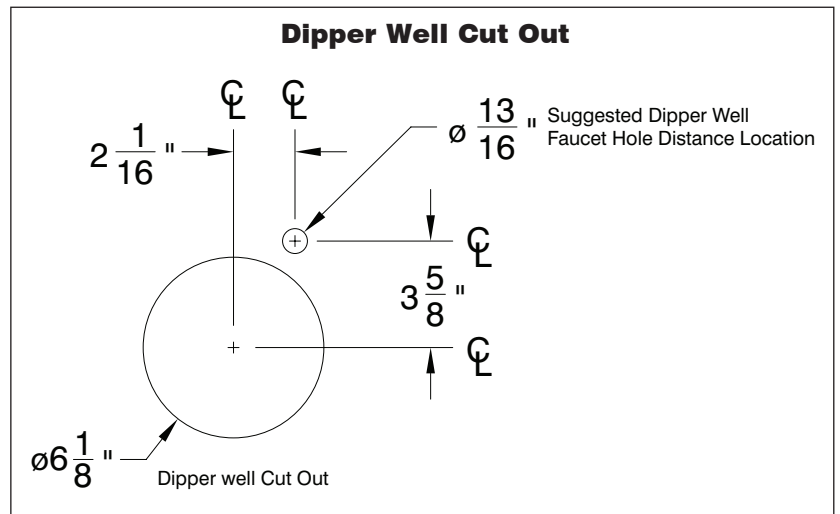
## DIMENSIONS and SPECIFICATIONS

TOL ± .500"

ALL DIMENSIONS ARE TYPICAL



**A-7  
Dipper Well**



**WARNING:** Faucets on this page may expose you to chemicals, including lead, that are known to the State of California to cause cancer or birth defects or other reproductive harm. For more info, visit [www.p65warnings.ca.gov](http://www.p65warnings.ca.gov).



**Customer Service Available To Assist You 1-800-645-3166 8:30 am - 7:00 pm E.S.T.**

For Orders & Customer Service:

Email: [customer@advancetabco.com](mailto:customer@advancetabco.com) or Fax: 631-242-6900

For Smart Fabrication™ Quotes:

Email: [smartfab@advancetabco.com](mailto:smartfab@advancetabco.com) or Fax: 631-586-2933