



PRESTIGE
Signature Series

Cabinet w/ Dump Sink/Waste Chute
25" and 30" Wide Units 

Item #: _____ Qty #: _____
 Model #: _____
 Project #: _____



Open Base

PRWC-19-18 Shown

FEATURES:

- 9" x 9" x 4" hand sink.
- 6" diameter dry waste chute.
- 7" backsplash.
- Stainless steel legs with adjustable plastic bullet feet.
- Optional removable hinged doors.
- PRWC-24 series** has rear deck for extra storage.

MATERIAL:

- 20 gauge, 300 stainless steel
- Legs:** 1 5/8" O.D. 18 gauge, 300 stainless steel with adjustable stainless steel bullet feet

MECHANICAL:

- PRWC-19 Series** includes K-123 splash mounted faucet
- PRWC-24 Series** includes K-124 deck mounted faucet
- 1" IPS drain (bottom of base)
- 3 1/2" basket, 1 1/2" drain in hand sink

OPTIONAL:

- K-316-LU** - Add wrist handles
- SU-27** - Add door locks

Conforms To NSF 61/9 Lead Free Requirements



w/ Hinged Door

PRWC-19-18-DR Shown

w/ Splash Mt. Faucet

w/ Deck Mt. Faucet

25" WIDE Model #	Approx. Weight	Approx. Cu. Ft.	30" WIDE Model #	Approx. Weight	Approx. Cu. Ft.	O.A. Length (A)
PRWC-19-18	55 lbs.	12	PRWC-24-18	62 lbs.	15	18"
PRWC-19-18-DR	60 lbs.	12	PRWC-24-18-DR	65 lbs.	15	18"

 **WARNING:** Equipment that include faucets on this page may contain a chemical known to the State of California to cause cancer, birth defects or other reproductive harm.



Customer Service Available To Assist You 1-800-645-3166 8:30 am - 8:00 pm E.S.T.

For Orders & Customer Service:
 Email: customer@advancetabco.com or Fax: 631-242-6900

For Smart Fabrication™ Quotes:
 Email: smartfab@advancetabco.com or Fax: 631-586-2933

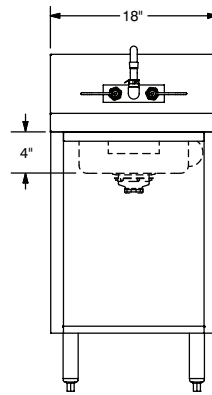
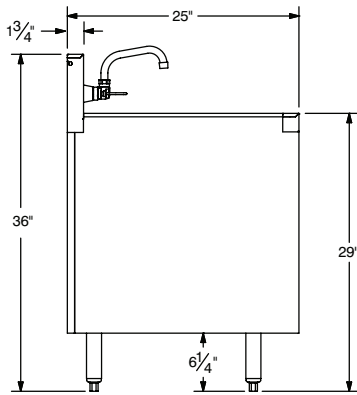
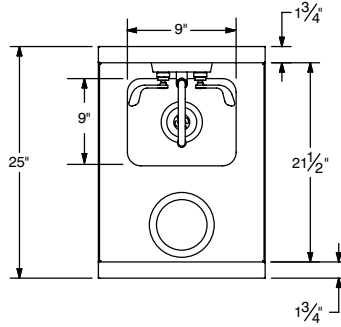
DIMENSIONS and SPECIFICATIONS

TOL Overall: ± .500" Interior: ± .250"

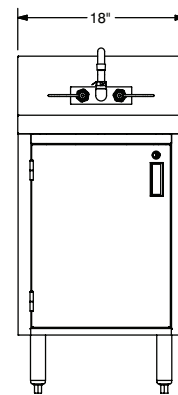
ALL DIMENSIONS ARE TYPICAL

PRWC-19 Series

Shown with optional wrist handles



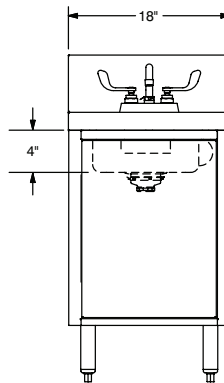
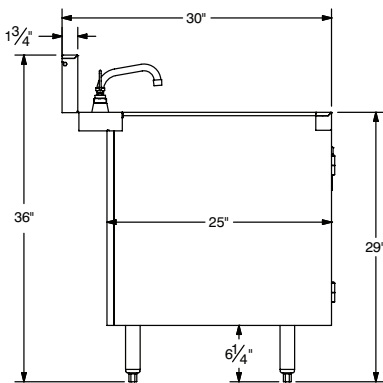
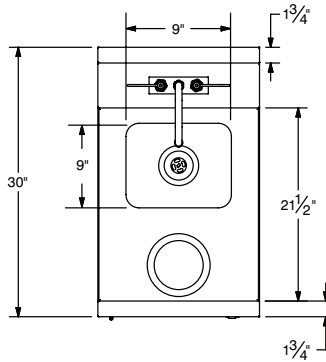
OPEN BASE SERIES



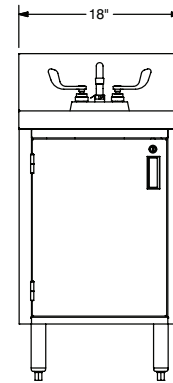
HINGED DOORS SERIES

PRWC-24 Series

Shown with optional wrist handles



OPEN BASE SERIES



HINGED DOORS SERIES



ADVANCE TABCO is constantly engaged in a program of improving our products. Therefore, we reserve the right to change specifications without prior notice.