

Underbar Hand Sink w/ Soap/Towel Dispensers

20" and 25" Wide Units - Deep Drawn Bowls



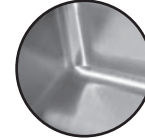
PRHSST-19 Series
*20" Wide Units With
Splash Mount Faucets*



PRHSST-24 Series
*25" Wide Units With
Deck Mount Faucets*

Item #: _____ Qty #: _____
Model #: _____
Project #: _____

Featuring **Deep Drawn**
Seamless Bowl



FEATURES:

- One piece **Deep Drawn** sink bowl.
- Built-in deck mount soap dispenser and c-fold towel dispenser.
- 7" backsplash.
- Stainless steel top, apron, sides, legs & adjustable bullet feet.
- Adjustable stainless steel side cross-bracing
- PRHSST-24 Series** has rear deck for extra storage

MECHANICAL:

- PRHSST-19 Series:** Includes 4" O.C. K-125 splash mount swing spout faucet
- PRHSST-24 Series:** Includes 4" O.C. K-51 deck mount swing spout faucet
- All faucets meet federal lead free standards.**
- 1 1/2" IPS drain

MATERIAL:

- 20 gauge, 300 stainless steel
- Legs:** 1 5/8" O.D. 18 gauge, 300 stainless steel legs with 1" adjustable stainless steel bullet feet

Conforms To NSF 61/9 Lead Free Requirements

20" WIDE					25" WIDE					Drain Location (A)
Model #	Size W x L x H	Bowl Size	Approx. Weight	Approx. Cu. Ft.	Model #	Size W x L x H	Bowl Size	Approx. Weight	Approx. Cu. Ft.	
PRHSST-19-12	20" x 12" x 36"	9"x 9"x 4"	53 lbs.	8	PRHSST-24-12	25" x 12" x 36"	9"x 9"x 4"	58 lbs.	8	6"
PRHSST-19-18	20" x 18" x 36"	10"x 14"x 7"	55 lbs.	9	PRHSST-24-18	25" x 18" x 36"	10"x 14"x 7"	60 lbs.	9	9"

WARNING: Equipment that include faucets on this page may contain a chemical known to the State of California to cause cancer, birth defects or other reproductive harm.

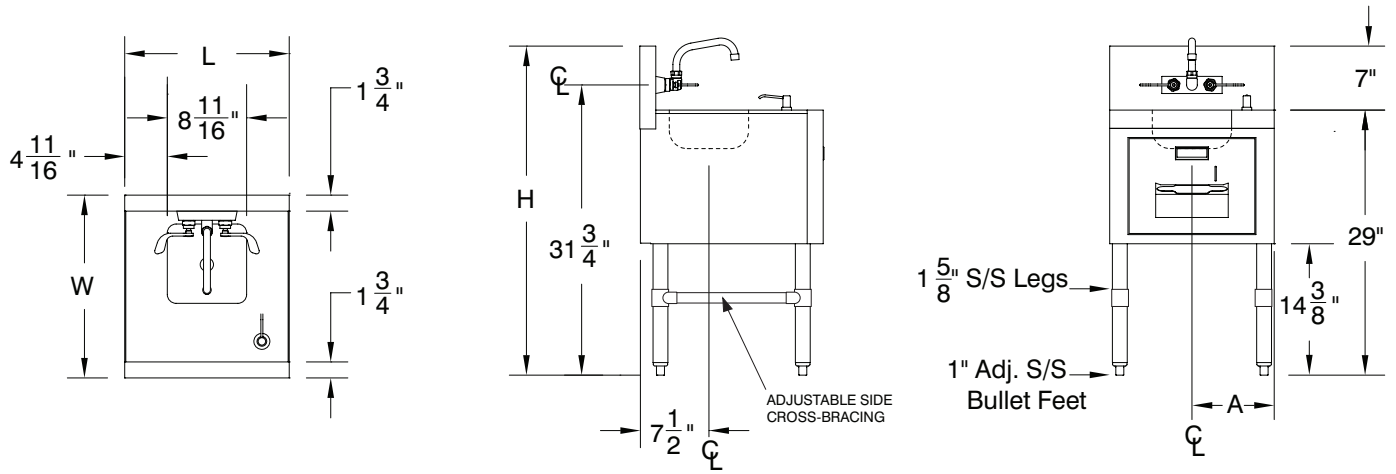
DIMENSIONS and SPECIFICATIONS

TOL Overall: $\pm .500"$ Interior: $\pm .250"$

ALL DIMENSIONS ARE TYPICAL

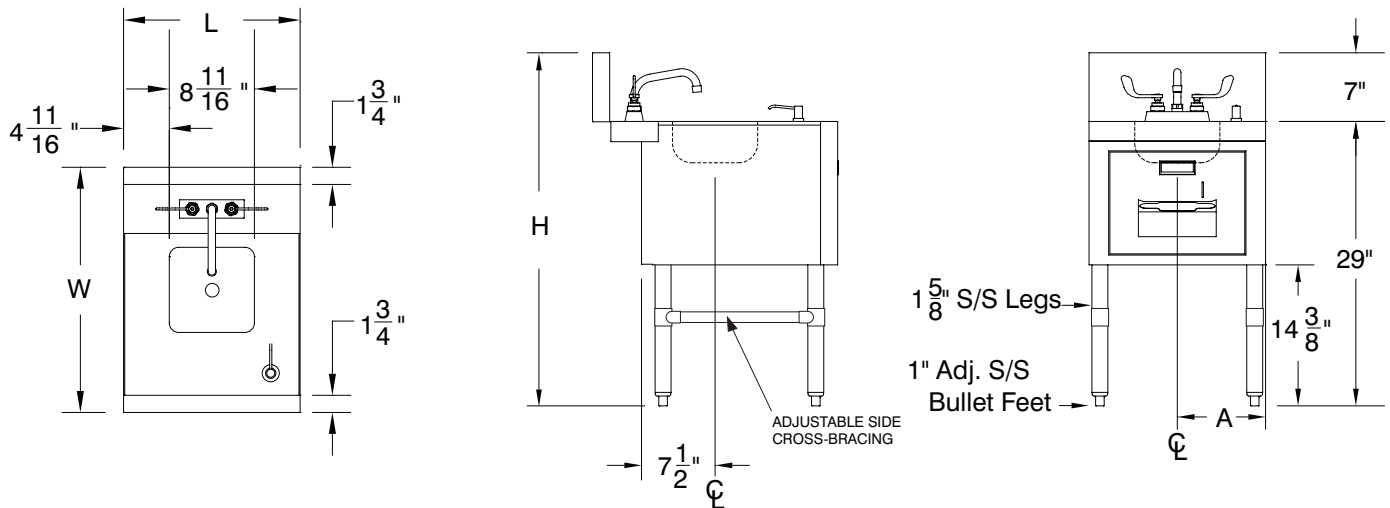
PRHSST-19 Series

Shown with optional wrist handles



PRHSST-24 Series

Shown with optional wrist handles



ADVANCE TABCO is constantly engaged in a program of improving our products. Therefore, we reserve the right to change specifications without prior notice.