



STAINLESS STEEL UTILITY SHELF



8" Wide



K-245 Shown

Model #	Width	Length
K-245	8"	24"
K-246	8"	36"

Item #: _____ Qty #: _____

Model #: _____

Project #: _____

FEATURES:

Furnished with Mop Hangers and Hooks for hanging rags. Both rag hooks and mop hangers are spot welded to shelf.

CONSTRUCTION:

Shelf and brackets are die formed.

MATERIAL:

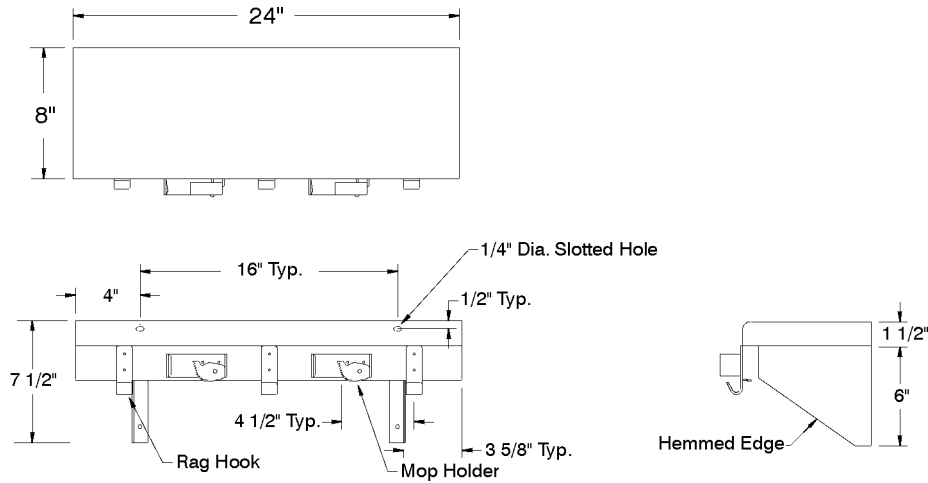
18 gauge stainless steel type "430" polished to a satin finish.

DETAILS and SPECIFICATIONS

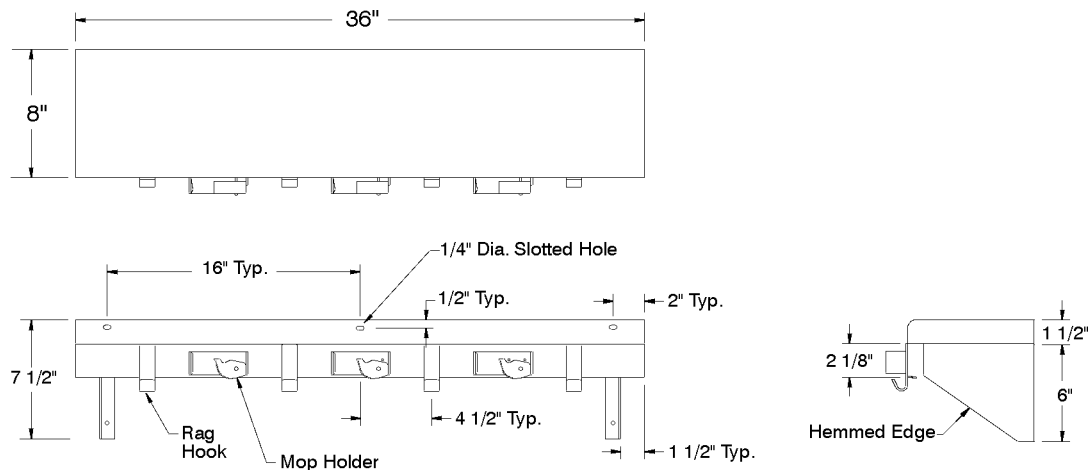
TOL ± .500"

ALL DIMENSIONS ARE TYPICAL

K-245



K-246



Customer Service Available To Assist You **1-800-645-3166** 8:30 am - 8:00 pm E.S.T.

Email Orders To: customer@advancetabco.com. For Smart Fabrication™ Quotes, Email To: smartfab@advancetabco.com or Fax To: 631-586-2933

NEW YORK
Fax: (631) 242-6900

GEORGIA
Fax: (770) 775-5625

TEXAS
Fax: (972) 932-4795

NEVADA
Fax: (775) 972-1578