



# STAINLESS STEEL COUNTERTOP PREP TABLE

Conforms To NSF 61/9 Lead Free Requirements



Item #: \_\_\_\_\_ Qty #: \_\_\_\_\_  
 Model #: \_\_\_\_\_  
 Project #: \_\_\_\_\_

### FEATURES:

Top is furnished with a 2" x 1" square die embossed No-Drip countertop offset edge with 1/2" return on 3 sides and a 10" splash with a 2" return on the rear side.

Aluminum die cast "leg to shelf" clamp secures shelf to leg eliminating unsightly nuts and bolts. Undershelf is adjustable. Stainless steel die-formed drawer front mounted on roller bearing slides.

Stainless steel drawer inset (15" x 20" x 5").

Stainless steel sinks integrally welded to top. (16" x 20" x 8") (16" x 20" x 4")

Shallow sink equipped with a stainless steel perforated drain basket.

| Model #  | Length | Weight   |
|----------|--------|----------|
| DL-30-72 | 72"    | 155 lbs. |
| DL-30-96 | 96"    | 198 lbs. |

### MECHANICAL:

**K-55** Gooseneck faucet with aerator (included).

Supply is 1/2" hot and cold with faucet holes on 4" centers.

Waste drain is stainless steel, 1 1/2" IPS and is basket type (included).

### MATERIAL:

TOP is 14 gauge stainless steel type "304" series.

SHELF is 18 gauge stainless steel type "430" series.

LEGS are 1 5/8" diameter, tubular stainless steel with stainless steel gussets and 1" adjustable stainless steel bullet feet.

OTHER: Poly-Vance sliding cutting board 21" x 18" x 5/8" raised 1/4" above table surface.

### CONSTRUCTION:

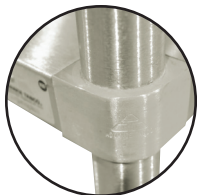
All TIG welded.

TOP and all exposed surfaces are mechanically polished to a satin finish and is sound deadened.

Countertop edge is polished to a MIRROR finish.

Roll formed embossed galvanized hat channels are secured to top by means of structural adhesive and weld studs.

Gussets welded to support hat channels.



Featuring as Standard:  
**"THE PROVEN"**  
 ORIGINAL ADVANCE TABCO  
**Adjustable Undershelf  
 with Die Cast Leg Clamp**



**BOLD-LOOKING  
 Extra Large 10"  
 Backsplash with  
 a 2" return**

**WARNING:** Equipment that include faucets on this page may contain a chemical known to the State of California to cause cancer, birth defects or other reproductive harm.



Customer Service Available To Assist You **1-800-645-3166** 8:30 am - 8:00 pm E.S.T.

For Orders & Customer Service:

Email: customer@advancetabco.com or Fax: 631-242-6900

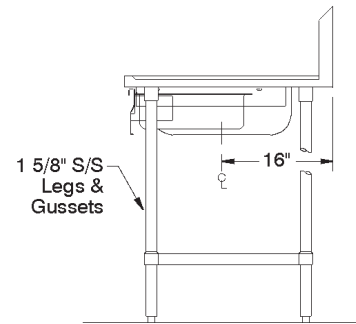
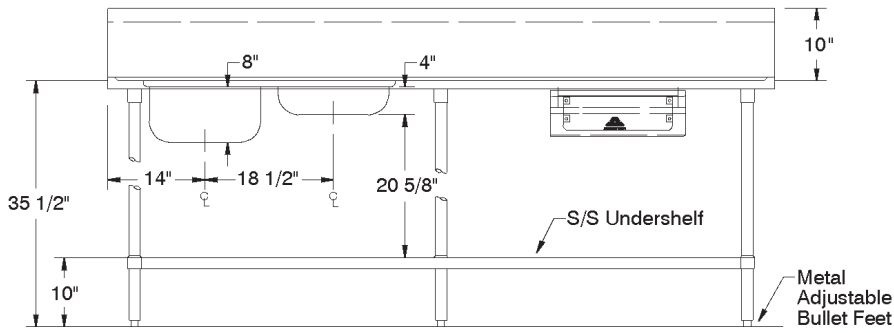
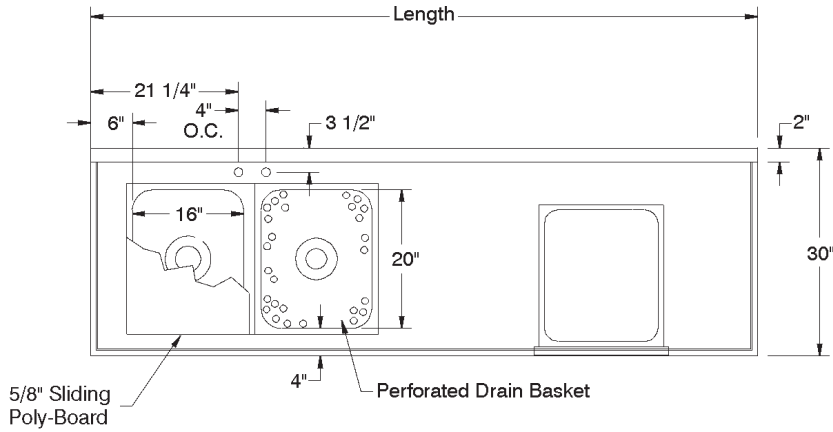
For Smart Fabrication™ Quotes:

Email: smartfab@advancetabco.com or Fax: 631-586-2933

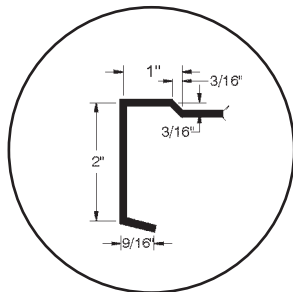
# DETAILS and SPECIFICATIONS

TOL ± .500"

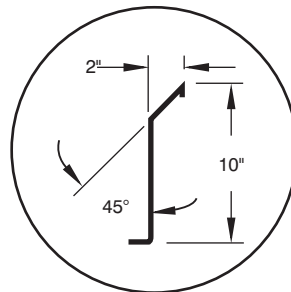
ALL DIMENSIONS ARE TYPICAL



96" Table come with center legs as shown  
(No Center Legs On 72" Tables)



Countertop Edge Detail



Splash Detail

