



# K-69 LOW PROFILE 3-1/2" GOOSENECK SPLASH MOUNT FAUCET

Conforms To NSF 61/9 Lead Free Requirements



Item #: \_\_\_\_\_ Qty #: \_\_\_\_\_  
 Model #: \_\_\_\_\_  
 Project #: \_\_\_\_\_

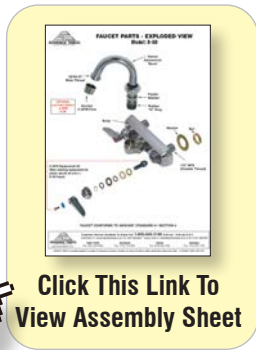
### FEATURES:

- 3 1/2" swivel gooseneck spout.
- 4" O.C. water supply.
- Quarter-turn wedge style handles.
- Colored hot & cold Indexes.
- 2.20 GPM @ 60 PSI vandal resistant aerator.

### MATERIAL:

- Brass chrome plated body & spout.
- Chrome plated handles.

## DIMENSIONS and SPECIFICATIONS



Click This Link To View Assembly Sheet

### Accessories

#### Low Flow Aerator

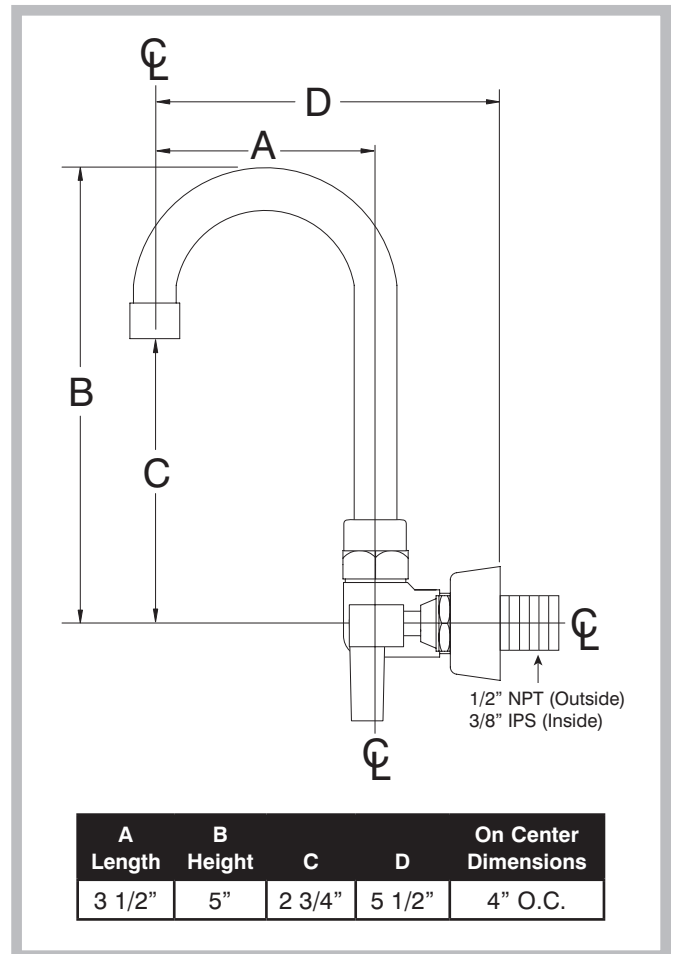
.5 GPM

K-08



### WARNING:

Faucet(s) on this page may expose you to chemicals, including lead, that are known to the State of California to cause cancer or birth defects or other reproductive harm. For more Info., visit [www.p65warnings.ca.gov](http://www.p65warnings.ca.gov).



Customer Service Available To Assist You 1-800-645-3166 8:30 am - 7:00 pm E.S.T.

For Orders & Customer Service:

Email: [customer@advancetabco.com](mailto:customer@advancetabco.com) or Fax: 631-242-6900

For Smart Fabrication™ Quotes:

Email: [smartfab@advancetabco.com](mailto:smartfab@advancetabco.com) or Fax: 631-586-2933