

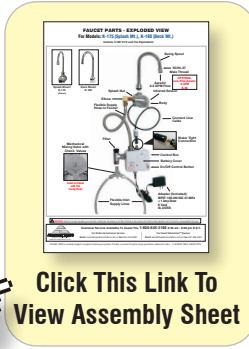


# K-180 ELECTRONIC DECK MOUNT FAUCET

Conforms To NSF 61/9 Lead Free Requirements



Powered by  
AC or Battery!



Click This Link To  
View Assembly Sheet



Mixing Valve

FAUCET AERATOR CONFORM TO  
ASTM.A112.18.1M • 2.2 GPM/8.328 LPM  
THREAD: 55/64 - 27 FEMALE

Item #: \_\_\_\_\_ Qty #: \_\_\_\_\_

Model #: \_\_\_\_\_

Project #: \_\_\_\_\_

### FEATURES:

- 3-1/2" swivel gooseneck spout.
- Hot/cold water mixing valve.
- Infrared sensor activated.
- 4 AA Batteries or AC powered.
- 6' cord. Input: 100-240VAC 47-60Hz <1 Amp Draw. UL LISTED.
- 2.2 GPM/3.8 LPM Aerator. 60 PSI.

### MATERIAL:

- Brass chrome plated body & spout.
- Chrome plated handles.

### Replacements Parts

Replacement  
Control Module



K-09

Infrared Sensor  
and Wire Assembly



K-14

Replacement Spout  
For K-180 Faucet



K-175SP

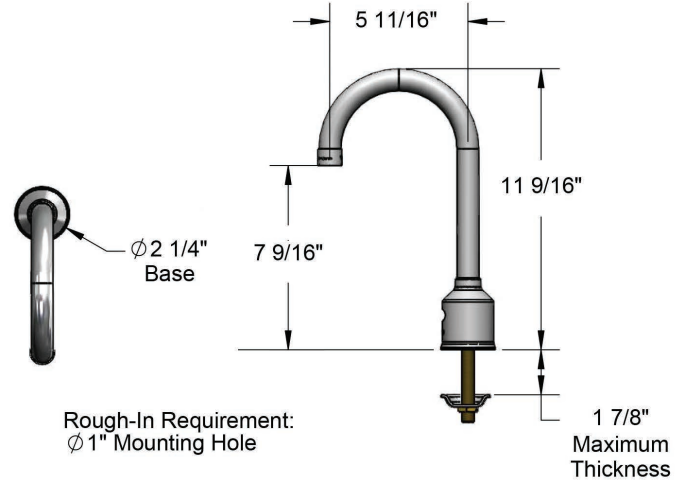
Low Flow Aerator

.5 GPM



K-08

### DIMENSIONS and SPECIFICATIONS



### ⚠ WARNING:

Faucet(s) on this page may expose you to chemicals, including lead, that are known to the State of California to cause cancer or birth defects or other reproductive harm. For more Info., visit [www.p65warnings.ca.gov](http://www.p65warnings.ca.gov).



Customer Service Available To Assist You **1-800-645-3166** 8:30 am - 7:00 pm E.S.T.

For Orders & Customer Service:

Email: [customer@advancetabco.com](mailto:customer@advancetabco.com) or Fax: 631-242-6900

For Smart Fabrication™ Quotes:

Email: [smartfab@advancetabco.com](mailto:smartfab@advancetabco.com) or Fax: 631-586-2933