



K-1 12" SWING SPOUT SPLASH MOUNT FAUCET

Conforms To NSF 61/9 Lead Free Requirements



BACK VIEW
1/2" NPT(INSIDE THREAD)

Item #: _____ Qty #: _____
 Model #: _____
 Project #: _____

FEATURES:

- 12" swing spout.
- 8" O.C. water supply.
- Quarter-turn wedge style handles.
- Colored hot & cold Indexes.
- 1.0 GPM/3.8 LPM Aerator. 60 PSI.

MATERIAL:

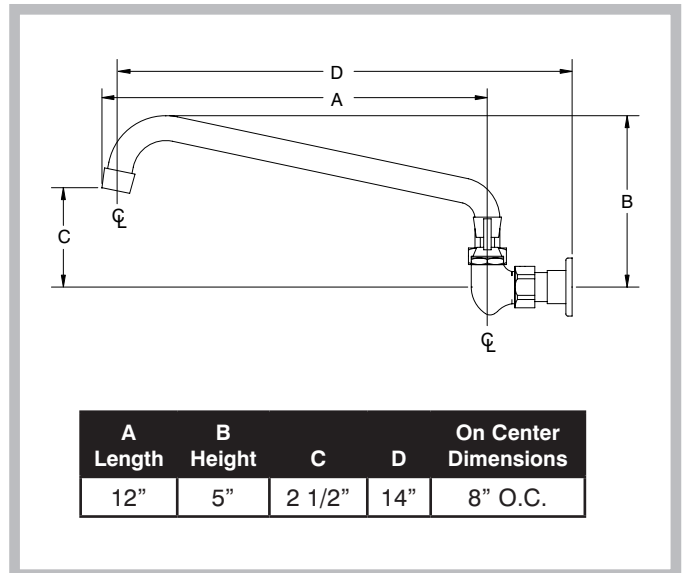
- Brass chrome plated body & spout.
- Chrome plated handles.



Click This Link To
View Assembly Sheet

FAUCET AERATOR CONFORM TO
ASTM.A112.18.1M • 1.0 GPM/3.8 LP
THREAD: 55/64 - 27 FEMALE

DIMENSIONS and SPECIFICATIONS



Options & Accessories

Replacement Spout For K-1 Faucet

12" Swing Spout Only.

K-1SP



Low Flow Aerator

.5 GPM

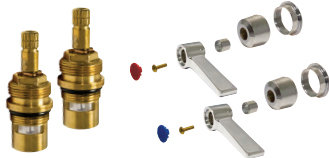
K-08



Faucet Repair Kit*

K-00B (Set of 2)

Includes 2 Cartridges and 2 Handles With Red & Blue Indexes



Splash Mount Faucet Mounting Kit

K-06



Wrist Handles*

K-316-LU (Set of 2)

For a Complete faucet with Wrist Handles, See our **K-316** Spec Sheet.



*Can Only Be Used On Faucets Purchased After January 2016. For Older Faucets, Consult Customer Service.

WARNING:

Faucet(s) on this page may expose you to chemicals, including lead, that are known to the State of California to cause cancer or birth defects or other reproductive harm. For more Info., visit www.p65warnings.ca.gov.



Customer Service Available To Assist You **1-800-645-3166** 8:30 am - 7:00 pm E.S.T.

For Orders & Customer Service:

Email: customer@advancetabco.com or Fax: 631-242-6900

For Smart Fabrication™ Quotes:

Email: smartfab@advancetabco.com or Fax: 631-586-2933