



STAINLESS STEEL ECONOMY HAND SINKS

7-PS-EC, 7-PS-70-EC & 7-PS-71-EC

Conforms To NSF 61/9 Lead Free Requirements

Item #: _____ Qty #: _____

Model #: _____

Project #: _____



7-PS-EC



7-PS-70-EC



7-PS-71-EC

FEATURES:

Deep Drawn sink bowl design.

Sink bowl is 10" x 14" x 5".

Sink bowl has a large liberal radii with a minimum dimension of 2" and are rectangular in design for increased capacity.

Stainless steel 1-1/2" basket drain. 1-1/2" IPS.

7-PS-EC - 4" O.C. economy splash mounted gooseneck faucet, chrome plated & furnished with aerator.

NOTE: This faucet is AB1953 Lead Free Compliant.

7-PS-70-EC - Faucet not included. Two holes punched 4" O.C

7-PS-71-EC - Faucet not included. Single square hole punched.

CONSTRUCTION:

All TIG welded.

Welded areas blended to match adjacent surfaces and to a satin finish.

Die formed Countertop Edge with a No-Drip offset.

MATERIAL:

Heavy gauge type 304 series stainless steel.

Wall mounting bracket is Galvanized and of offset design.

All fittings are brass / chrome plated unless otherwise indicated

MECHANICAL:

Faucet supply is 1/2" IPS male thread hot and cold.

OPTIONAL:

K-59-EC-OMIT - omit faucet on 7-PS-EC sink

WARNING:

Equipment that includes a faucet may expose you to chemicals, including lead, that are known to the State of California to cause cancer or birth defects or other reproductive harm. For more Info., visit www.p65warnings.ca.gov.



Customer Service Available To Assist You **1-800-645-3166** 8:30 am - 8:00 pm E.S.T.

For Orders & Customer Service:

Email: customer@advancetabco.com or Fax: 631-242-6900

For Smart Fabrication™ Quotes:

Email: smartfab@advancetabco.com or Fax: 631-586-2933

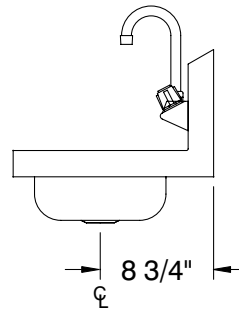
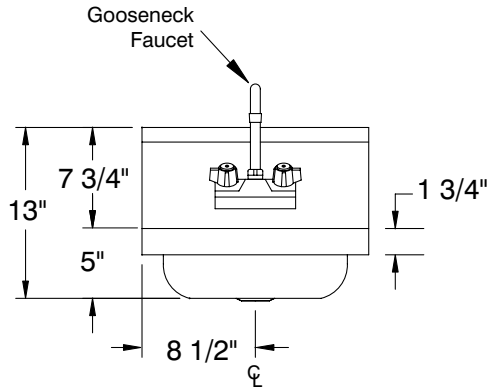
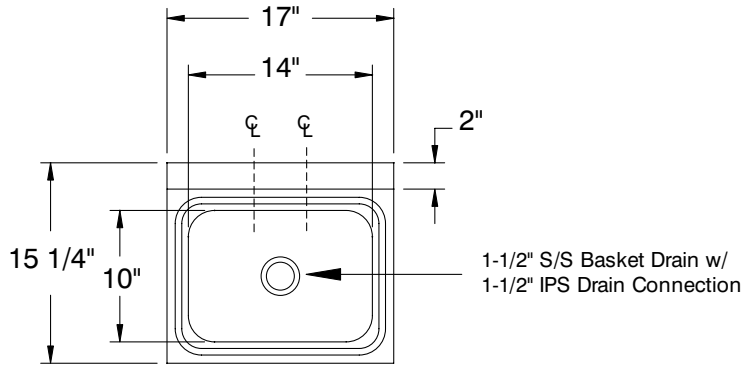
DIMENSIONS and SPECIFICATIONS

TOL ± .500"

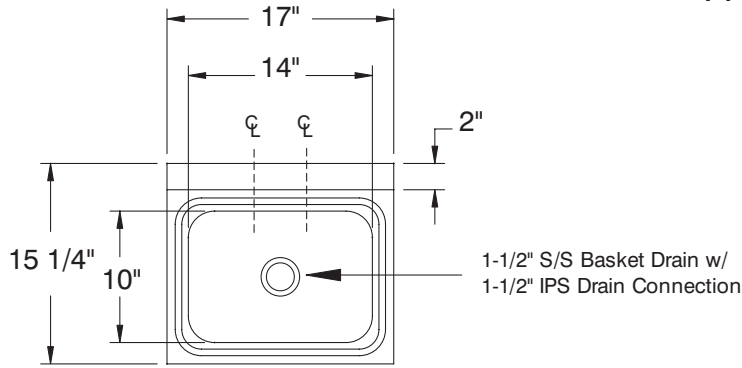
FITTINGS SUPPLIED AS SHOWN

ALL DIMENSIONS ARE TYPICAL

7-PS-EC



7-PS-70-EC



7-PS-71-EC Same As 7-PS-70-EC
with Single Hole Cutout

