



STAINLESS STEEL Beer Drainers 18" and 21" Wide Units



CRBD-2



Item #: _____ Qty #: _____
 Model #: _____
 Project #: _____

18" WIDE Model #	Approx. Weight	Approx. Cu. Ft.	21" WIDE Model #	Approx. Weight	Approx. Cu. Ft.	O.A. Length (A)	Dist. To Center Of Column
SLBD-18	32 lbs.	6	CRBD-18	33 lbs.	8	18"	9"
SLBD-2	38 lbs.	7	CRBD-2	42 lbs.	8	24"	12"

FEATURES:

- 3" x 6" rear column for beer lines.
- Embossed and seamless drainboard with drain.
- 7" backsplash.
- Galvanized legs with adjustable plastic bullet feet.
- Adjustable galvanized side cross-bracing.

OPTIONAL:

- SU-10A - 18" stainless steel legs with cross-bracing
- SU-40 - Prep unit for installation of speed rail
- SU-68 - Omit corrugation on drainboard

MATERIAL:

- Beer Column:** 16 gauge, 300 stainless steel
- Drainboard & Sides:** 20 gauge, 300 stainless steel
- Front Apron & Backsplash:** 22 gauge, 300 stainless steel
- Understructure:** 22 gauge galvaneal front/back; 11 gauge electrogalvaneal leg channel
- Legs:** 1 5/8" O.D. 18 gauge, galvanized steel with adjustable plastic bullet feet

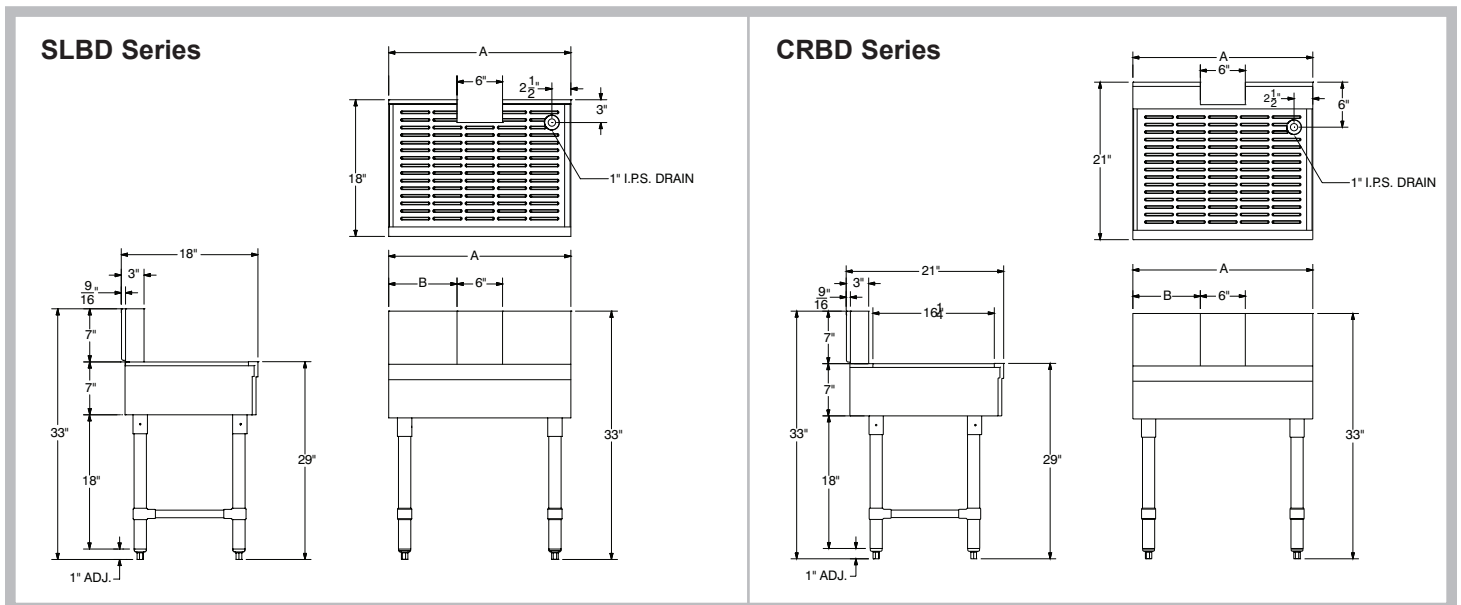
MECHANICAL:

- 1" IPS drain

DETAILS and SPECIFICATIONS

TOL Overall: ± .500" Interior: ± .250"

ALL DIMENSIONS ARE TYPICAL



Customer Service Available To Assist You 1-800-645-3166 8:30 am - 8:00 pm E.S.T.

For Orders & Customer Service:
 Email: customer@advancetabco.com or Fax: 631-242-6900

For Smart Fabrication™ Quotes:
 Email: smartfab@advancetabco.com or Fax: 631-586-2933