



# ALUMINUM OVAL TRAY RACK

Item #: \_\_\_\_\_ Qty #: \_\_\_\_\_  
 Model #: \_\_\_\_\_  
 Project #: \_\_\_\_\_



MODEL #	Pan Capacity	A Shelf Spacing	Overall Size L x W x H	Wt.
OT10-6	10	6"	26" x 28" x 69 1/4"	68 lbs.
OT20-3	20	3"	26" x 28" x 69 1/4"	102 lbs.

### FEATURES:

- Accommodates oval-shaped serving trays.
- Curved top with 4" wide angles.
- 5" heavy duty stem bolted casters.
- OT10-6 has 6" spacing and 10 pan capacity
- OT20-3 has 3" spacing and 20 pan capacity.

### CONSTRUCTION:

Fully welded 1 1/4" square tubing ladder assembly.

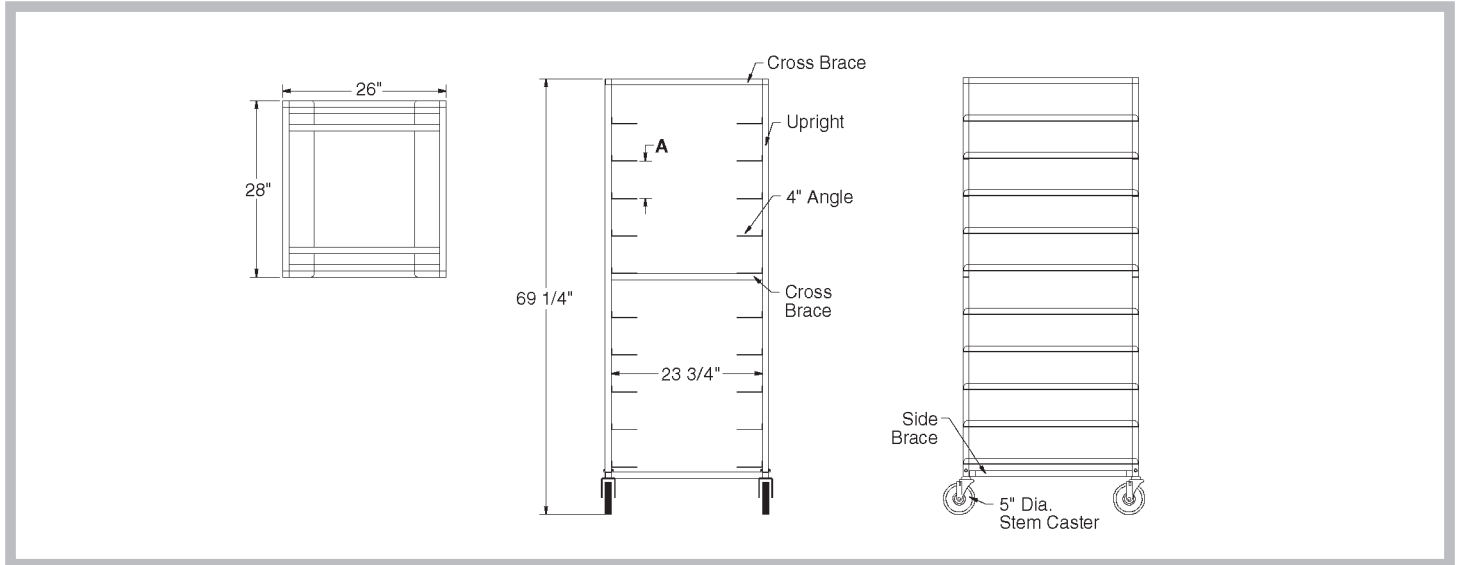
### MATERIAL:

6063-T52 extruded aluminum angles, upright tubing, and support pieces.

## DIMENSIONS and SPECIFICATIONS

TOL ± .500"

ALL DIMENSIONS ARE TYPICAL



Customer Service Available To Assist You **1-800-645-3166** 8:30 am - 8:00 pm E.S.T.

For Orders & Customer Service:  
 Email: [customer@advancetabco.com](mailto:customer@advancetabco.com) or Fax: 631-242-6900

For Smart Fabrication™ Quotes:  
 Email: [smartfab@advancetabco.com](mailto:smartfab@advancetabco.com) or Fax: 631-586-2933