

Blender Station w/ Drainboard 25" and 30" Wide Units



Item #:	_____	Qty #:	_____
Model #:	_____		
Project #:	_____		



PRDB-19 Series
25" Wide Units



PRDB-24 Series
30" Wide Units



15A - 120V GFI Duplex
Receptacle Hidden
Beneath Blender Shelf



FEATURES:

- Removable perforated drainboard top.
- Recessed blender shelf with grommet hole.
- 15A - 120V electrical GFI duplex outlet hidden beneath shelf for blenders.
- Sound deadened.
- Stainless steel top, apron, sides and legs with 1" adjustable stainless steel bullet feet
- Adjustable stainless steel side cross-bracing
- 7" backsplash.

PRDB-24 Series has rear deck for extra storage

MATERIAL:

- Drainboard:** 18 gauge, 300 stainless steel
- Body Sides & Backsplash:** 20 gauge, 300 stainless steel
- Blender Shelf Sides:** 14 gauge, 300 stainless steel
- Legs:** 1 5/8" O.D. 18 gauge, 300 stainless steel with 1" adjustable stainless steel bullet feet

MECHANICAL:

- 1" IPS drain
- 15A - 120V duplex receptacle

OPTIONAL:

- A-15** - Chrome towel ring (packed loose)
- SU-24** - Connect underbar equipment

25" WIDE	Overall Length	Dist. To Drain	Dist. To Drain	Approx.	Approx.
Model #	(L)	(A)	(B)	Weight	Cu. Ft.
PRDB-19-12	12"	9"	4 3/4"	45 lbs.	9
PRDB-19-18	18"	15"	4 3/4"	50 lbs.	9

30" WIDE	Overall Length	Dist. To Drain	Dist. To Drain	Approx.	Approx.
Model #	(L)	(A)	(B)	Weight	Cu. Ft.
PRDB-24-12	12"	9"	9 3/4"	47 lbs.	9
PRDB-24-18	18"	15"	9 3/4"	53 lbs.	12

NOTE: Blender Stations Can Not Accommodate A Speed Rail

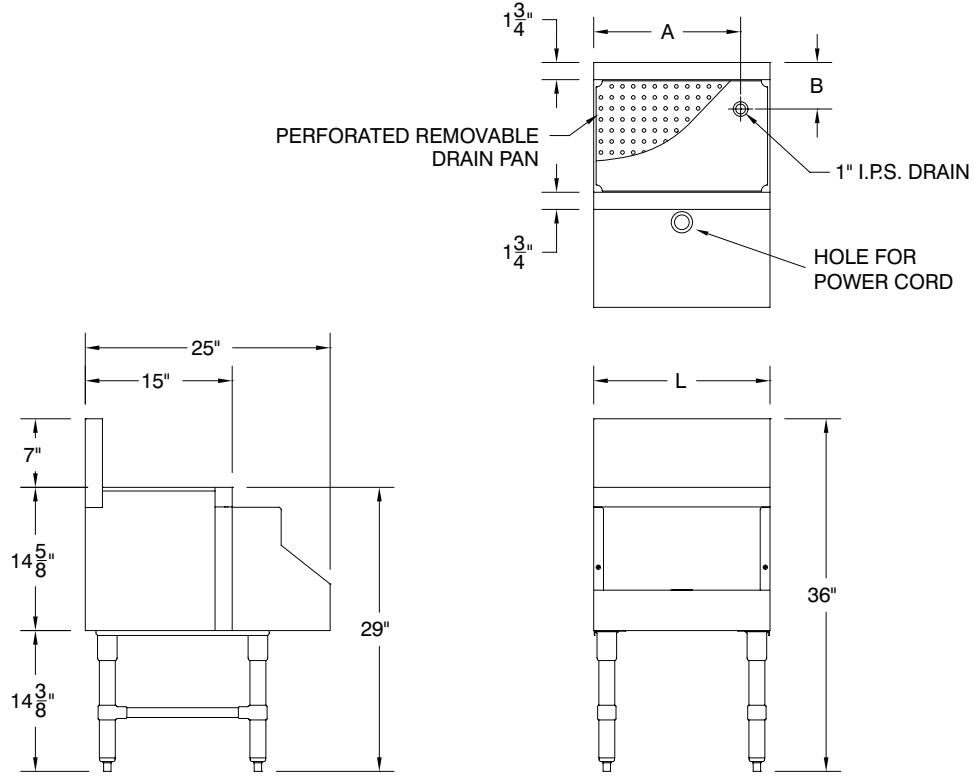
WARNING: Equipment that include faucets on this page may contain a chemical known to the State of California to cause cancer, birth defects or other reproductive harm.

DIMENSIONS and SPECIFICATIONS

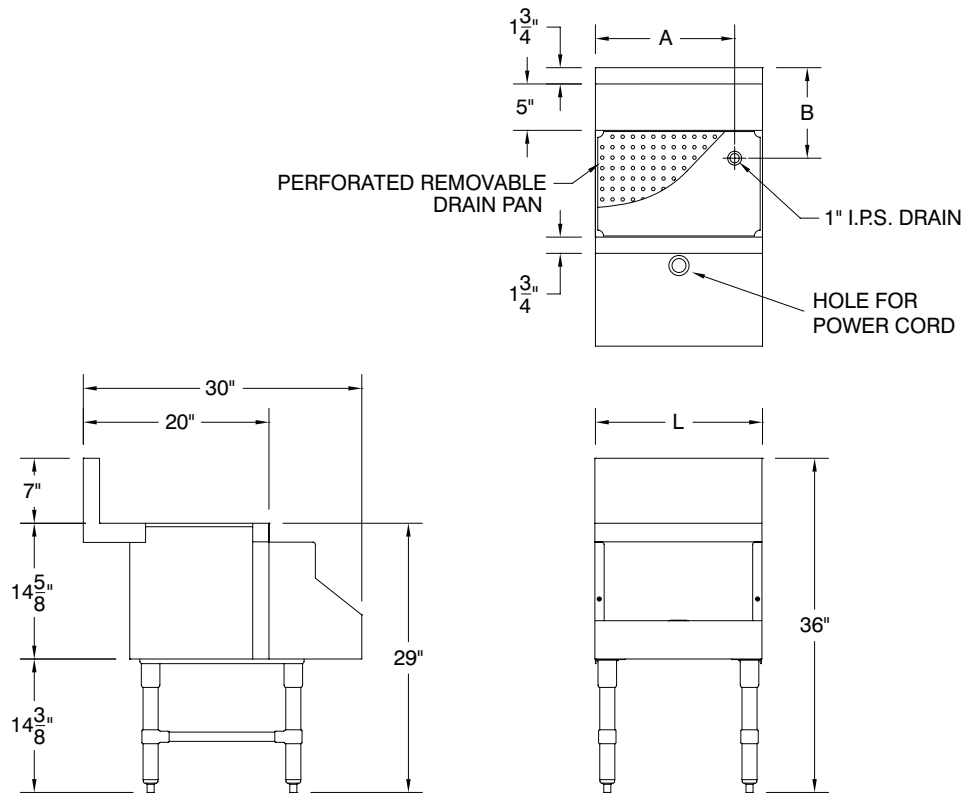
TOL Overall: ± .500" Interior: ± .250"

ALL DIMENSIONS ARE TYPICAL

PRDB-19 Series



PRDB-24 Series



ADVANCE TABCO is constantly engaged in a program of improving our products. Therefore, we reserve the right to change specifications without prior notice.