

# Amana® Commercial

Project #: \_\_\_\_\_

Item #: \_\_\_\_\_



Left to right: RC window door style and RC solid door style (\*S2D)

## Heavy Volume Amana® Commercial RC Series

### Power Output

- 1700-3000 Watts of power
- Unique method of microwave energy distribution provides superior even heating throughout the entire cavity

### Multi-language universal operation, with programming flexibility

- Oven interface and programming software supports 20 languages
- Smart USB connectivity standard
- Compatible with ACP Programming Application
- Stores up to 100 programmable menu items

### Easy to Use

- 11 power levels and 4 cooking stages for cooking flexibility
- Multiple quantity function automatically calculates cooking times for multiple portions
- Automatic Voltage Sensor adjusts to the power supply
- See-through door and lighted interior for monitoring without opening the door (\*S2D Models excluded)
- Ample 1 cubic ft. (28 liter) capacity accommodates two standard 4" (102mm) deep half-sized pans
- Stackable to save valuable counter space (\*3000W models excluded)

### Easy to Maintain

- Stainless steel exterior and interior for easy cleaning and increased durability
- Removable, cleanable air filter protects oven components
- Constructed to withstand the foodservice environment
- Interior borosilicate tray is sealed and recessed to reduce plate-to-shelf edge impact and keep spills contained

### Chef Line | Heavy Volume This category of microwave oven is ideal for...

#### Applications

- Full service restaurants
- Prep stations
- Delis
- Quick service restaurants
- Casual dining
- Schools
- Healthcare
- Grocery Stores
- Food courts

#### Through put potential by oven wattage (items per hour)

Food item	1700W	2200W	3000W
Steamed Shrimp (1lb (454g))	31	36	48
Fresh Green Beans (12oz (340g))	36	42	55
1 Baked Potato (10oz (283g))	24	30	36
Salmon (6oz (170g))	27	31	33
Lobster Tail (4oz (114g))	23	25	31
Quinoa (1cup (150g))	5	5	6
Steamed Rice (8cups (1.2kg))	3	5	6
Berry Cobbler (7oz (200g))	65	80	120

All ACP, Inc. commercial ovens are supported by our Culinary Center. Do not hesitate to contact us for any questions regarding food preparation, menu development and cooking times:  
[testkitchen@acpsolutions.com](mailto:testkitchen@acpsolutions.com)



### Optional Accessories

- Cavity shelf (SE10)
- Stainless cart/equipment stands: (CA24, CA30)
- Non-stick baskets (NB10/S, TB10/S, SB10/S, MB10/S)
- Oven Cleaner and Shield Protectant (CL10\*\*, SH10\*\*)

### Service

All products are backed by the ACP, Inc.  
24/7 ComServ Support Center

### Warranty

Warranty Certificate for this product can be found on the ACP, Inc. website at [www.acpsolutions.com/warranty](http://www.acpsolutions.com/warranty)

### Safety and Sanitation

This ACP, Inc. product meets and exceeds safety and sanitation standards set for commercial microwave ovens by UL, ETL, NSF, CSA, and FDA



AIA File #:

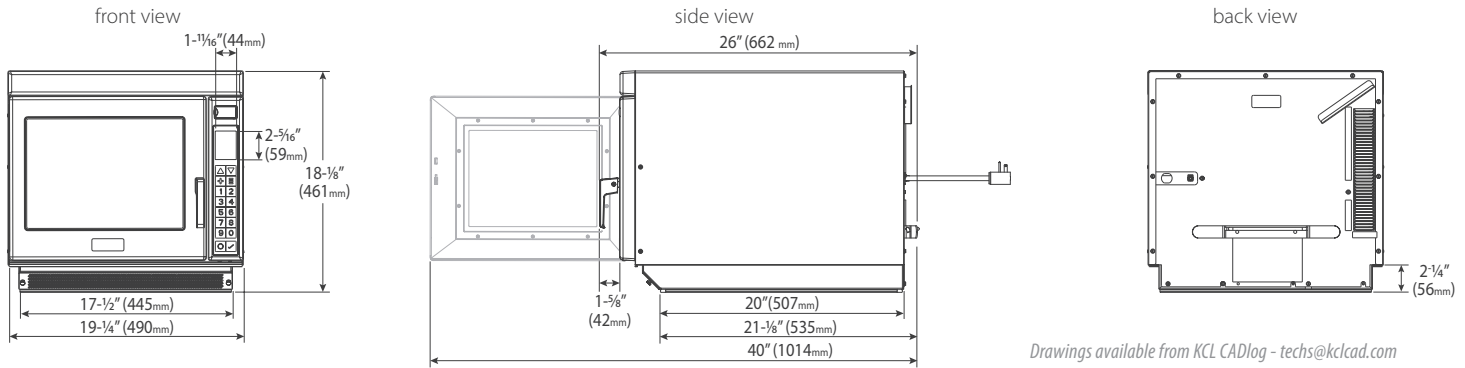
Specification #:

\*\*Only shipped in U.S.A.



© 2020 ACP, Inc.  
Cedar Rapids, Iowa 52404

# Amana® Commercial Microwave RC Series | Heavy Volume



Drawings available from KCL CADlog - techs@kclcad.com

Dimensions			
Exterior	H 18 1/8" (461)	W 19 1/4" (490)	D† 26" (662)
Cavity	H 8 1/2" (216)	W 13" (330)	D 15" (381)
Usable Cavity Space	1.0 cubic ft. (28 liter)		
Door Depth	40" (1014), 90°+ door open		
Installation Clearance	Top: 2" (51)	Sides: 1" (25)	Back: None
Shipping Carton			
2 × Magnetron Models	H 21 1/2" (546)	W 21 3/4" (553)	D 28 1/4" (718)
3 × Magnetron Models	H 21 1/2" (546)	W 21 3/4" (553)	D 30" (762)
Weight			
Model Type	Product Weight	Ship weight (approx.)	
2 × Magnetron	94 lbs. (43 kg.)	101 lbs. (46 Kg.)	
3 × Magnetron	115 lbs. (52 kg.)	123 lbs. (56 Kg.)	

Features	
Configuration	Countertop
Display	2.8" (71mm) Color LCD
USB Port	Yes
Control System	Touchpad
Programmable Control	Yes, 10 pads
Braille	Overlay available
Settings Programmable	100
Max. Cooking Time	60:00
Microwave Distribution	2 × Magnetron Models: 2 rotating antennas–1 top; 1 bottom 3 × Magnetron Models: 3 rotating antennas–2 top; 1 bottom
Power Levels	11
Defrost	Yes, power level 2
Time Entry Option	Yes
Multiple Portion Setting	Yes, X2 by default, optional up to X9
Stage Cooking	4 stages
Interior Light	Window Door Style: Yes, LED Solid Door Style: No
Air Filter	Yes, 1 removable with cleaning reminder
Signal	End of cycle, adjustable
Door Handle	Lift & Pull
Exterior Finish	Stainless steel
Interior Finish	Stainless steel with sealed-in borosilicate tray

Measurements are US Standard. Measurements in ( ) are in millimeters

\* IEC 60705 Tested

† Includes handle

Electrical Configuration											
Region	Model#/UPC	Automatic Voltage Sensor	Door Style	Stackable	Power Consumption	Power Output (microwave)	Power Source	Plug Configuration	Cord Length	Frequency	Magnetron
North America single phase	RC17S2 719881159508	Yes	Window	Yes	2700W, 13.8A	1700W*	208/240V, 60Hz, 20A, single phase	NEMA 6-20P	5 ft. (1.5m)	2450MHz	2
North America single phase	RC17S2D 728028470635	Yes	Solid	Yes	2700W, 13.8A	1700W*	208/240V, 60Hz, 20A, single phase	NEMA 6-20P	5 ft. (1.5m)	2450MHz	2
North America single phase	RC22S2 042159061303	Yes	Window	Yes	3200W, 15.4A	2200W*	208/240V, 60Hz, 20A, single phase	NEMA 6-20P	5 ft. (1.5m)	2450MHz	2
North America single phase	RC22S2D 78028470642	Yes	Solid	Yes	3200W, 15.4A	2200W*	208/240V, 60Hz, 20A, single phase	NEMA 6-20P	5 ft. (1.5m)	2450MHz	2
North America single phase	RC30S2 719881159539	Yes	Window	No	4400W, 21.2A	3000W*	208/240V, 60Hz, 30A, single phase	NEMA 6-30P	5 ft. (1.5m)	2450MHz	3
North America single phase	RC30S2D 728028470659	Yes	Solid	No	4400W, 21.2A	3000W*	208/240V, 60Hz, 30A, single phase	NEMA 6-30P	5 ft. (1.5m)	2450MHz	3

**ACP** INC. 225 49th Ave. Dr. SW, Cedar Rapids, IA 52404 U.S.A.  
800-233-2366 • 319-368-8120 • Fax: 319-368-8198  
www.acpsolutions.com

Part No. 20271601

Updated 2/25/2020

© 2020 ACP, Inc., Cedar Rapids, Iowa 52404

an Ali Group Company



The Spirit of Excellence

Specification #:

AIA File #: