

# Cook & Hold Oven

## Model 750-SK

Smoker Ovens effortlessly infuse bold flavors with real wood chips. No pressure-cooking or artificial smoke flavor required.

Gentle, low and slow Halo Heat® technology evenly surrounds food without the use of extremely hot elements, added humidity or fans. This controlled, uniform heat maintains precise temperatures throughout the hot smoking, cooking and holding process—improving food quality and extending hold times.

Cook by time or probe with simple or deluxe controls. Probes sense internal product temperature and automatically convert the oven from cook mode to hold mode once set parameters have been reached.

Labor-free, overnight smoking, cooking and holding paired with effortless operation reduces labor costs and increases productivity.

Advanced controls – designed intentionally simple – feature an intuitive, user-friendly interface and programmable recipes to ensure consistency with each cook.

ChefLinc™, cloud-based remote oven management software, streamlines processes and maximizes profits with data-driven insights (deluxe control only).

ISO 9001:2015-certified.

### Standard Features

- Casters (two [2] rigid, two [2] swivel with brake)
- Single-point, straight removable probe
- Drip tray and drip pan with drain
- Programmable, touchscreen control on Deluxe model
- Programmable control on Simple model
- HACCP data collection on Deluxe model
- Easy recipe upload/download via USB port
- SureTemp™ heat recovery on Deluxe model
- Two [2] stainless steel side racks with ten [10] pan positions spaced 1-3/8" [35mm] on centers
- Removable exterior drip tray
- Woodchip tray and sample bag of woodchips



CAPACITY

**9** Full-size pans — 20" x 12" x 2-1/2" on wire shelves  
GN 1/1 — 530mm x 325mm x 65mm

**18** Half-size pans — 10" x 12" x 2-1/2" on wire shelves  
GN 1/2 — 265mm x 325mm x 65mm

Weight maximum: 100 lbs. [45 kg]

Volume maximum: 75 quarts [71 liters]

Two [2] shelves and one [1] rib rack included.

Additional shelves required for maximum capacity



On all Cook & Hold heating elements (excludes labor)

ALTO-SHAAM



Shown with Deluxe control



Shown with Simple control

750-SK

### Configurations (select one each)

#### Models

- Simple
  - HACCP option
- Deluxe
  - Ethernet option [5032090]

#### Door Choice

- Right hinged, solid door, standard
- Right hinged, window door
- Left hinged, solid door
- Left hinged, window door

#### Electrical

- 120V, 1Ph
- 208-240V, 1Ph

#### Casters and Legs

- 2-1/2" [64mm] casters, two [2] rigid two [2] swivel with brake, standard [5027134] – not available with bumper
- 2-1/2" [64mm] caster, swivel with brake, option [CS-39969, 4 required] – not available with bumper
- 3-1/2" [89mm] casters, two [2] rigid two [2] swivel with brake, option [5027133]
- 3-1/2" [89mm] caster, swivel with brake, option [CS-39971, 4 required]
- 5" [127mm] casters, two [2] rigid two [2] swivel with brake, option, [5027112]
- 5" [127mm] caster, swivel with brake, option [CS-39973, 4 required]
- 6" [152mm] legs, set of four [4] [5032092]
- 6" [152mm] seismic legs, set of four [4] [5032093]

### Optional Accessories (select all that apply)

#### Bumper and Handles

- Full perimeter bumper
- Push/Pull handle

#### Additional Probes

- Sous vide probe [PR-36576]
- T-handle probe, up to six [6] with Deluxe [PR-46998]
- Straight probe, up to six [6] with Deluxe (qty one [1] included with oven) [PR-46999]

#### Drip Pans, Shelves, Holders

- Drip pan with drain [5027713]
- Drip pan, without drain [1034370]
- Increased capacity exterior drip pan [5030664]
- Shelf, stainless steel [SH-2324]
- Carving holder, prime rib [HL-2635]
- Carving holder, steamship [cafeteria round] [4459]

#### Cleaners

- Alto-Shaam, non-caustic cleaner one [1] 32-ounce bottle [CE-46828]
- Alto-Shaam, non-caustic cleaner six [6] 32-ounce bottles [CE-46829]

#### Accessories, misc.

- Stacking kit, 750-TH over 750-TH [5032041]
- Door lock with key [5028755]

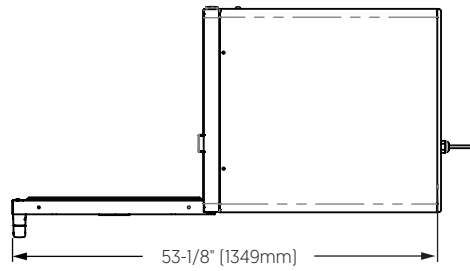
#### Woodchips, 2.0 lb [0.9 kg] bag

- Cherry [WC-22540]
- Maple [WC-22544]
- Apple [WC-22542]
- Hickory [WC-2828]

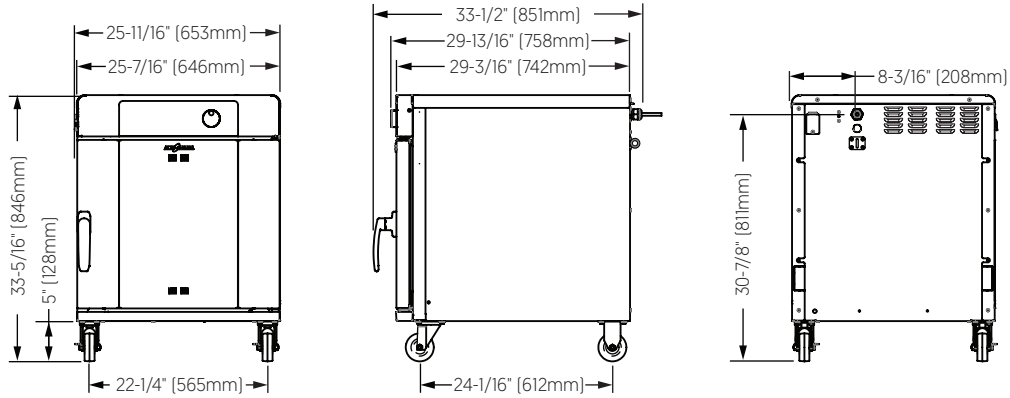
# Cook & Hold Oven

## 750-SK

ALTO-SHAAM

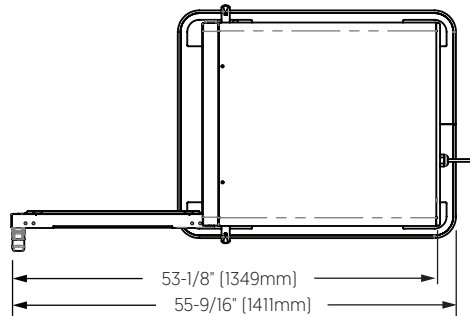


Shown with Simple control and 3-1/2\"/>

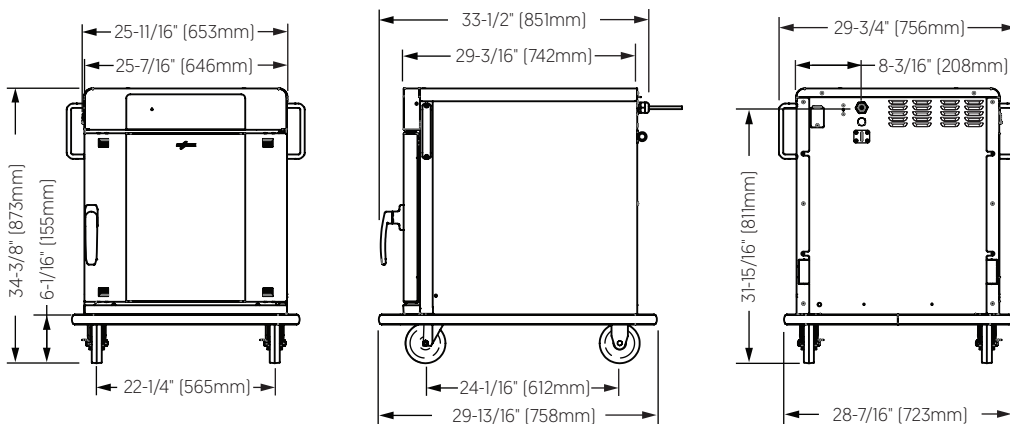


OVERALL HEIGHT: 750-SK

Accessory	in	mm
5\"/>		



Shown with Deluxe control, 5\"/>



Interior (H x W x D)	Net Weight	Ship Dimensions (L x W x H)	Ship Weight
20-1/16\"/>			

# Cook & Hold Oven

## 750-SK



**CLEARANCE**

Top: ..... 2" [51mm]  
 Left: ..... 2" [51mm]  
 Right: ..... 2" [51mm]  
 Back: ..... 3" [76mm]



**CHECK FIRST**

The oven must be installed level.  
 The oven must not be installed in any area where it may be affected by steam, grease, dripping water, high temperatures, or any other severely adverse conditions.

See local installation codes for smoker ventilation requirements.



**HEAT**

### Heat of rejection

750-SK	Heat Gain qs, BTU/hr	Heat Gain qs, kW
	912	0.27



**TEMPERATURE**

**Cooking temperature range:**  
 200°F–325°F [94°C–163°C]  
**Holding temperature range:**  
 85°F–205°F [29°C–96°C]



**ELECTRIC**

### 750 Smoker

750-SK	V	Ph	Hz	Awg	IEC	A	Breaker (A)	kW	Plug Configuration	Certification
120V**	120	1	60	10	—	17	20	2.0	Alto-Shaam offers a number of readily available cord and plug configurations. Contact factory for options.	
208–240V**	208	1	60	10	—	17	20 UL   30 CSA	3.5		
	240	1	60	10	—	19	20 UL   30 CSA	4.5		
230V	230	1	50/60	10	—	18	32	4.2		
	230	1	50/60	10	—	13	20	2.9*		

Electrical connections must meet all applicable federal, state, and local codes.

\*Reduced wattage configuration.

\*\*Dedicated circuit required.

## CONTACT US

W164 N9221 Water Street | Menomonee Falls, Wisconsin 53051 | U.S.A.  
 Phone: 262.251.3800 | 800.558.8744 U.S.A./Canada | Fax: 262.251.7067 | [alto-shaam.com](http://alto-shaam.com)