

Merchandising Cart

Stainless Steel/Laminate

Model 688



Model 688
(Shown in optional
White Driftwood
laminate finish.
Baskets shown not
included.)

Organize Merchandise And Increase Customer Traffic

Features

- Stainless steel construction with light-weight laminated MDO end panels
- Side panels feature optional inserts for marketing chalkboard signage and/or peg boards for hanging items
- Stainless steel rails hold full size pans or tubs (not included)
- Bin panels accommodate signage, advertising, pricing, etc
- Wide choice of laminate finishes

Benefits

- Prominently displays small items with easy access for customers
- Easily positioned in high-traffic areas
- Increased impulse sales

Specifications

Unit shall be of stainless steel and MDO construction to accommodate full size pans or tubs. Pans/ tubs (not included) are held at a 15° pitch by three sets of 16-gauge stainless steel panels. Front stainless steel panels shall include clear plastic label holders. Side panels shall be of 3/4" MDO with a choice of laminate finish. Casters shall be 5" all-swivel, two with brake, and shall be mounted to integrated 16-gauge stainless steel base runners.

Spec. # _____

AIA # _____

Lakeside Manufacturing, Inc.

4900 West Electric Avenue • West Milwaukee, WI 53219 U.S.A.

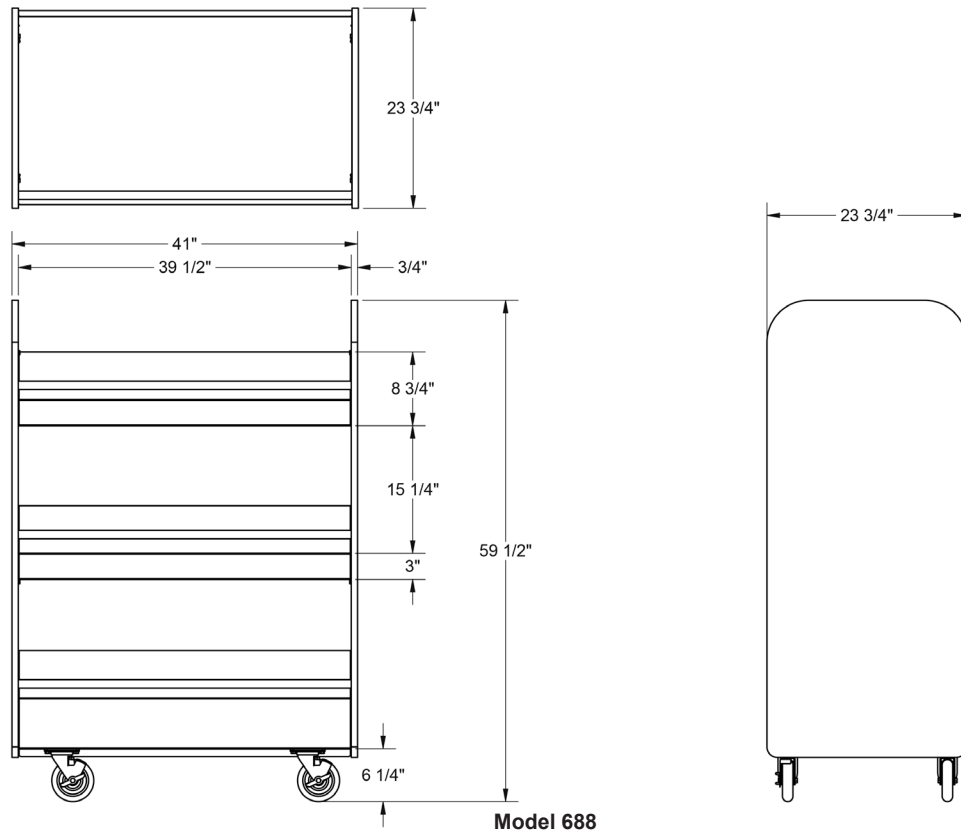
800-558-8565 • 414-902-6400 • Fax 414-902-6446 • info@eLakeside.com • www.eLakesideFoodservice.com

Model
688

Merchandising Cart

Stainless Steel/Laminate

Spec. #



Model 688

Model Information:

Model	Overall Size			Bin/Pan Capacity	Levels	Ship Wt. Lbs. (Kg)
	W	D	H*			
688	41" (1041)	23 3/4" 603	59 1/2" 1511)	9 Ea.	3	205 (93.0)

Dimensions in () denote metric millimeters, unless otherwise noted.

WARNING



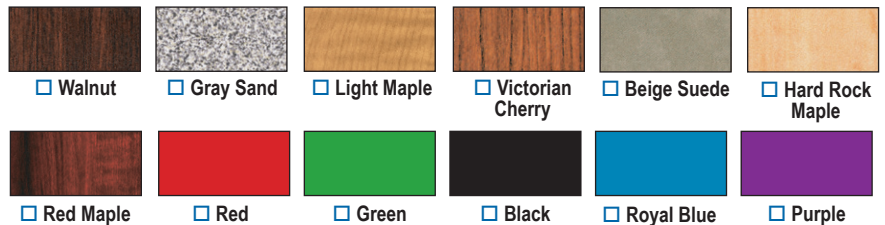
This product can expose you to wood dust and chemicals including chromium, which are known to the State of California to cause cancer. For more information go to: www.P65Warnings.ca.gov

AIA #

Optional Accessories

- Chalk sign board panel (1 or 2)
- Peg board panel (1 or 2)
- Premium custom laminate
- Hardwood panels _____ (specify finish)
- 6" pneumatic casters

Standard Laminate Finishes



Custom Finishes Available



Lakeside Manufacturing, Inc.
4900 West Electric Avenue • West Milwaukee, WI 53219 U.S.A.
800-558-8565 • 414-902-6400 • Fax 414-902-6446
info@eLakeside.com • www.eLakesideFoodservice.com