



**John
BOOS**
Since 1887

ITEM #: _____ QTY: _____
 MODEL #: _____
 PROJECT NAME: _____

062420

3601 S. Banker St. Effingham, IL 62401 • P.O. BOX 609 • Ph: (888) 431-2667 • Fax: (800) 433-2667

"4CS4R5" MODULAR BASE WORK TABLES - 14GA TOP **SLIDING DOOR STYLE - 5" BACKSPLASH**



FEATURES:

- ENCLOSED BASE WORK TABLES - **SLIDING DOOR STYLE**
- **5" BACKSPLASH TOP** WITH 1-1/2" STALLION EDGE ON FRONT WITH 90 DEGREE BEND DOWN SIDE EDGE FOR TABLE LINE-UP
- TOP IS SOUND DEADENED REINFORCED WITH 2"X3" CHANNEL RUNNING ENTIRE LENGTH OF TOP
- STAINLESS STEEL LEG WITH ADJUSTABLE FEET
- FIXED OR ADJUSTABLE INTERMEDIATE SHELF AVAILABLE
- 36" WORKING HEIGHT
- SHIPPED STANDARD WELDED SET-UP



CONSTRUCTION:

- TOP: STAINLESS STEEL CABINET TOPS TIG WELDED, EXPOSED WELDS ARE POLISHED TO MATCH ADJACENT SURFACE #4 POLISHED, SATIN FINISH
- REMOVABLE STAINLESS STEEL LEGS
- SLIDING DOORS ARE CONSTRUCTED AS DOUBLE PANEL DOORS



STALLION EDGE

INTERMEDIATE SHELF IS AVAILABLE IN FIXED OR ADJUSTABLE

- FIXED MID SHELF ADD: "-1S"
- ADJ MID SHELF ADD: "-1AS"

MATERIAL:

- TOP: 14GA TYPE 300 STAINLESS STEEL WITH #4 POLISH, SATIN FINISH
- BODY: 18GA TYPE 430 STAINLESS STEEL
- LEGS: STAINLESS STEEL WITH ADJUSTABLE FEET

24" WIDE

MODEL	QTY
4CS4R5-2448	
4CS4R5-2460	
4CS4R5-2472	
4CS4R5-2484	
4CS4R5-2496	
4CS4R5-24108	
4CS4R5-24120	
4CS4R5-24132	
4CS4R5-24144	

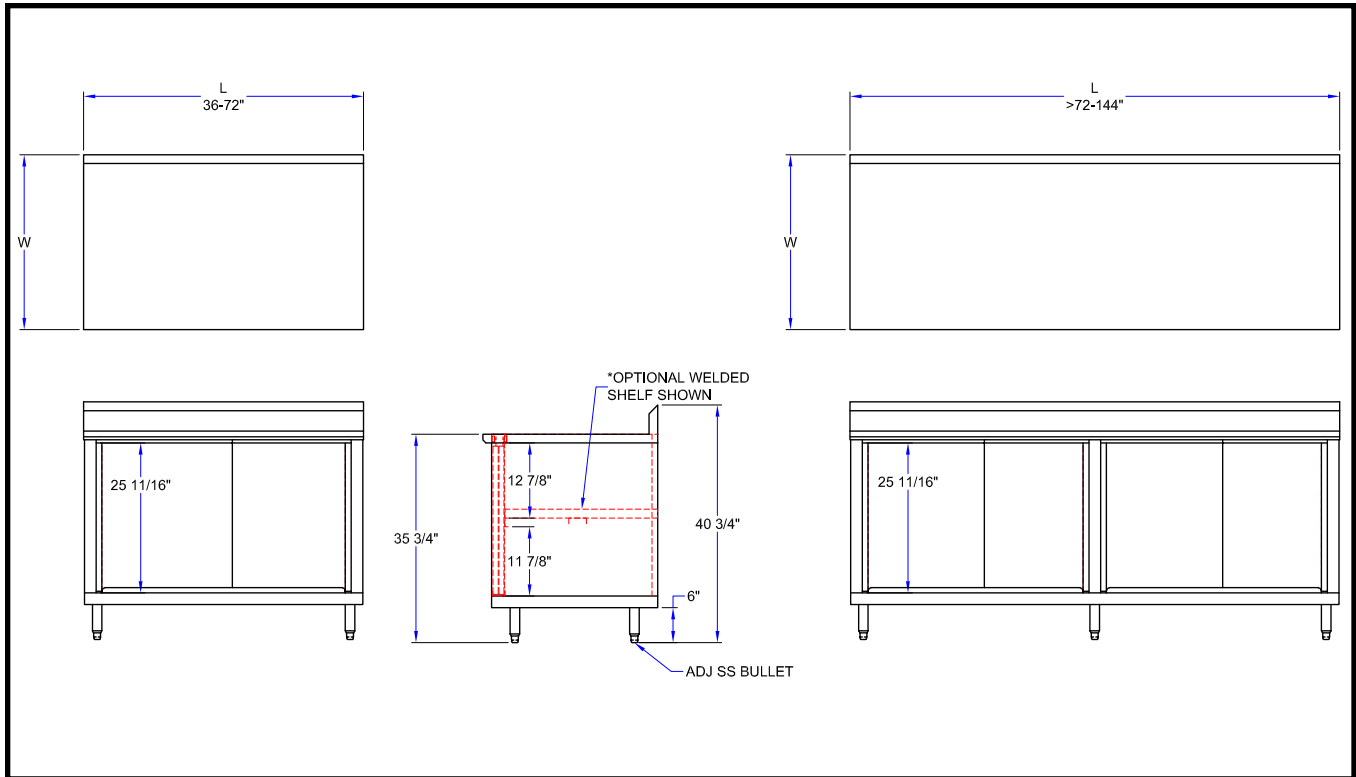
30" WIDE

MODEL	QTY
4CS4R5-3048	
4CS4R5-3060	
4CS4R5-3072	
4CS4R5-3084	
4CS4R5-3096	
4CS4R5-30108	
4CS4R5-30120	
4CS4R5-30132	
4CS4R5-30144	

36" WIDE

MODEL	QTY
4CS4R5-3648	
4CS4R5-3660	
4CS4R5-3672	
4CS4R5-3684	
4CS4R5-3696	
4CS4R5-36108	
4CS4R5-36120	
4CS4R5-36132	
4CS4R5-36144	

DETAILED SPECIFICATIONS



24" WIDE

LENGTH	MODEL	WT. (LBS)
48"	4CS4R5-2448	280
60"	4CS4R5-2460	320
72"	4CS4R5-2472	365
84"	4CS4R5-2484	405
96"	4CS4R5-2496	455
108"	4CS4R5-24108	495
120"	4CS4R5-24120	530
132"	4CS4R5-24132	565
144"	4CS4R5-24144	600

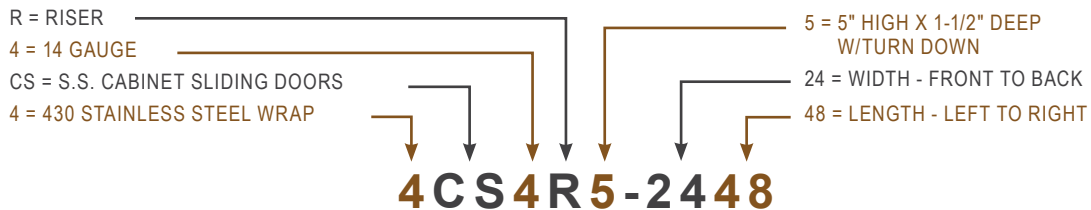
30" WIDE

LENGTH	MODEL	WT. (LBS)
48"	4CS4R5-3048	305
60"	4CS4R5-3060	345
72"	4CS4R5-3072	385
84"	4CS4R5-3084	425
96"	4CS4R5-3096	470
108"	4CS4R5-30108	510
120"	4CS4R5-30120	560
132"	4CS4R5-30132	603
144"	4CS4R5-30144	645

36" WIDE

LENGTH	MODEL	WT. (LBS)
48"	4CS4R5-3648	340
60"	4CS4R5-3660	380
72"	4CS4R5-3672	425
84"	4CS4R5-3684	465
96"	4CS4R5-3696	510
108"	4CS4R5-36108	550
120"	4CS4R5-36120	590
132"	4CS4R5-36132	633
144"	4CS4R5-36144	675

MODEL # STRUCTURE



SOME UNITS SHIP UNASSEMBLED FOR REDUCED SHIPPING COST. ALL DIMENSIONS ARE TYPICAL. TOLERANCE +/- .500"

John Boos & Co. is constantly engaged in a program of improving products and therefore reserves the right to change specifications without prior notice.



3601 S. Banker St. • Effingham, IL 62401 • PO BOX 609 • quotes@johnboos.com

010819



www.johnboos.com

528