

Deep Well Utility Cart Medium Duty

Model 2523P

Rugged Design For Transport Applications

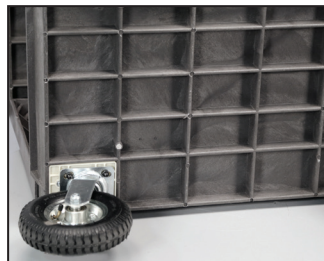
- 25% more weight capacity than standard duty models
- 3" shelf walls hold transport items securely
- Reinforced structural foam plastic shelves and legs for extra durability
- Integrated push handle
- One-piece leg and caster mount design for added caster strength
- Assembles easily in minutes
- Rugged 8" plate-mount swivel and fixed casters with pneumatic tires



Model 2523P



Integrated Push Handle



Reinforced Shelves



8" Pneumatic Casters

Spec. #

A/A #

Lakeside Manufacturing, Inc.

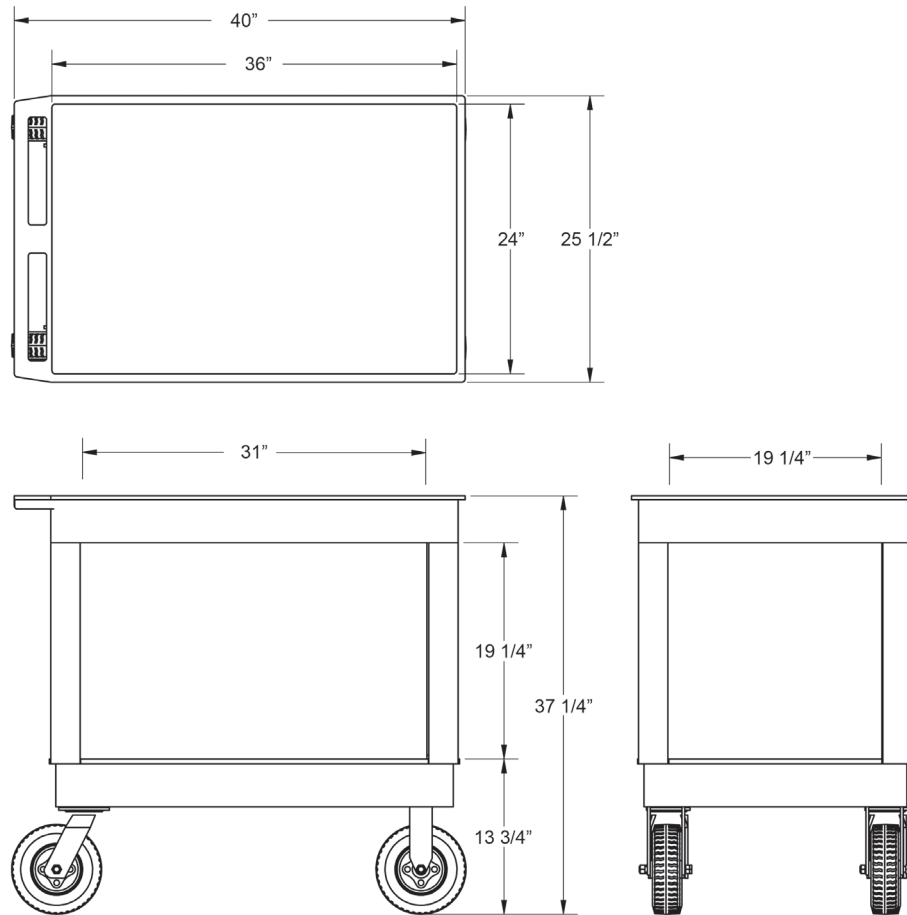
4900 West Electric Avenue • West Milwaukee, WI 53219 U.S.A.

800-558-8565 • 414-902-6400 • Fax 414-902-6446 • info@eLakeside.com • www.eLakesideFoodservice.com

Model
2523P

Deep Well Utility Cart

Medium Duty



Specifications

Unit shall have two each shelves of reinforced structural foam plastic with a total load capacity of 500 lb. Shelves shall have 3" high edges on all sides. Top shelf shall include integrated push handle. One-piece corner legs shall be of 2" x 2" structural foam plastic with reinforcing gussets. Leg bases shall feature integrated caster mount design for increased caster strength. Casters shall be plate-mount type, 2 each fixed and 2 each swivel, and shall fasten directly to corner leg assembly. Caster wheels shall be 8" diameter with pneumatic treaded tires. Unit shall be shipped unassembled.

Model Information

Model	# of Shelves	Shelf Size Shelf Size	Shelf Clearance	Overall Size			Caster Type	Caster Dia.	Case Weight Lbs. (Kg)
				W	L	H			
2523P	2	24" x 36" (610 x 914)	19 1/4" (502)	25 1/2" (648)	40" 1022	32 3/4" 832)	2-swivel 2-fixed	8" (203)	48 (21.8)



Lakeside Manufacturing, Inc.
4900 West Electric Avenue • West Milwaukee, WI 53219 U.S.A.
800-558-8565 • 414-902-6400 • Fax 414-902-6446
Info@elakeside.com • www.eLakesideindustrial.com