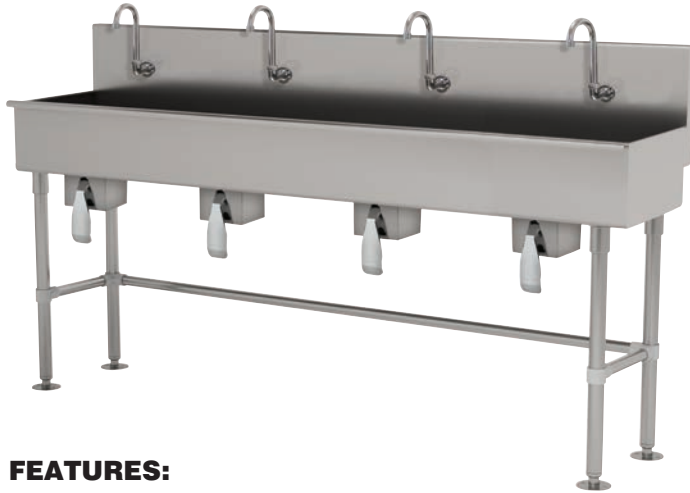




16 GAUGE STAINLESS STEEL
**FOUR STATION FLOOR MOUNTED SQUARE CORNER SINK
 WITH TUBULAR LEGS & CROSS BRACING**
KNEE OPERATED



Knee Valves
Included On All
"KV" Models

Item #: _____ Qty #: _____
 Model #: _____
 Project #: _____



FEATURES:

- 8 1/2" high backsplash.
- 8" sink bowl depth.
- Two stainless steel "Z" brackets.
- One **K-6** 3 1/2" rear basket drain.
- Tubular stainless steel legs with flanged feet.
- Side & rear adjustable cross-bracing with leg clamps.
- Knee Operated:** Includes four **7-PS-32** knee valves and four **K-121** spouts.

CONSTRUCTION:

- All TIG welded.
- Welded areas blended to match adjacent surfaces and to a satin finish.

MATERIAL:

- All 16 Gauge type "304" stainless steel.
- 1 5/8" tubular "304" stainless steel legs & cross-bracing.
- Stainless steel gussets.

MECHANICAL:

- Single faucet hole punched at each station.

Model #	Length	# of Faucets	# of Knee Pedals	Wt.	Cu. Ft.
19-FM-80KV	80"	4	4	152 lbs.	28

[Click Here For Install Guide](#)



MULTI-STATION ACCESSORIES & REPLACEMENT PARTS

Model	Description	QTY:
7-PS-32	Knee Valve Assembly	_____
K-6	3 1/2" Drain (1 1/2" I.P.S.)	_____
K-06	Splash Mount Faucet Mounting Kit	_____
K-13	Stainless Steel Soap Dispenser (Wall Mount Only)	_____
K-121	Single Hole, Splash Mounted 3-1/2" Gooseneck Spout	_____
K-411	Strainer Plate for 3-1/2" Drain	_____
K-508	Special Sizing Charge (<i>Larger Size Cut Down To Smaller Size</i>)	_____
TA-19	Adjustable Stainless Steel Flanged Bullet Foot	_____



= Ships UPS

Standard Faucets conform to NSF 61 Standard 9 and compliance to AB 1953 Standards.

WARNING: Equipment that include faucets on this page may contain a chemical known to the State of California to cause cancer, birth defects or other reproductive harm.



Customer Service Available To Assist You **1-800-645-3166** 8:30 am - 7:00 pm E.S.T.

For Orders & Customer Service:

Email: customer@advancetabco.com or Fax: 631-242-6900

For Smart Fabrication™ Quotes:

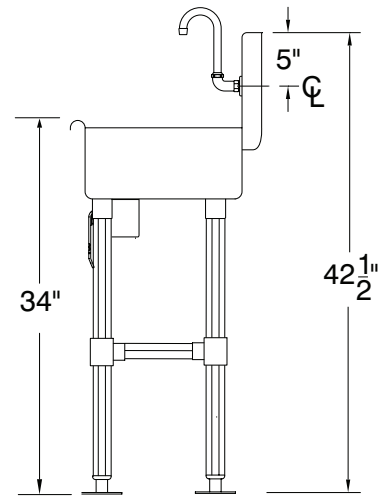
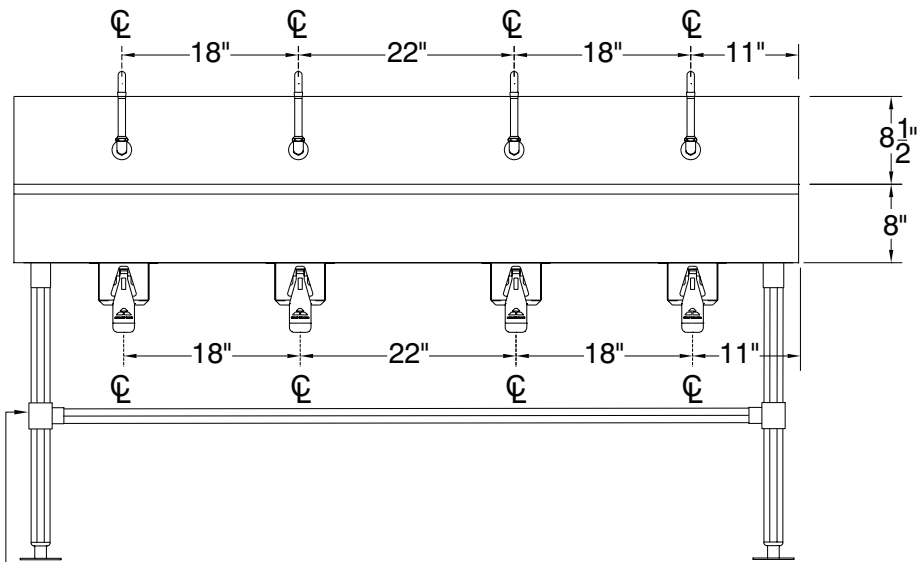
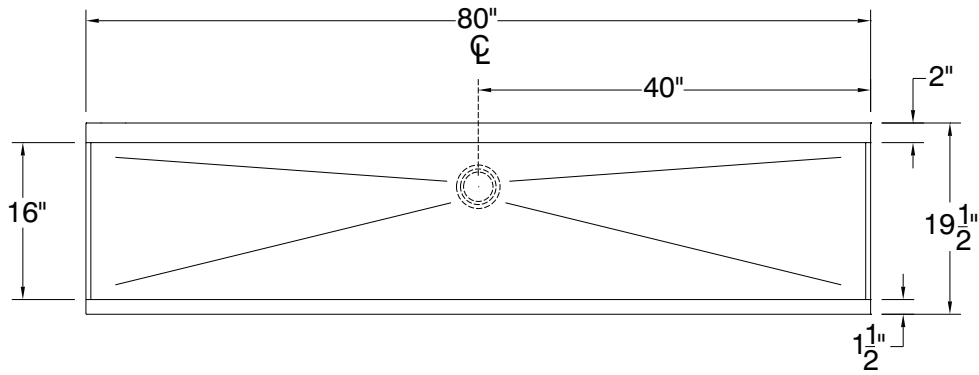
Email: smartfab@advancetabco.com or Fax: 631-586-2933

DETAILS and SPECIFICATIONS

TOL ± .500"

ALL DIMENSIONS ARE TYPICAL

19-FM-80KV



Stainless Steel Rear & Sides
Adjustable Cross-Bracing

152 Lbs.

